



---

ICE STORAGE BIN

**B-210SA**

# **PARTS LIST**

[HE]

G015

J-1 FEB. 2019

G015-4696 (0219)

**List of Specifications**

MODEL	MODEL NUMBER	SPEC
B-210SA	G015	Standard

## AUXILIARY CODE

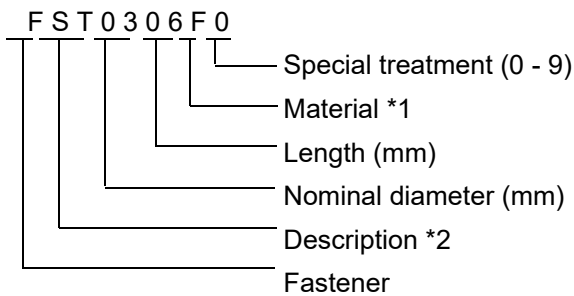
U - 1

The auxiliary code is the first two characters in the serial number. The first character indicates the production year. Years progress or regress in alphabetical order. The series of letters and skipped letters depend on UL listing, production, and model. See the auxiliary code(s) and corresponding year(s) on the front cover.

The second character indicates significant part changes within the same year. Base is "1" and this number advances for each change. If there is no significant part change at the turn of the year, this number starts from "0."

## FASTENER PART NUMBER

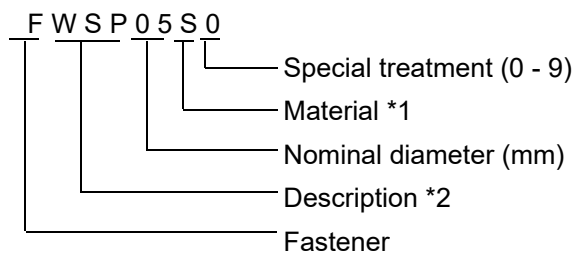
### SCREWS



\*<sub>1</sub> Material

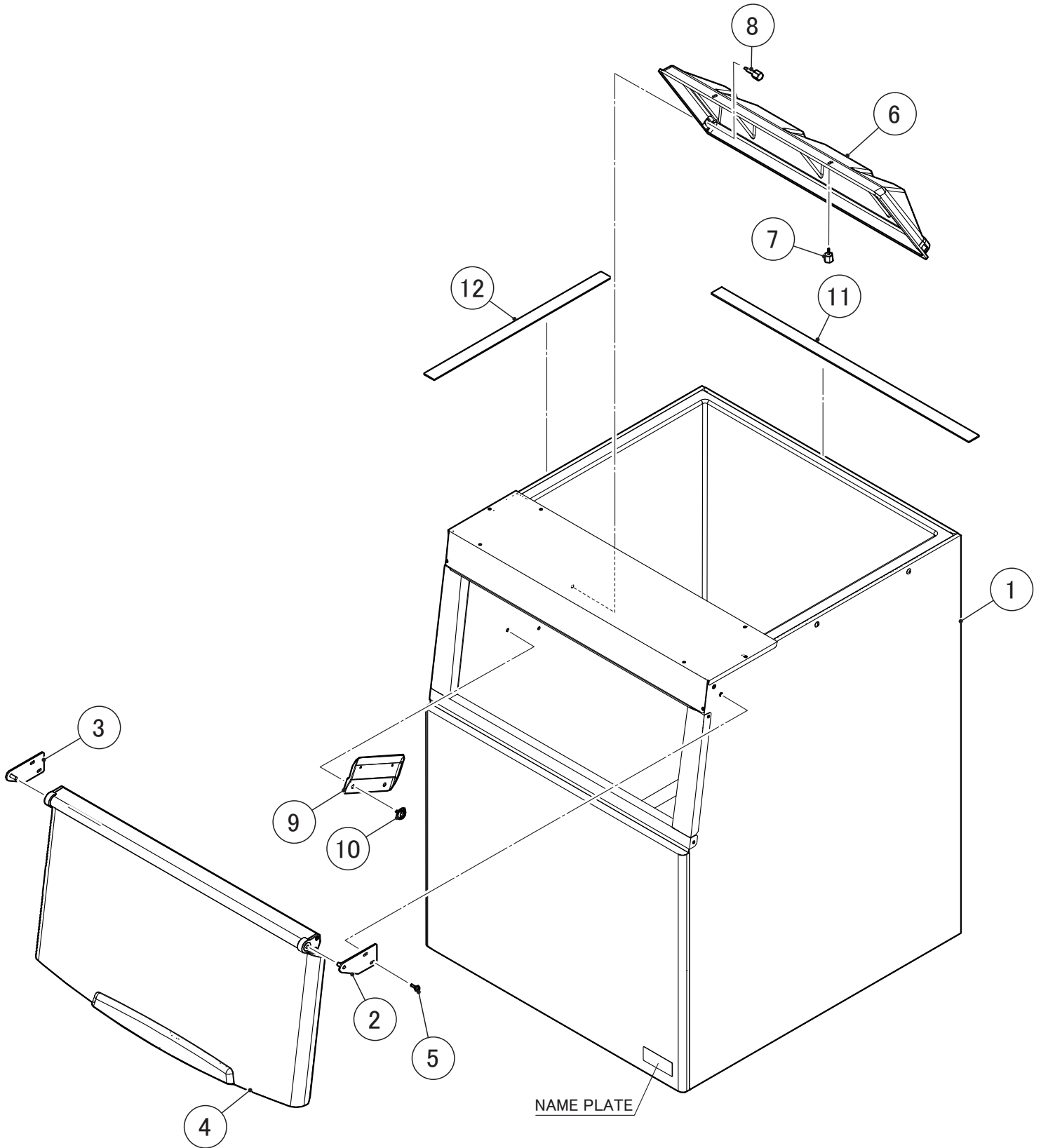
F: Steel  
S: Austenitic stainless steel  
M: Martensitic stainless steel  
B: Copper alloy  
P: Polycarbonate  
N: Polyamide  
V: PVC  
A: ABS  
X: Polyacetal  
L: Aluminum

### NUTS & WASHERS

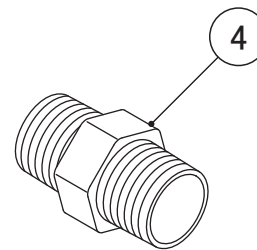
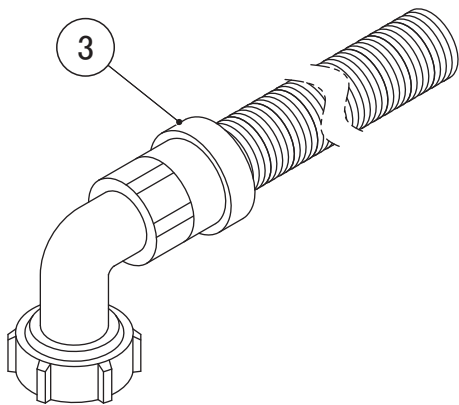
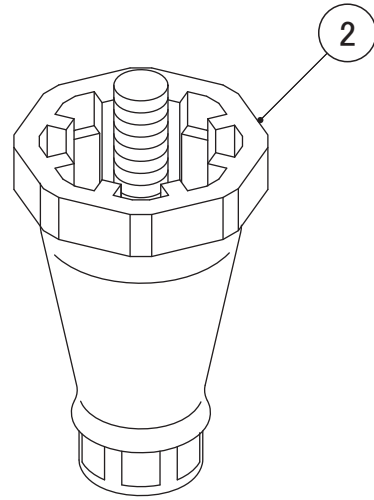
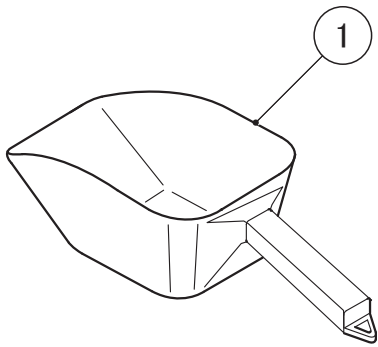


\*<sub>2</sub> Description

First letter  
S: Machine screw  
T: Tapping screw  
M: Wood screw  
B: Bolt  
W: Washer  
N: Nut







MODEL: **B-210SA**

TITLE: **B. ACCESSORIES**

INDEX NO.	DESCRIPTION	MATERIAL OR MODEL NUMBER	PART NUMBER	REQ'D NUMBER			
				J-1 and later			
1	SCOOP		208185-01	1			
2	LEG		446729-01	4			
3	OUTLET HOSE		452365-01	1			
4	NIPPLE		4H6125-01	1			