



MODULAR CUBER

## PARTS LIST

[HE]

M071-D008, M071-D009, M071-D010, M071-D011,  
M071-D012, M071-D013, M071-D014, M071-D015,  
M071-D024, M071-D025, M071-D108, M071-D109,  
M071-D110, M071-D111, M071-D112, M071-D113,  
M071-D114, M071-D115, M071-D124, M071-D125,  
M071-D208, M071-D209, M071-D214, M071-D215,

IM-240DWNE-HC  
IM-240DWNE-HC-21  
IM-240DWNE-HC-23  
IM-240DWNE-HC-32  
IM-240DWNE-HC-C  
IM-240XWNE-HC  
IM-240XWNE-HC-21  
IM-240XWNE-HC-23  
IM-240XWNE-HC-32  
IM-240XWNE-HC-C  
IM-240DWNE-HC-SN  
IM-240XWNE-HC-SN  
IM-240DWNE-HC-32-SN  
IM-240XWNE-HC-32-SN

K-0 APR. 2020  
K-1 OCT. 2020  
L-1 DEC. 2021

## List of Specifications

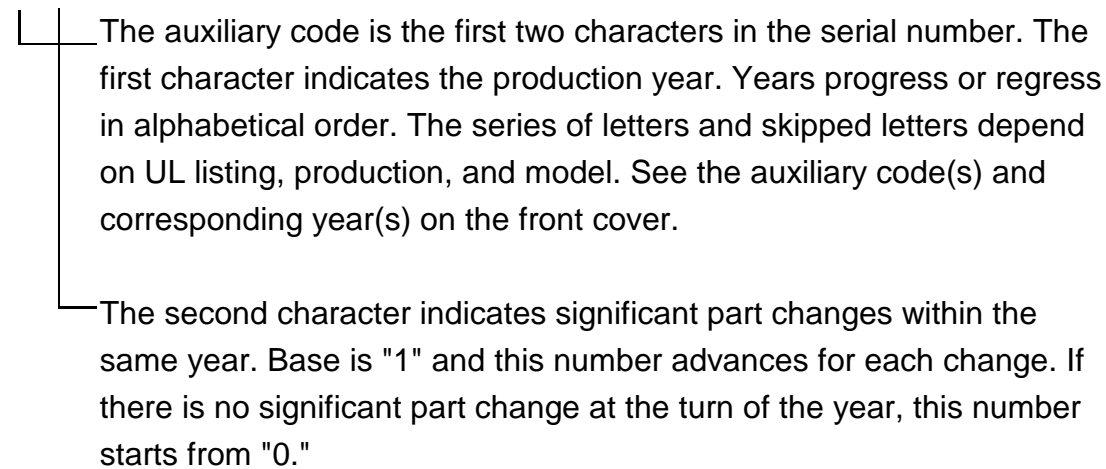
MODEL	MODEL NUMBER	SPEC
IM-240DWNE-HC	M071-D008	Standard
IM-240XWNE-HC	M071-D009	X TYPE of IM-240DWNE-HC
IM-240DWNE-HC-23	M071-D010	23mm ICE of IM-240DWNE-HC
IM-240XWNE-HC-23	M071-D011	23mm ICE of IM-240XWNE-HC
IM-240DWNE-HC-21	M071-D012	21mm ICE of IM-240DWNE-HC
IM-240XWNE-HC-21	M071-D013	21mm ICE of IM-240XWNE-HC
IM-240DWNE-HC-32	M071-D014	32mm ICE of IM-240DWNE-HC
IM-240XWNE-HC-32	M071-D015	32mm ICE of IM-240XWNE-HC
IM-240DWNE-HC-C	M071-D024	Cylinder ICE of IM-240DWNE-HC
IM-240XWNE-HC-C	M071-D025	Cylinder ICE of IM-240XWNE-HC
IM-240DWNE-HC-SN	M071-D208	Ti Evaporator
IM-240XWNE-HC-SN	M071-D209	X TYPE of IM-240DWNE-HC Ti Evaporator
IM-240DWNE-HC-32-SN	M071-D214	32mm ICE of IM-240DWNE-HC Ti Evaporator
IM-240XWNE-HC-32-SN	M071-D215	32mm ICE of IM-240XWNE-HC Ti Evaporator

**List of Specifications \*Stainless frame standard model**

MODEL	MODEL NUMBER	SPEC
IM-240DWNE-HC	M071-D108	Standard
IM-240XWNE-HC	M071-D109	X TYPE of IM-240DWNE-HC
IM-240DWNE-HC-23	M071-D110	23mm ICE of IM-240DWNE-HC
IM-240XWNE-HC-23	M071-D111	23mm ICE of IM-240XWNE-HC
IM-240DWNE-HC-21	M071-D112	21mm ICE of IM-240DWNE-HC
IM-240XWNE-HC-21	M071-D113	21mm ICE of IM-240XWNE-HC
IM-240DWNE-HC-32	M071-D114	32mm ICE of IM-240DWNE-HC
IM-240XWNE-HC-32	M071-D115	32mm ICE of IM-240XWNE-HC
IM-240DWNE-HC-C	M071-D124	Cylinder ICE of IM-240DWNE-HC
IM-240XWNE-HC-C	M071-D125	Cylinder ICE of IM-240XWNE-HC

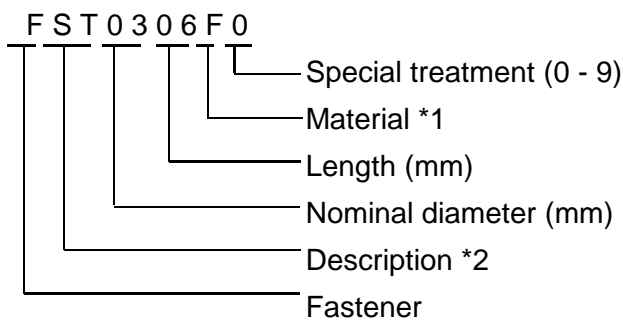
## AUXILIARY CODE

U - 1



## FASTENER PART NUMBER

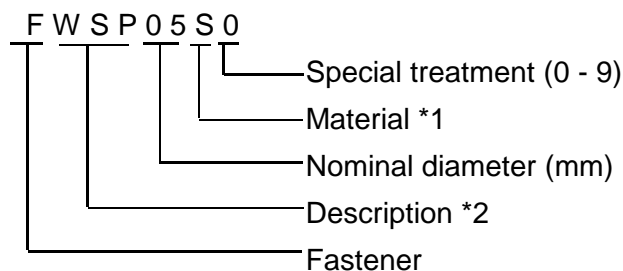
### SCREWS



\*1

F: Steel  
S: Austenitic stainless steel  
M: Martensitic stainless steel  
B: Copper alloy  
P: Polycarbonate  
N: Polyamide  
V: PVC  
A: ABS  
X: Polyacetal  
L: Aluminum

### NUTS & WASHERS

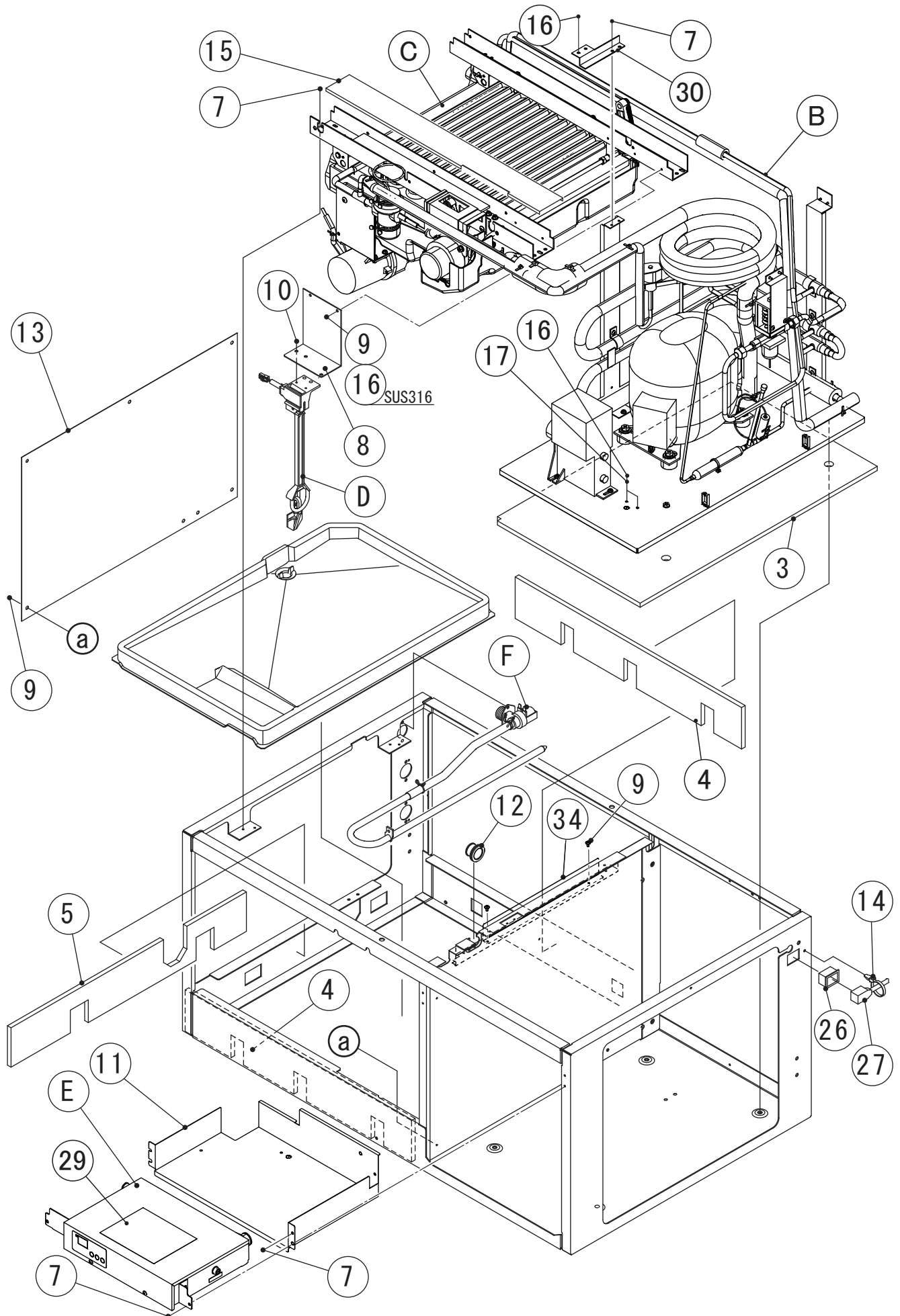


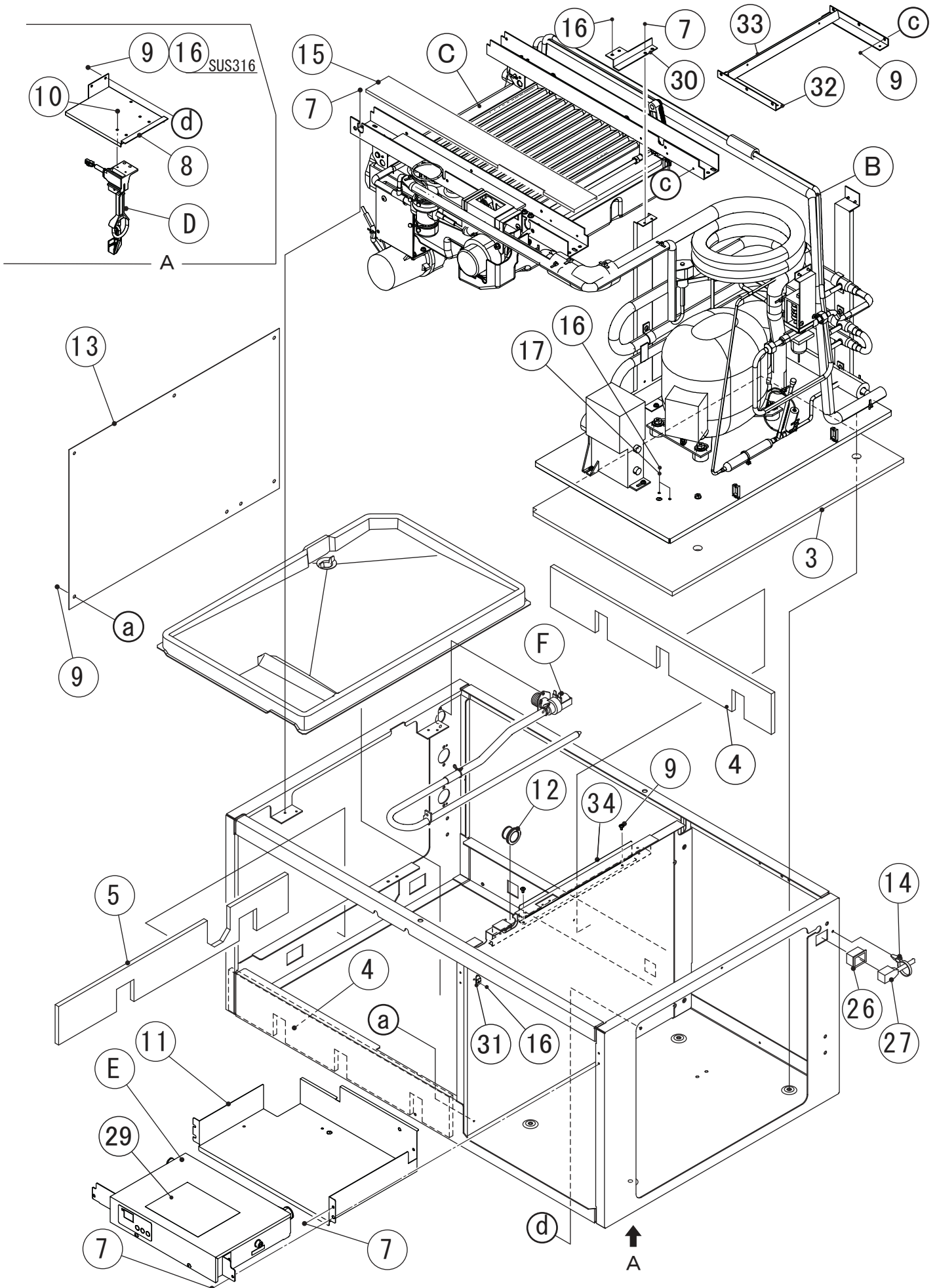
\*2

First letter  
S: Machine screw  
T: Tapping screw  
M: Wood screw  
B: Bolt  
W: Washer  
N: Nut

A. ICE CUBER ASSY (1/2)

(K-0) and later

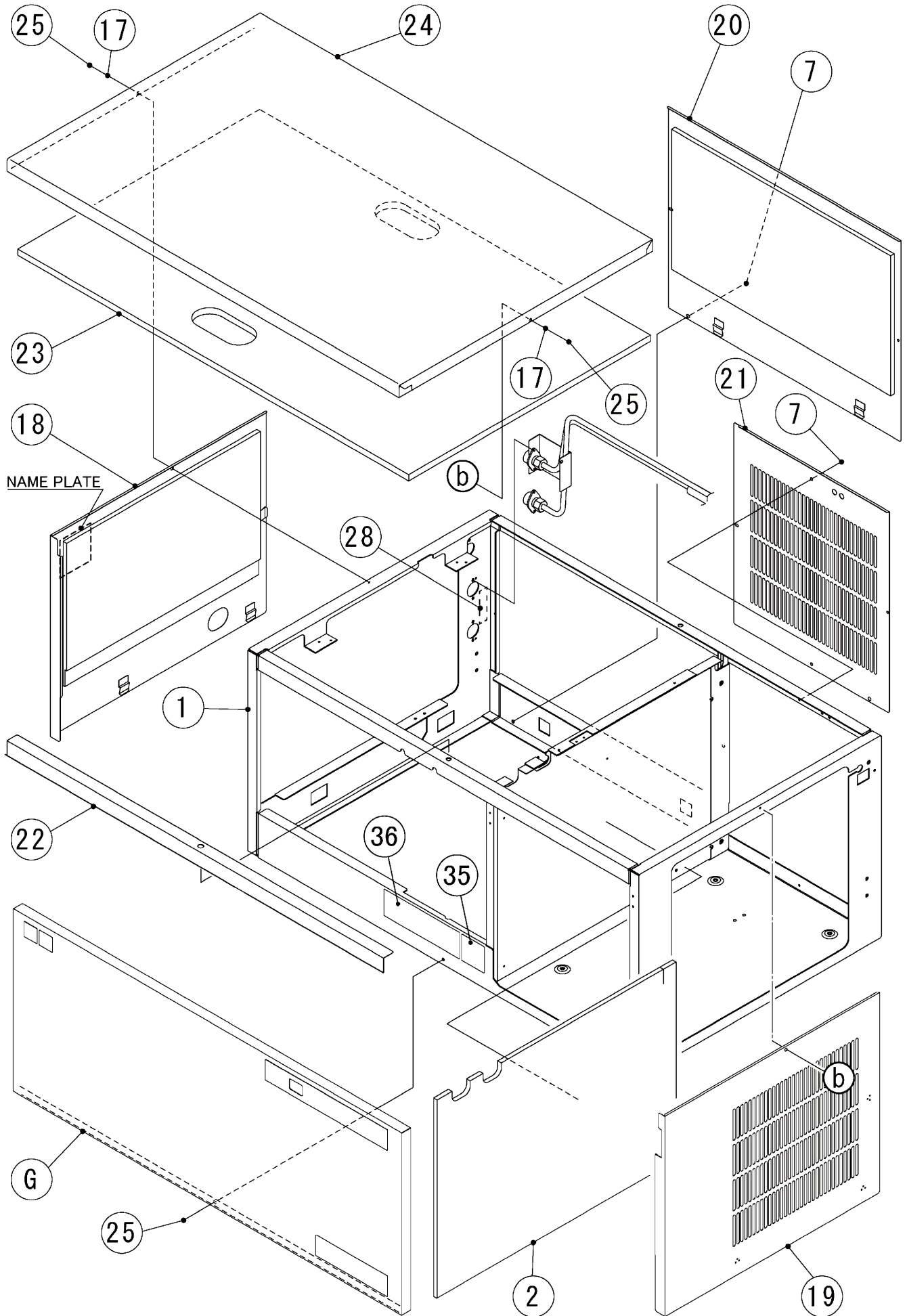




IM-240DWNE-HC (-C, -21, -23, -32)

IM-240XWNE-HC (-C, -21, -23, -32)

A. ICE CUBER ASSY (2/2) (K-0) and later



MODEL : IM-240DWNE-HC(-C,-21,-23,-32)  
IM-240XWNE-HC(-C,-21,-23,-32)

TITLE : A. ICE CUBER ASSY

INDEX NO.	DESCRIPTION	MATERIAL OR MODEL NUMBER	PART NUMBER	REQ'D NUMBER				
				K-0	K-1			
B	REFRIGERATION ASSY		1H6346A01	1	1			
		Cylinder ICE	1E0009A01	1	1			
C	MECHANISM ASSY		1H4669A01	1	-			
			1E0020A01	-	1			
		Cylinder ICE	1H4679A01	1	-			
			1E0020A01	-	1			
D	BIN SWITCH ASSY	DWNE	3Y5222A01	1	1			
		XWNE	3Y5244A01	1	1			
E	CONTROL BOX ASSY		2X2961A03	1	1			
F	WATER CIRCUIT ASSY		2H9942A01	1	1			
		Cylinder ICE	2H9942A02	1	1			
G	FRONT COVER		2X4278A01	1	1			
1	UNIT FRAME		1H4667G01	1	-			
			1E0007G01	-	1			
2	INSULATION - SEPARATOR		3Y5008P01	1	1			
3	INSULATION - CHASSIS		4Y6574P01	1	1			
4	INSULATION - FRAME		4Y5945P01	2	2			
5	INSULATION - SIDEFAME L		4Y5944P01	1	1			
7	FLANGE BOLT (C-TITE)		FTR0408M0	18	18			
8	BRACKET - BIN CONTROL SWITCH	DWNE	4Y7486M01	1	1			
		XWNE	4Y5943M01	1	1			
9	TRUSS HEAD TAPPING SCREW T2	DWNE	FT20408S0	9	-			
				-	2			
		XWNE		15	-			
				-	4			
10	TRUSS HEAD TAPPING SCREW T2		FT20412S0	2	2			
11	UNIT BOX		2X4276M01	1	1			
12	GROMMET		4H2568-01	1	1			
13	PROTECTOR - SEPARATOR		390519P01	1	1			
14	PUSH MOUNT TIE	T30RSF	436156-01	1	1			
15	GUIDE - CONNECTOR	XWNE	312762-01	1	1			
16	TRUSS HEAD MACHINE SCREW	DWNE	FST0408S0	5	-			
				-	2			
		XWNE		6	-			
				-	4			
17	SPRING WASHER		FWSP04S0	5	5			



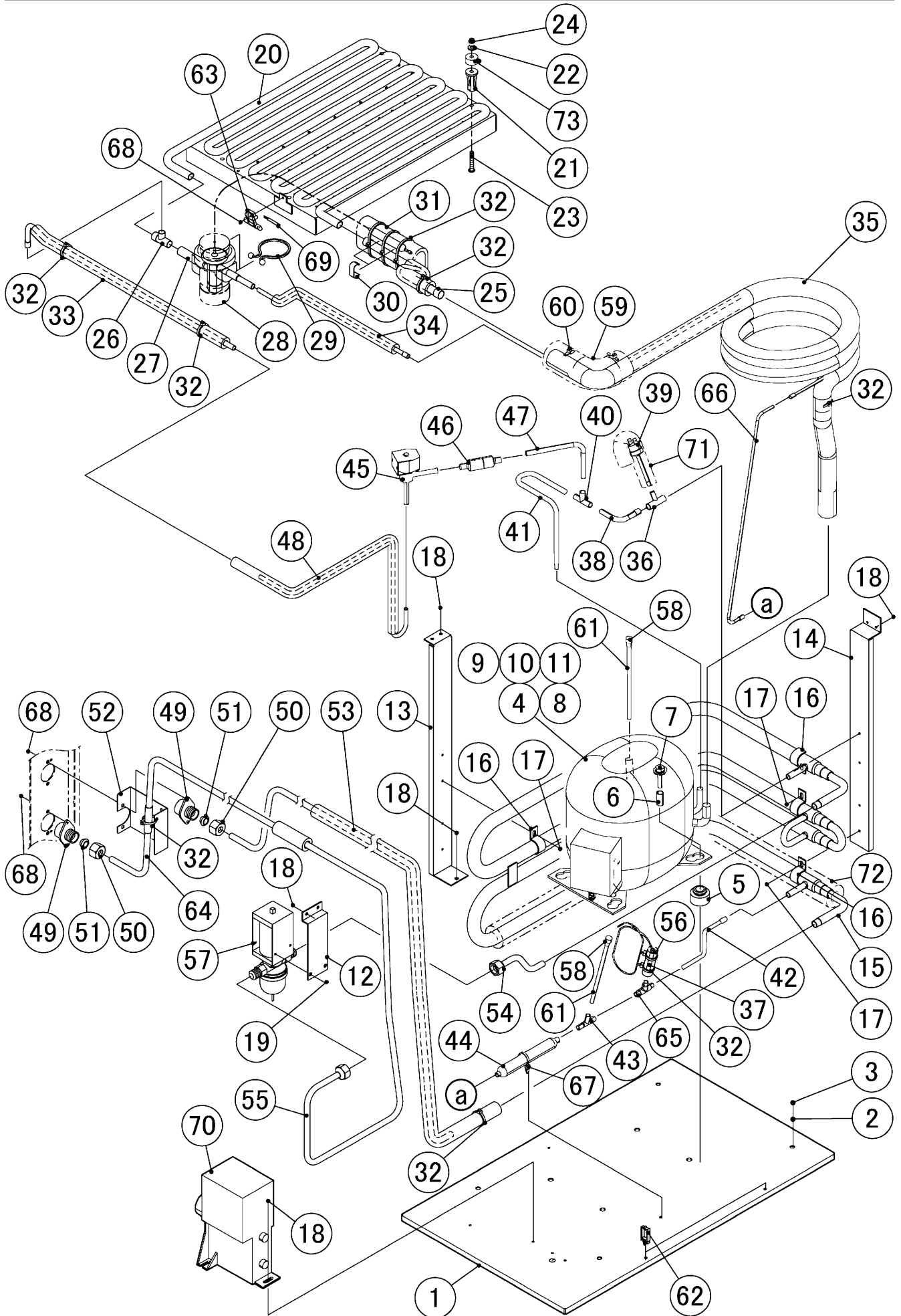


IM-240DWNE-HC (-21, -23, -32)

IM-240XWNE-HC (-21, -23, -32)

B. REFRIGERATION ASSY

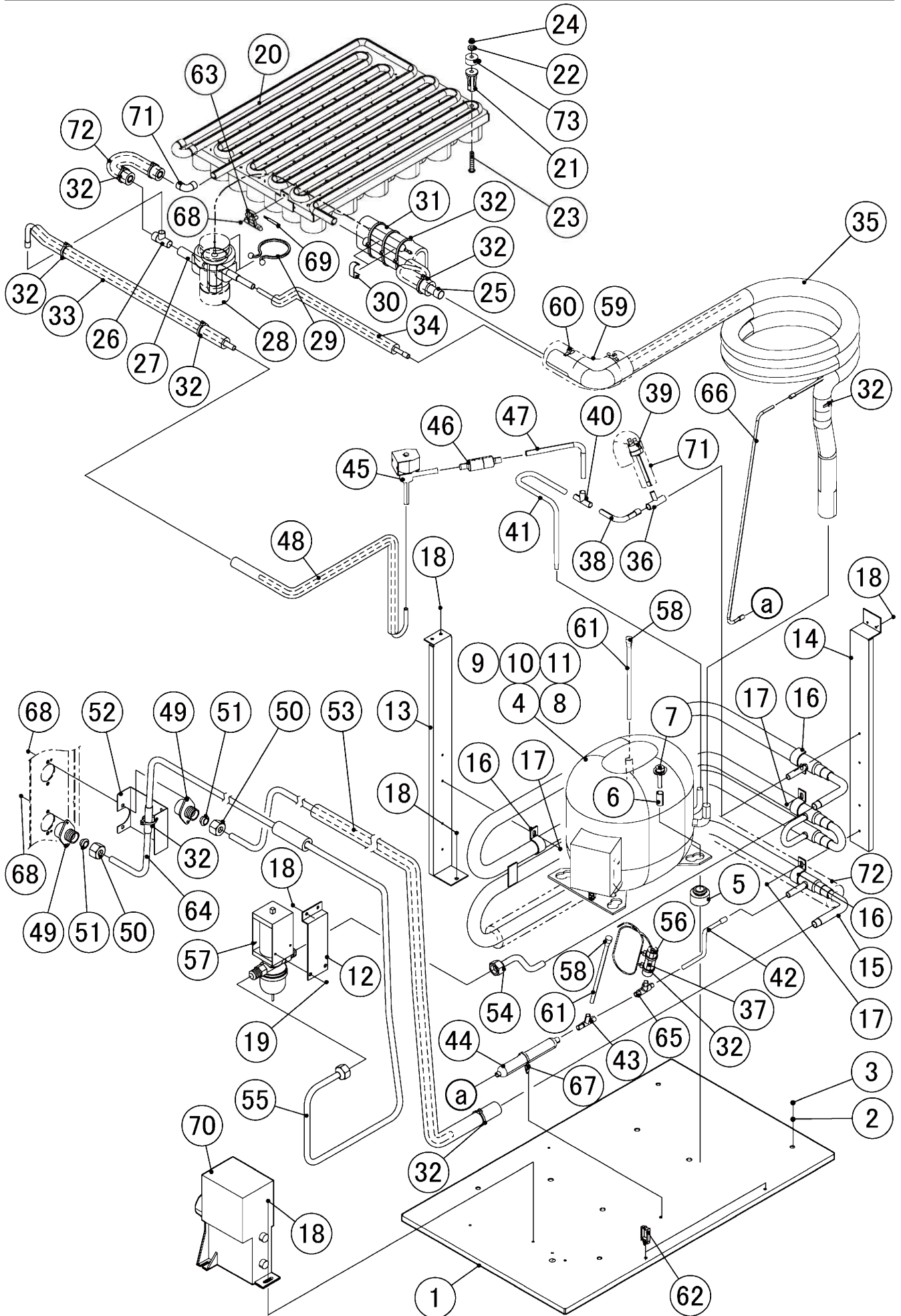
(K-0) and later



IM-240DWNE-HC-C  
IM-240XWNE-HC-C

B. REFRIGERATION ASSY

(K-0) and later



MODEL : IM-240DWNE-HC(-C,-21,-23,-32)  
IM-240XWNE-HC(-C,-21,-23,-32)

TITLE : **B. REFRIGERATION ASSY**

INDEX NO.	DESCRIPTION	MATERIAL OR MODEL NUMBER	PART NUMBER	REQ'D NUMBER				
				K-0	K-1 L-0	L-1		
1	BASE		3Z1733G01	1	1	1		
2	FLAT WASHER		FWPL06N0	4	4	4		
3	HEX HEAD BOLT		FBH0612S0	4	4	4		
4	COMPRESSOR		P02809-01	1	1	1		
5	GROMMET		P00846-01	4	4	4		
6	SPACER		P00847-01	4	4	4		
7	BOLT		436206-03	4	4	4		
8	PROTECTOR		P02812-01	1	1	1		
9	PROTECTOR RETAINER		P02815-01	1	1	1		
10	SCREW		P00840-01	1	1	1		
11	TERMINAL COVER		P02814-01	1	1	1		
12	REGULATOR - BRACKET		4Y2441-01	1	1	1		
13	BRACKET - CONDENSER W		3Z1734M01	1	1	1		
14	BRACKET - CONDENSER W		3Y5082M01	1	1	1		
15	CONDENSER - WATER COOLED		2X4255G01	1	1	1		
16	CLAMP(B) - CONDENSER		4H0622-01	4	4	4		
17	TRUSS HEAD TAPPING SCREW T2		FT20408F0	4	4	4		
18	FLANGE BOLT (C-TITE)		FTR0408M0	7	7	7		
19	PAN HEAD SCREW		FSP0406S0	2	2	2		
20	EVAPORATOR		2X2459G01	1	1	1		
		240DWNE-HC-SN 240XWNE-HC-SN	2E0046G01	-	-	1		
		21mm ICE	2X2532G01	1	1	1		
		23mm ICE	2X2594G01	1	1	1		
		32mm ICE	2X2605G01	1	1	1		
		240DWNE-HC-32-SN 240XWNE-HC-32-SN	2E0090G01	-	-	1		
		Cylinder ICE	2H9949G01	1	1	1		
21	COLLAR		3H3879-01	4	4	4		
	SPACER	Cylinder ICE	4H0471-01	4	4	4		
22	WASHER		4H0777-01	4	4	4		
23	SCREW EVAPORATOR		4Y4922M02	4	4	4		
		21mm ICE 23mm ICE	4Y4922M03	4	4	4		
		Cylinder ICE	4Y4922M01	4	4	4		
24	FLANGE NUT		FNHF06S0	4	4	4		
25	PIPE(B) - LOW SIDE		4Y9552G01	1	1	1		
26	TEE		420041-06	1	1	1		

MODEL : IM-240DWNE-HC(-C,-21,-23,-32)  
IM-240XWNE-HC(-C,-21,-23,-32)

TITLE : **B. REFRIGERATION ASSY**

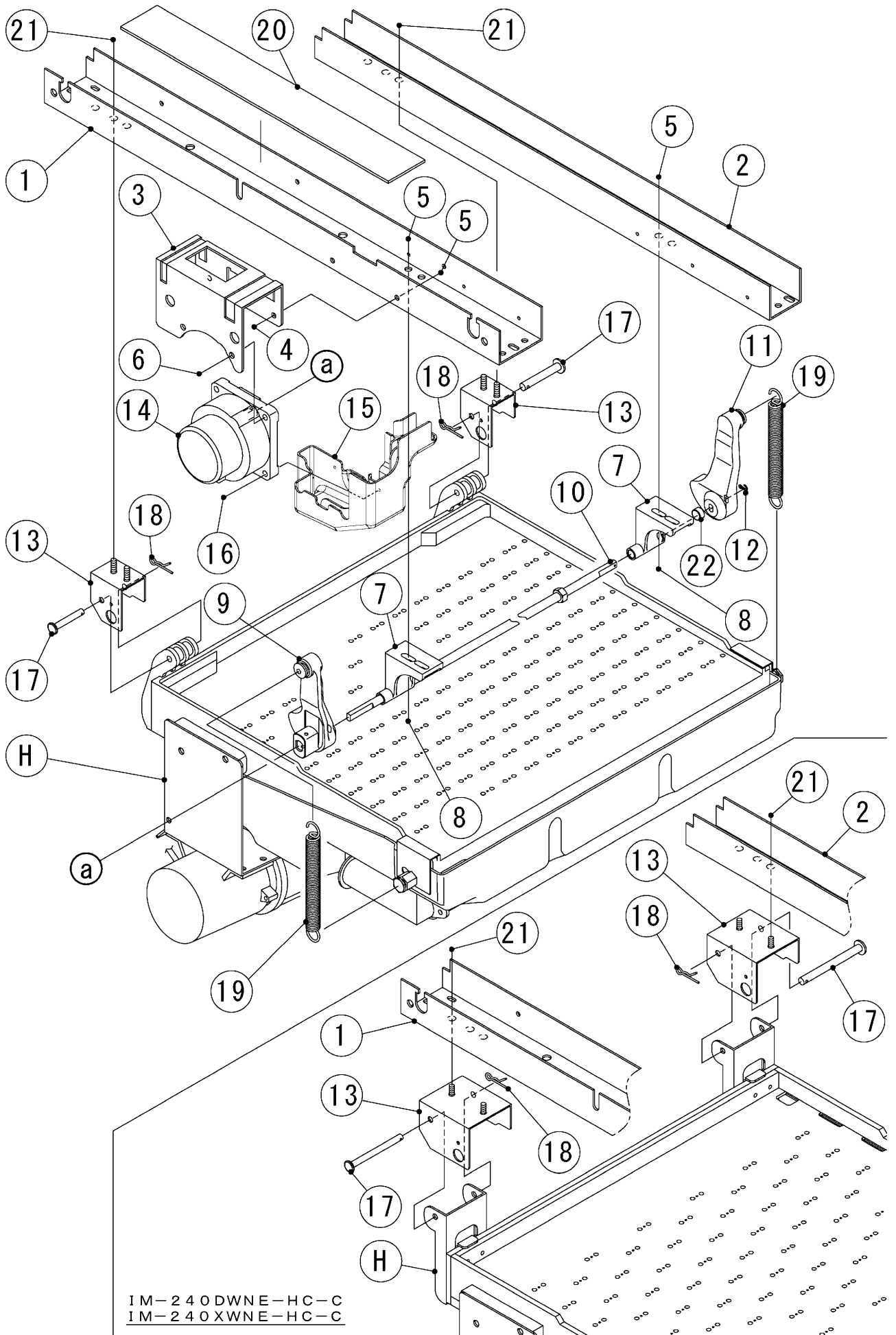
INDEX NO.	DESCRIPTION	MATERIAL OR MODEL NUMBER	PART NUMBER	REQ'D NUMBER				
				K-0	K-1 L-0	L-1		
27	EXPANSION VALVE	FRE-3KHD-1	P03545-01	1	1	1		
28	VALVE COVER		3Y3051P01	1	1	1		
29	CLAMP	18T6	P00752-01	2	2	2		
30	CLIP		452254-02	2	2	2		
31	INSULATION		4X8643-01	1	1	1		
32	TIE		7920-0003	17	17	17		
33	PIPE(C) - HOT GAS		3Y5069G01	1	1	1		
34	PIPE(C) - HIGH SIDE		3Y5067G01	1	1	1		
35	HEAT EXCHANGER		2X4274G01	1	1	1		
36	TEE		420041-05	1	1	1		
37	SLEEVE		441322-01	1	1	1		
38	COPPER TUBE(A-2)-HIGH SIDE		4Z1070M01	1	1	1		
39	PRESSURE SWITCH	R134a,R22,R404A,R 290 SEP-P230HHD-2	459863-08	1	1	1		
40	TEE		420041-11	1	1	1		
41	COPPER TUBE(A)-HIGH SIDE		4Z1071M01	1	1	1		
42	COPPER TUBE(B)-HIGH SIDE		4Z1072M01	1	1	1		
43	TEE		4Y4060Z01	1	1	1		
44	DRIER		458776-01	1	1	1		
45	HOT GAS VALVE		P04242-01	1	1	1		
46	STRAINER		P00812-01	1	1	1		
47	COPPER TUBE(A)-HOT GAS		4Z1073M01	1	1	1		
48	PIPE(B) - HOT GAS		3Y5135G01	1	1	1		
49	FITTING(P)		3Y0747-01	2	2	2		
50	NUT (A) - FITTING		415713-03	2	2	2		
51	TAPPERED PACKING		415715-01	2	2	2		
52	BRACKET - WATER PIPE		4X4457-01	1	1	1		
53	PIPE(A) - WATER LINE		2X0101G01	1	1	1		
54	PIPE - WATER LINE(B)		4Y5974G01	1	1	1		
55	PIPE(C) - WATER LINE		2X0102G01	1	1	1		
56	INSULATION - CAP		H71020A55	1	1	1		
57	WATER REGULATOR		P05382-01	1	1	1		
58	LOCKRING STOPPER		P01677-01	2	2	2		
59	INSULATION TUBE		H72949B15	1	1	1		
60	NYLON TIE		7920-0010	2	2	2		
61	PROCESS TUBE		4Y0273-01	2	2	2		



IM-240DWNE-HC (-C, -21, -23, -32)  
IM-240XWNE-HC (-C, -21, -23, -32)

C. MECHANISM ASSY

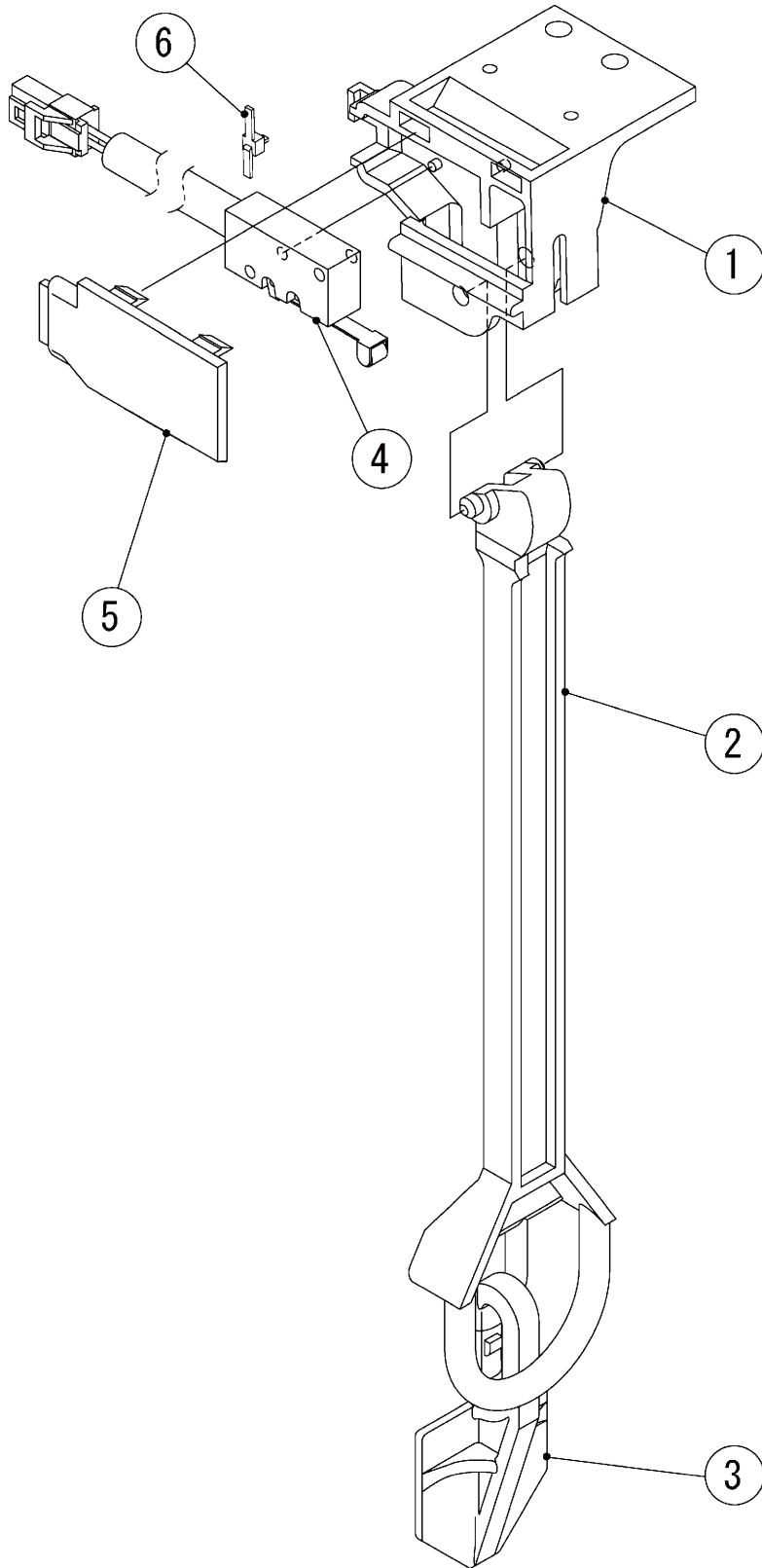
(K-0) and later



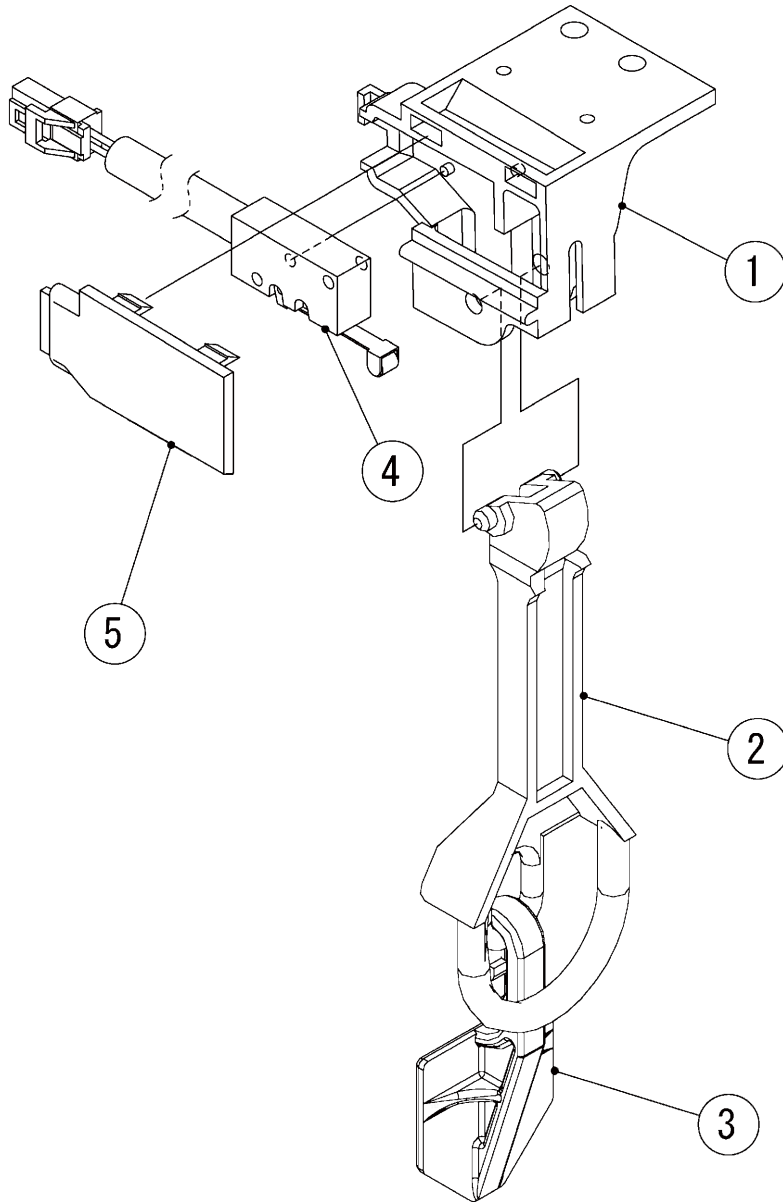




D. BIN SWITCH ASSY



D. BIN SWITCH ASSY

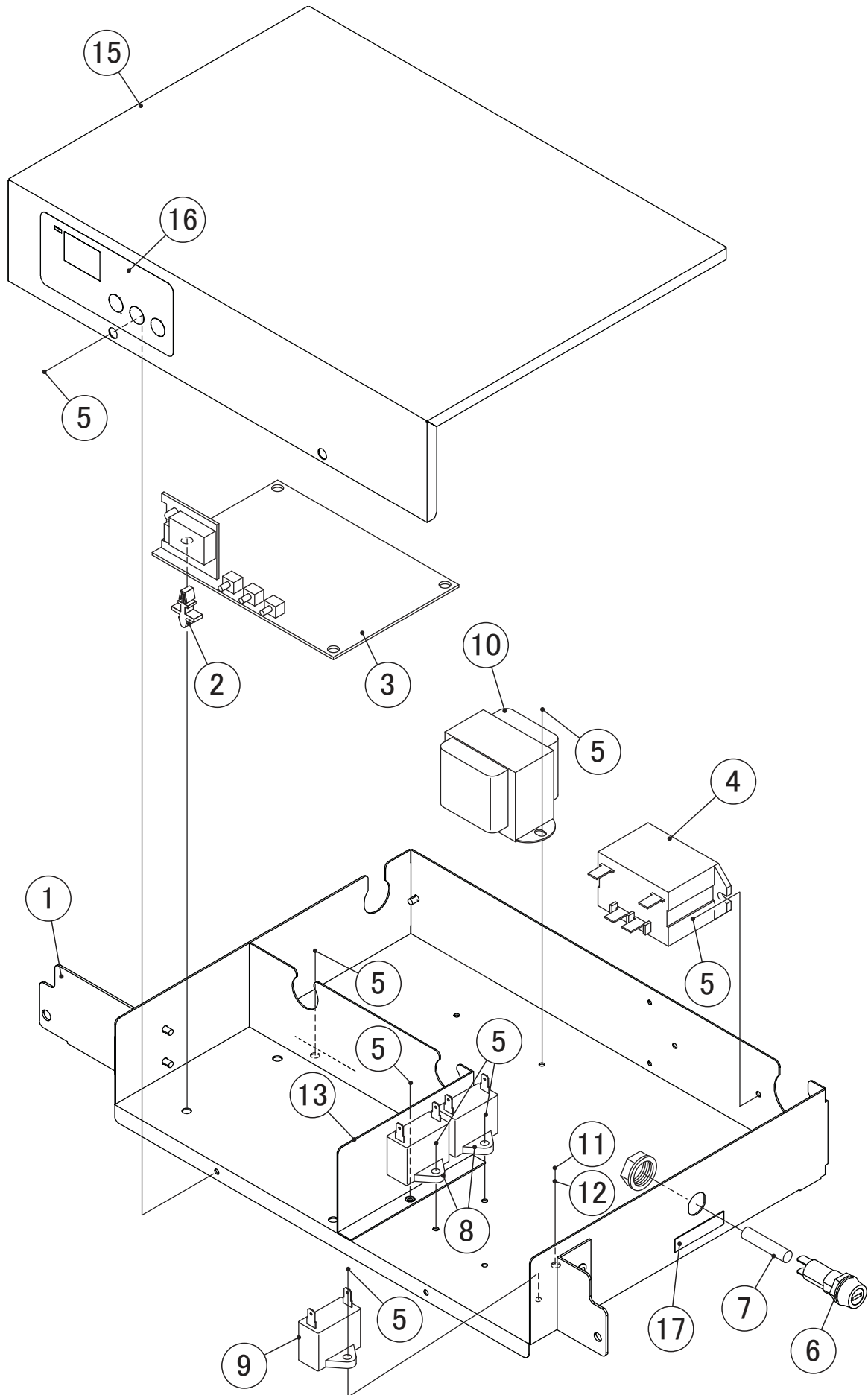




IM-240DWNE-HC (-C, -21, -23, -32)  
IM-240XWNE-HC (-C, -21, -23, -32)

### E. CONTROL BOX ASSY

(K-0) and later

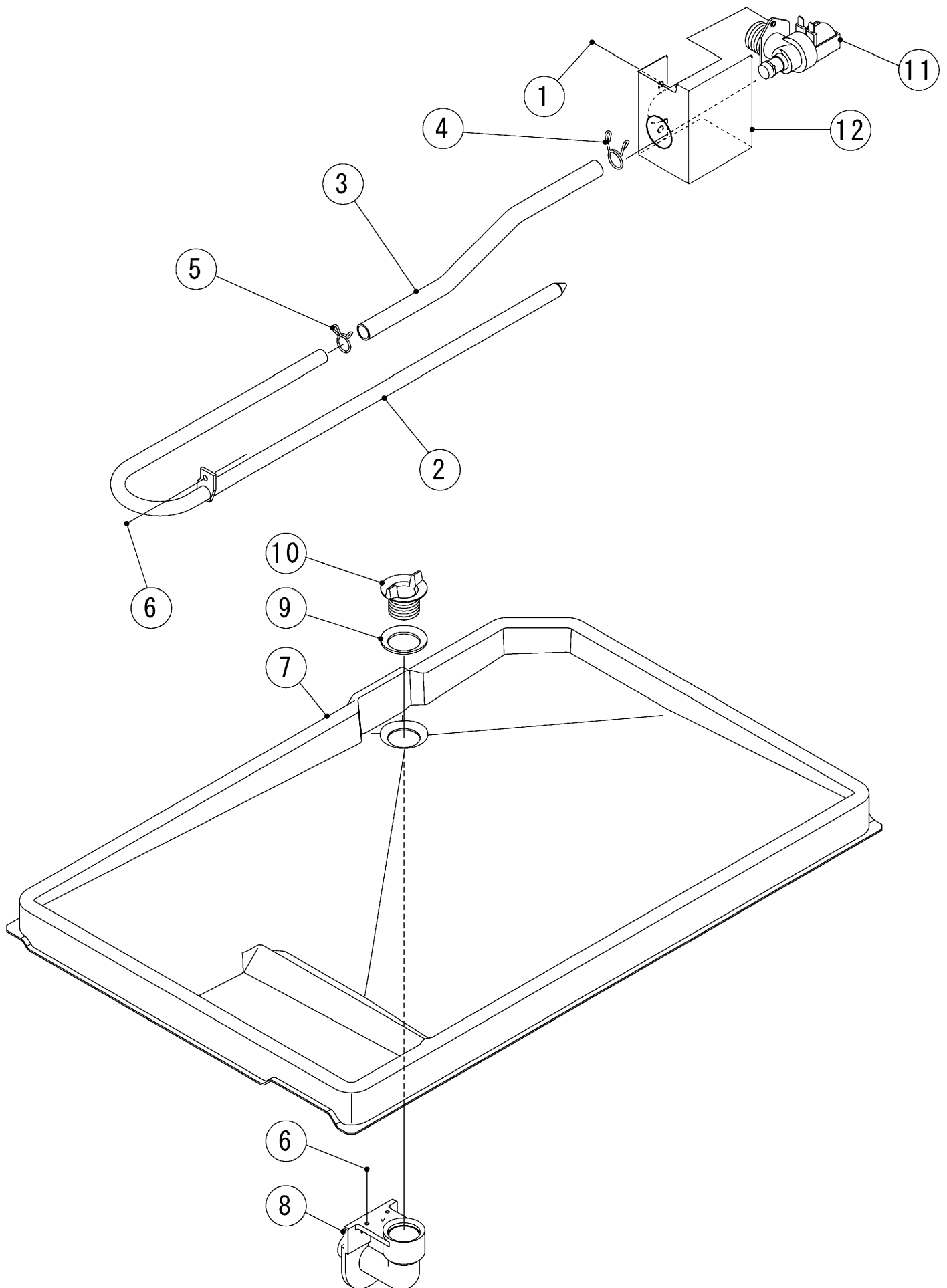




IM-240DWNE-HC (-C, -21, -23, -32)

IM-240XWNE-HC (-C, -21, -23, -32)

F. WATER CIRCUIT ASSY (K-0) and later

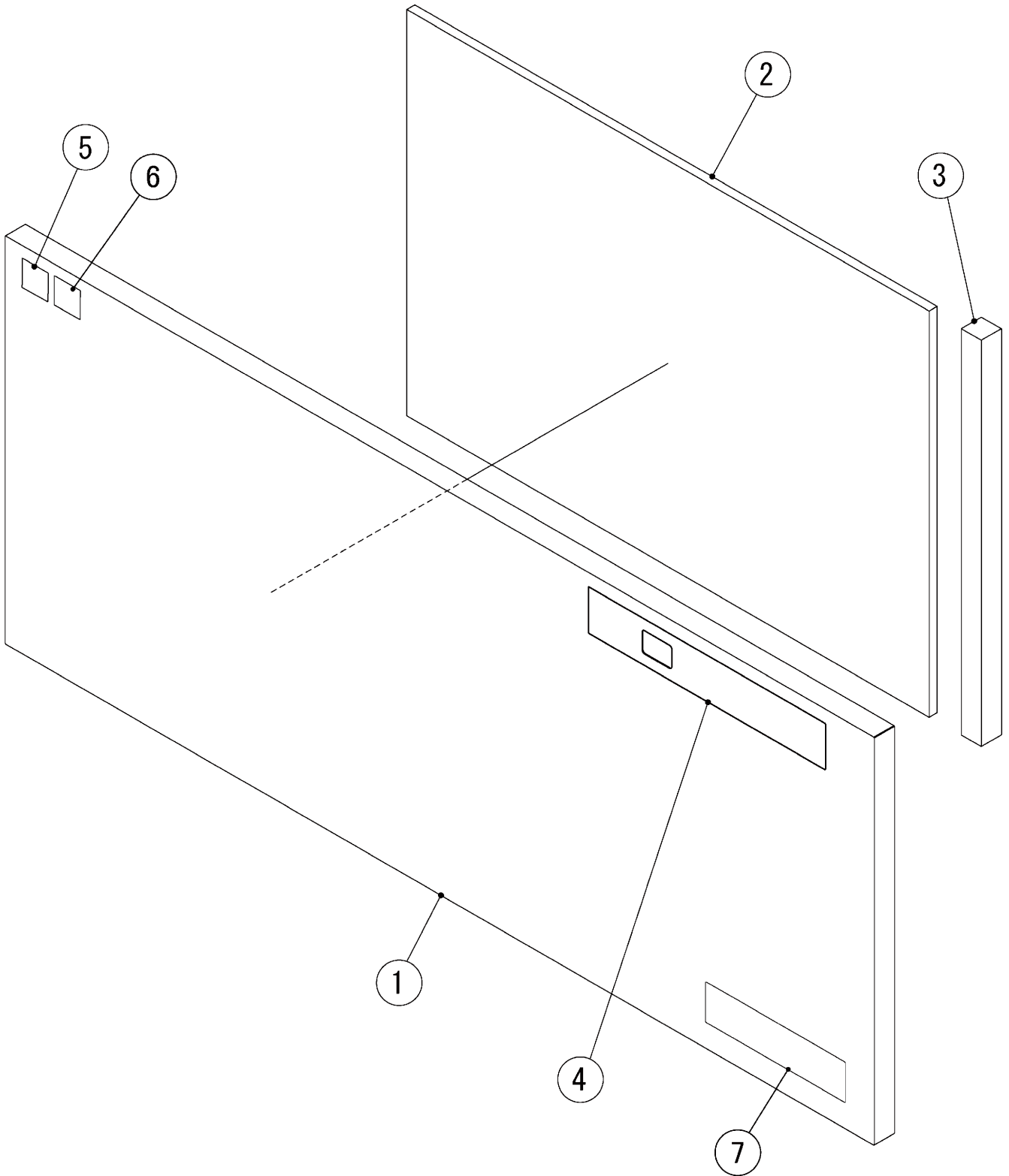




IM-240DWNE-HC (-C, -21, -23, -32)  
IM-240XWNE-HC (-C, -21, -23, -32)

### G. FRONT COVER

(K-0) and later





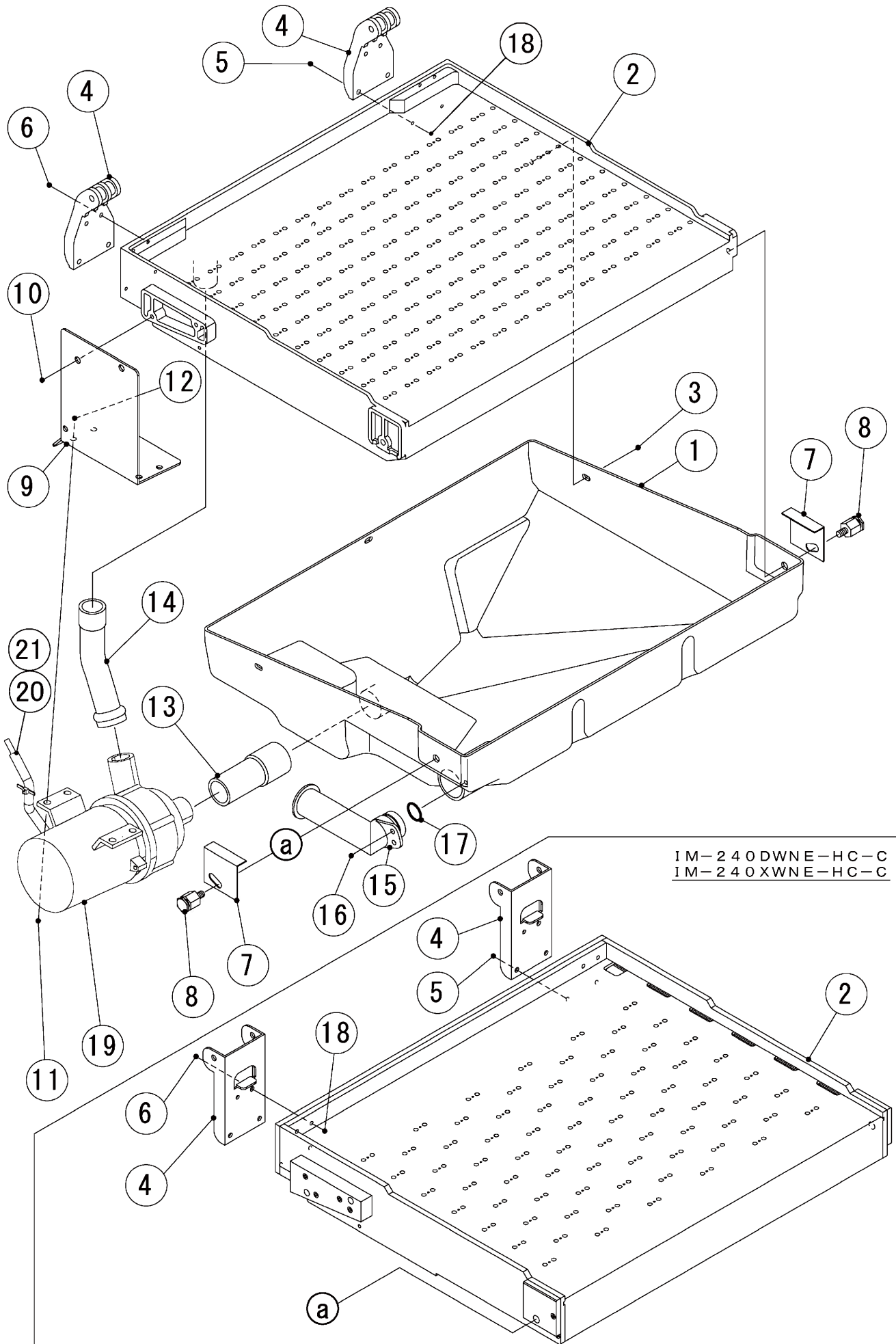


IM-240DWNE-HC (-C, -21, -23, -32)

IM-240XWNE-HC (-C, -21, -23, -32)

### H. WATER PAN ASSY

(K-0) and later

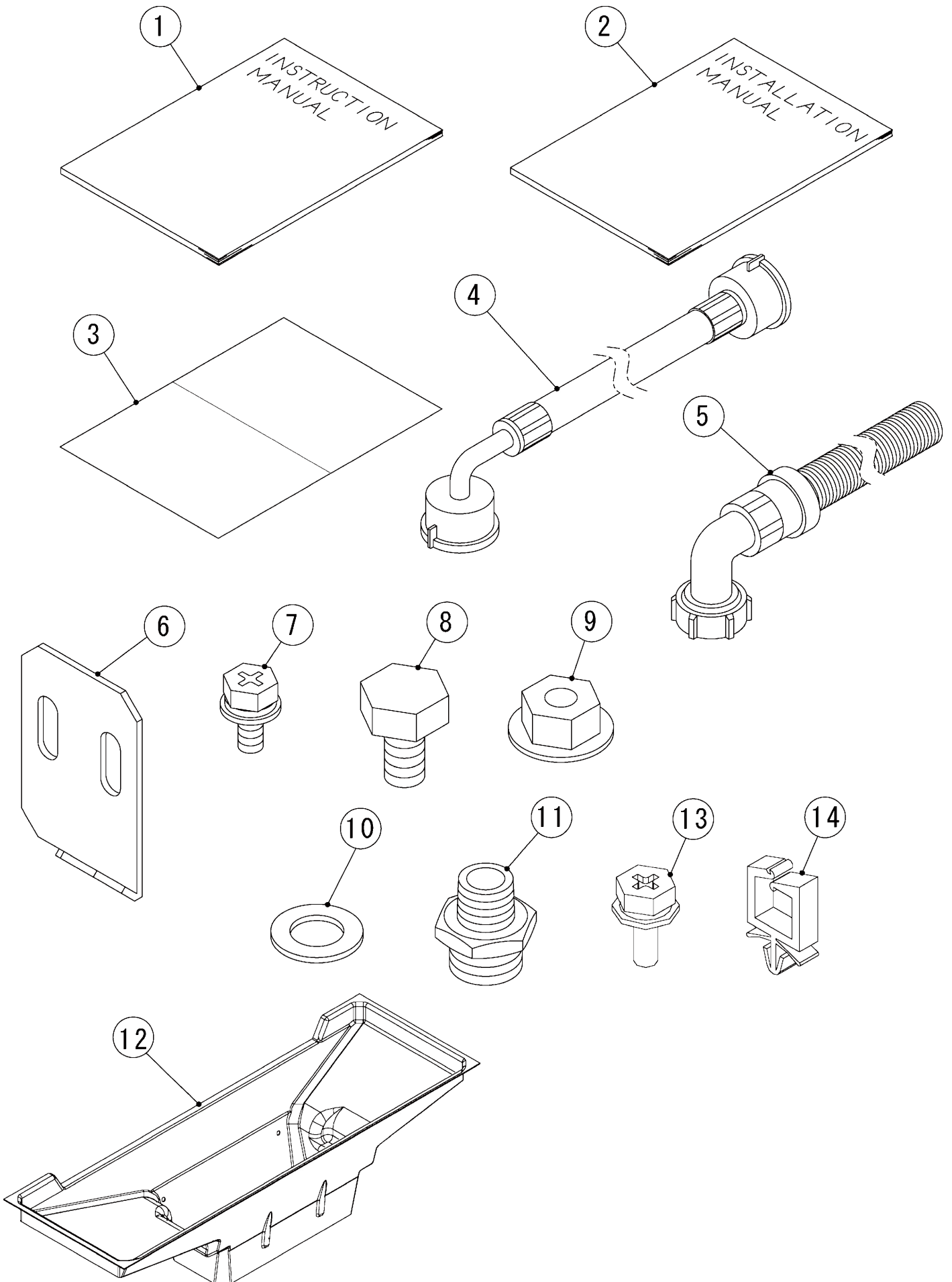




IM-240DWNE-HC (-C, -21, -23, -32)  
IM-240XWNE-HC (-C, -21, -23, -32)

### J. ACCESSORIES

(K-0) and later

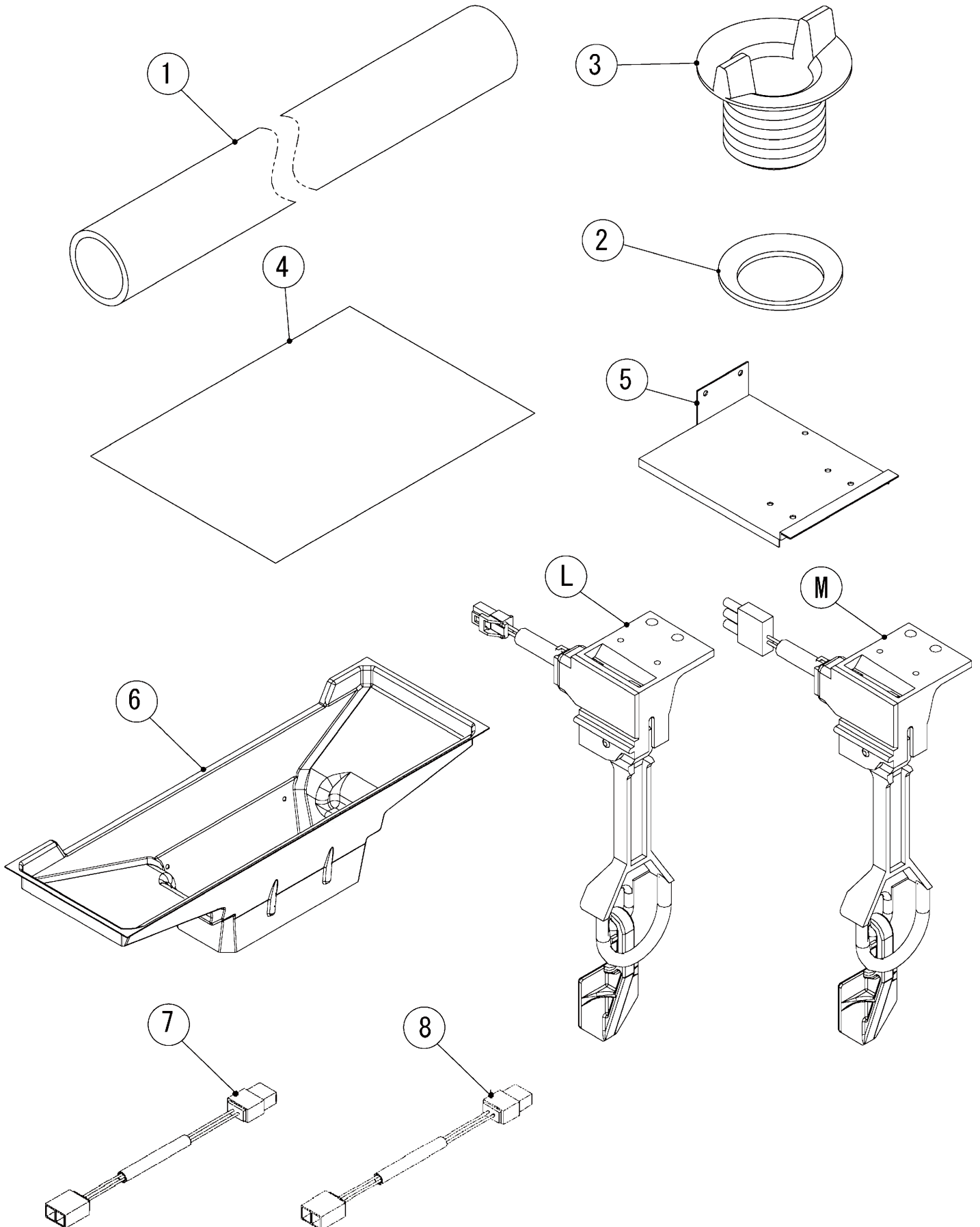




IM-240DWNE-HC (-C, -21, -23, -32)  
IM-240XWNE-HC (-C, -21, -23, -32)

K. OPTIONAL PARTS

(K-0) and later

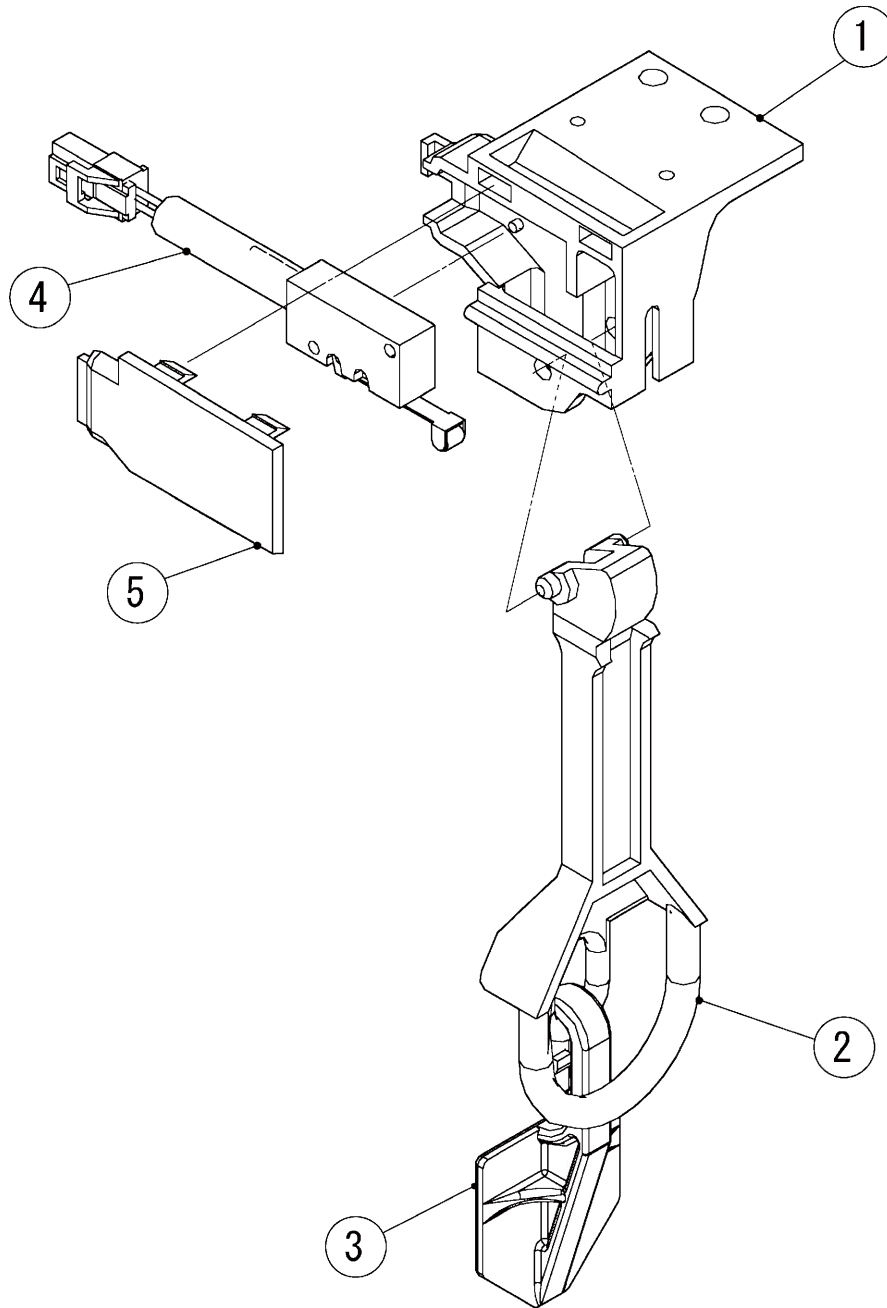




IM-240DWNE-HC (-C, -21, -23, -32)  
IM-240XWNE-HC (-C, -21, -23, -32)

L. BIN SWITCH ASSY

(K-0) and later







IM-240DWNE-HC (-C, -21, -23, -32)  
IM-240XWNE-HC (-C, -21, -23, -32)

M. BIN SWITCH ASSY

(K-0) and later

