



MODULAR CUBER

## PARTS LIST

[HE] [GENERAL(50Hz)(60Hz)][HSP][AUSTRALIA]  
[KOREA][CHINA]

E1CL

E1CL-C241, C243, C251, C252, D001, D002, D003  
-D004, D005, D007, D008, D009, D010, D011, D012  
-D013, D014, D015, D016, D017, D018, D019, D020  
-D021, D022, D023, D024, D025, D027, D028, D029  
-D030, D031, D032, D033, D034, D035

K-1 JUN. 2010  
B-1 MAY. 2012  
B-2 ----- . 2012  
B-3 MAY. 2012  
C-1 FEB. 2013  
G-1 APR. 2017

IM-240DWNE  
IM-240DWNE-C  
IM-240DWNE-21  
IM-240DWNE-23  
IM-240DWNE-32  
IM-240XWNE  
IM-240XWNE-21  
IM-240XWNE-23  
IM-240XWNE-32

## List of Specifications

IM-240DWNE	E1CL	Standard
IM-240DWNE	E1CL-C241	For CHINA
IM-240DWNE-23	E1CL-C243	For CHINA
IM-240XWNE	E1CL-C251	For CHINA
IM-240XWNE-23	E1CL-C252	For CHINA
IM-240DWNE-C	E1CL-D001	Cylinder ICE of IM-240DWNE
IM-240DWNE-23	E1CL-D002	23mm ICE of IM-240DWNE
IM-240DWNE-21	E1CL-D003	21mm ICE of IM-240DWNE
IM-240DWNE-32	E1CL-D004	32mm ICE of IM-240DWNE
IM-240XWNE	E1CL-D005	X TYPE
IM-240XWNE-23	E1CL-D007	23mm ICE of IM-240XWNE
IM-240XWNE-21	E1CL-D008	21mm ICE of IM-240XWNE
IM-240XWNE-32	E1CL-D009	32mm ICE of IM-240XWNE
IM-240DWNE	E1CL-D010	For KOREA 230V,60Hz of IM-240DWNE
IM-240XWNE	E1CL-D011	For KOREA 230V,60Hz of IM-240XWNE
IM-240DWNE-21	E1CL-D012	For KOREA 21mm ICE,230V,60Hz of IM-240DWNE
IM-240XWNE-21	E1CL-D013	For KOREA 21mm ICE,230V,60Hz of IM-240XWNE
IM-240DWNE	E1CL-D014	For GENERAL 230V,60Hz of IM-240DWNE
IM-240XWNE	E1CL-D015	For GENERAL 230V,60Hz of IM-240XWNE
IM-240DWNE-21	E1CL-D016	For GENERAL 21mm ICE,230V,60Hz of IM-240DWNE
IM-240XWNE-21	E1CL-D017	For GENERAL 21mm ICE,230V,60Hz of IM-240XWNE
IM-240DWNE	E1CL-D018	SUS316 frame of IM-240DWNE
IM-240XWNE	E1CL-D019	SUS316 frame of IM-240XWNE
IM-240DWNE-23	E1CL-D020	23mm ICE,230V,60Hz of IM-240DWNE
IM-240XWNE-23	E1CL-D021	23mm ICE,230V,60Hz of IM-240XWNE
IM-240DWNE-32	E1CL-D022	32mm ICE,SUS316 frame of IM-240DWNE
IM-240DWNE-23	E1CL-D023	23mm ICE,SUS316 frame of IM-240DWNE
IM-240DWNE-C	E1CL-D024	Cylinder ICE,SUS316 frame of IM-240DWNE
IM-240DWNE-21	E1CL-D025	21mm ICE,SUS316 frame of IM-240DWNE
IM-240XWNE-23	E1CL-D027	23mm ICE,SUS316 frame of IM-240XWNE
IM-240XWNE-21	E1CL-D028	21mm ICE,SUS316 frame of IM-240XWNE
IM-240XWNE-32	E1CL-D029	32mm ICE,SUS316 frame of IM-240XWNE
IM-240DWNE	E1CL-D030	For GENERAL,230V,60Hz, SUS316 frame of IM-240DWNE
IM-240XWNE	E1CL-D031	For GENERAL,230V,60Hz, SUS316 frame of IM-240XWNE

## List of Specifications

IM-240DWNE-21	E1CL-D032	For GENERAL,230V,60Hz, 21mm ICE,SUS316 frame of IM-240DWNE
IM-240XWNE-21	E1CL-D033	For GENERAL,230V,60Hz, 21mm ICE,SUS316 frame of IM-240XWNE
IM-240DWNE-23	E1CL-D034	For GENERAL,230V,60Hz, 23mm ICE,SUS316 frame of IM-240DWNE
IM-240XWNE-23	E1CL-D035	For GENERAL,230V,60Hz, 23mm ICE,SUS316 frame of IM-240XWNE

## AUXILIARY CODE

U - 1

The auxiliary code is the first two characters in the serial number. The first character indicates the production year. Years progress or regress in alphabetical order. The series of letters and skipped letters depend on UL listing, production, and model. See the auxiliary code(s) and corresponding year(s) on the front cover.

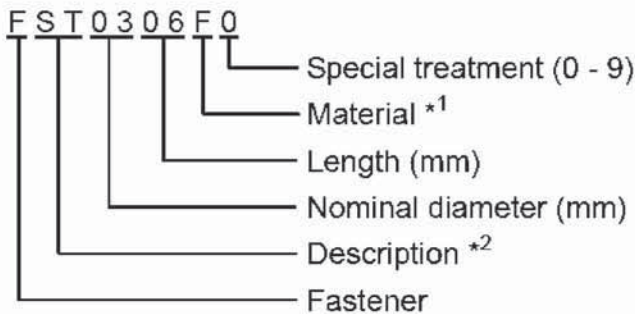
The second character indicates significant part changes within the same year. Base is "1" and this number advances for each change. If there is no significant part change at the turn of the year, this number starts from "0."

## MARKS LOCATED UNDER THE AUXILIARY CODE

- = Part deleted.
- x = Part deleted and replaced by "o" part.
- o = New part in place of "x" part.

## FASTENER PART NUMBER

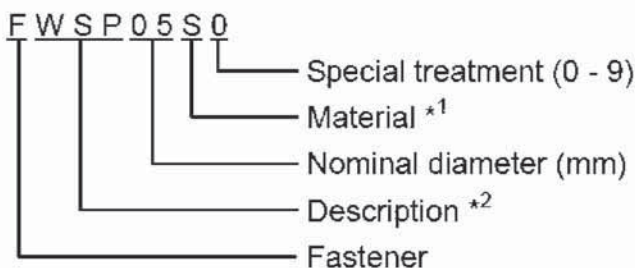
### SCREWS



\*<sup>1</sup> Material

- F: Steel
- S: Austenitic stainless steel
- M: Martensitic stainless steel
- B: Copper alloy
- P: Polycarbonate
- N: Polyamide
- V: PVC
- A: ABS
- X: Polyacetal
- L: Aluminum

### NUTS & WASHERS



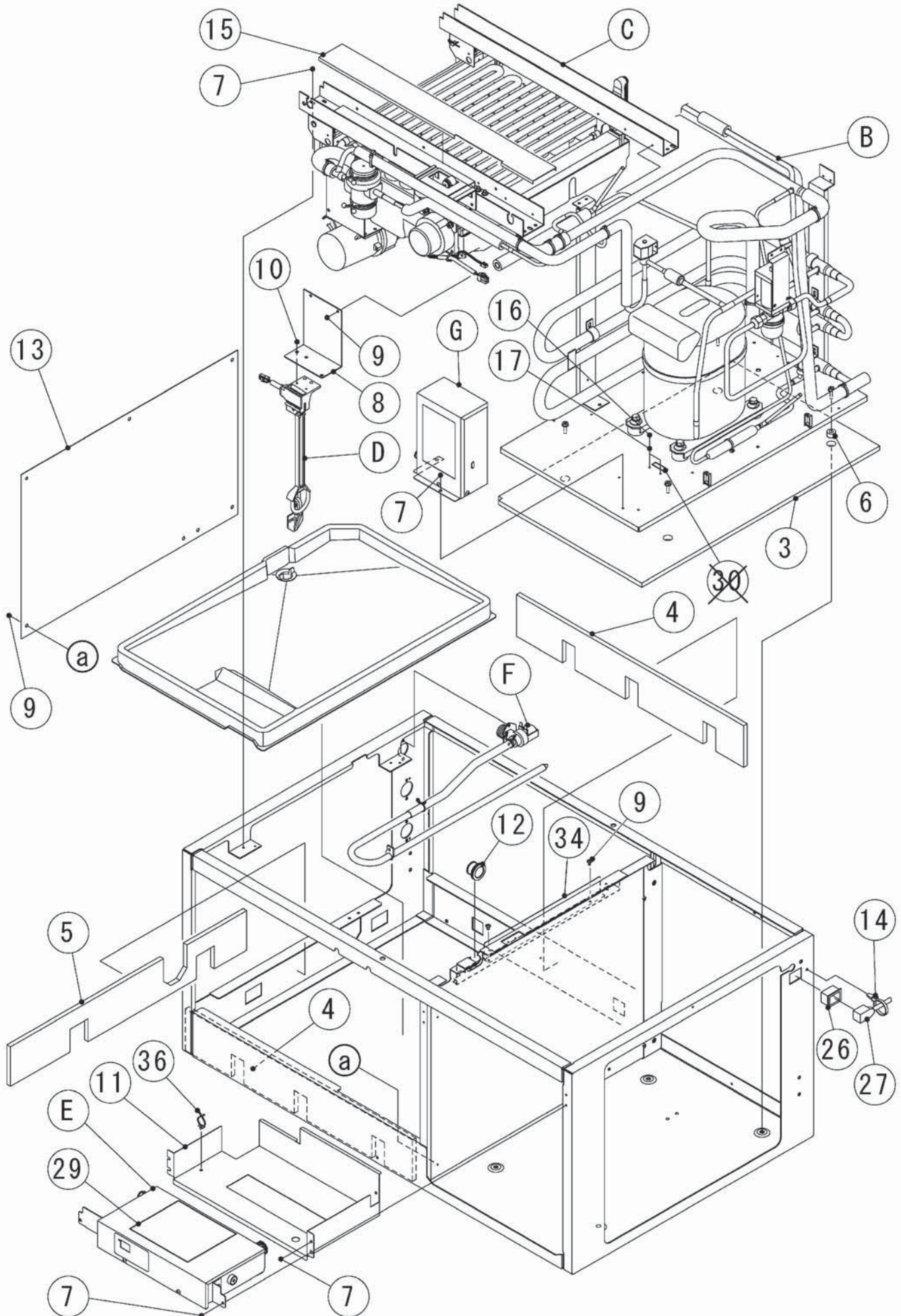
\*<sup>2</sup> Description

- First letter
- S: Machine screw
- T: Tapping screw
- M: Wood screw
- B: Bolt
- W: Washer
- N: Nut

A. ICE CUBER ASSY (1/2)

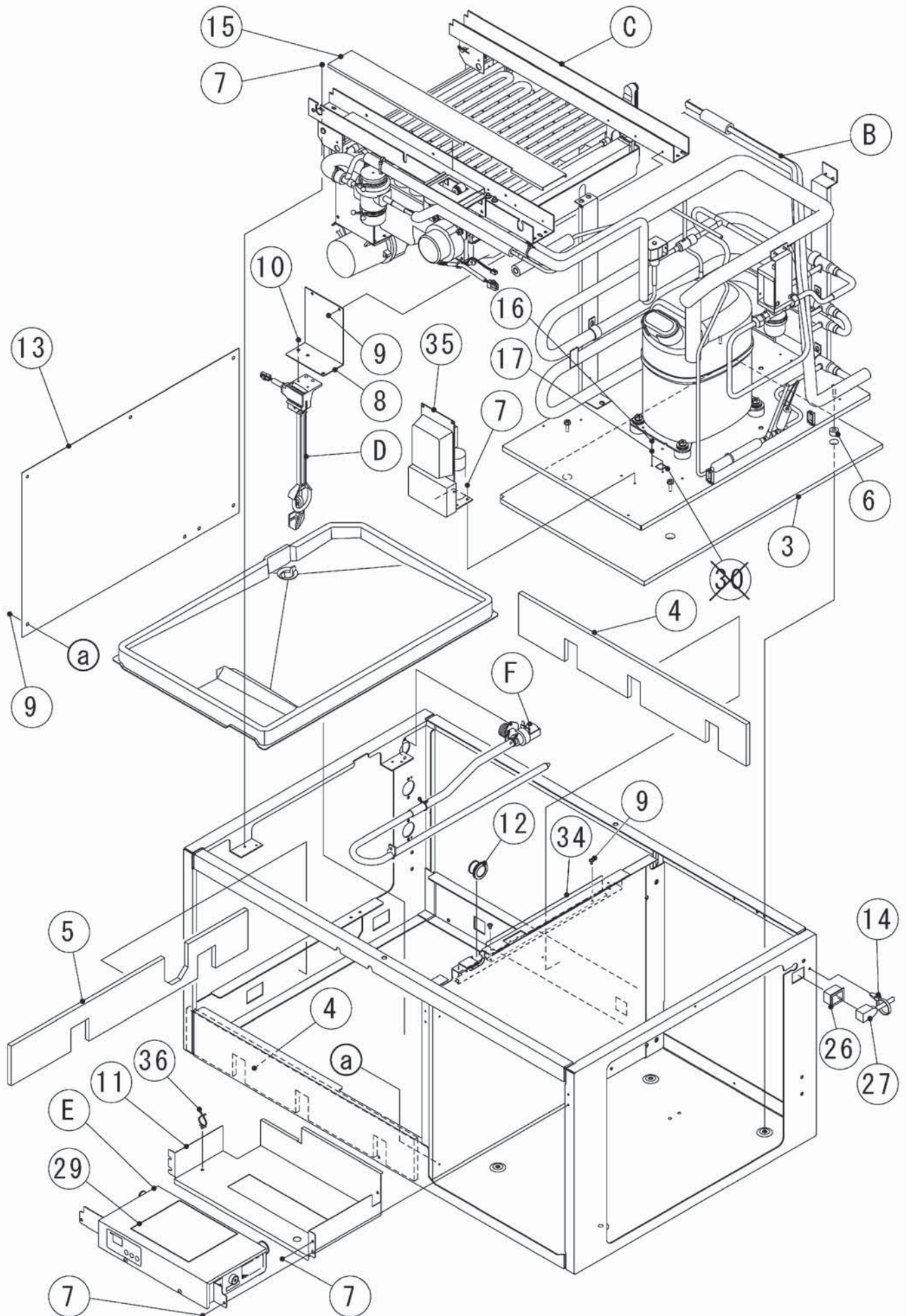
50Hz (K-1) to (B-0)

60Hz (K-1) to (C-0)



A. ICE CUBER ASSY (1/2)

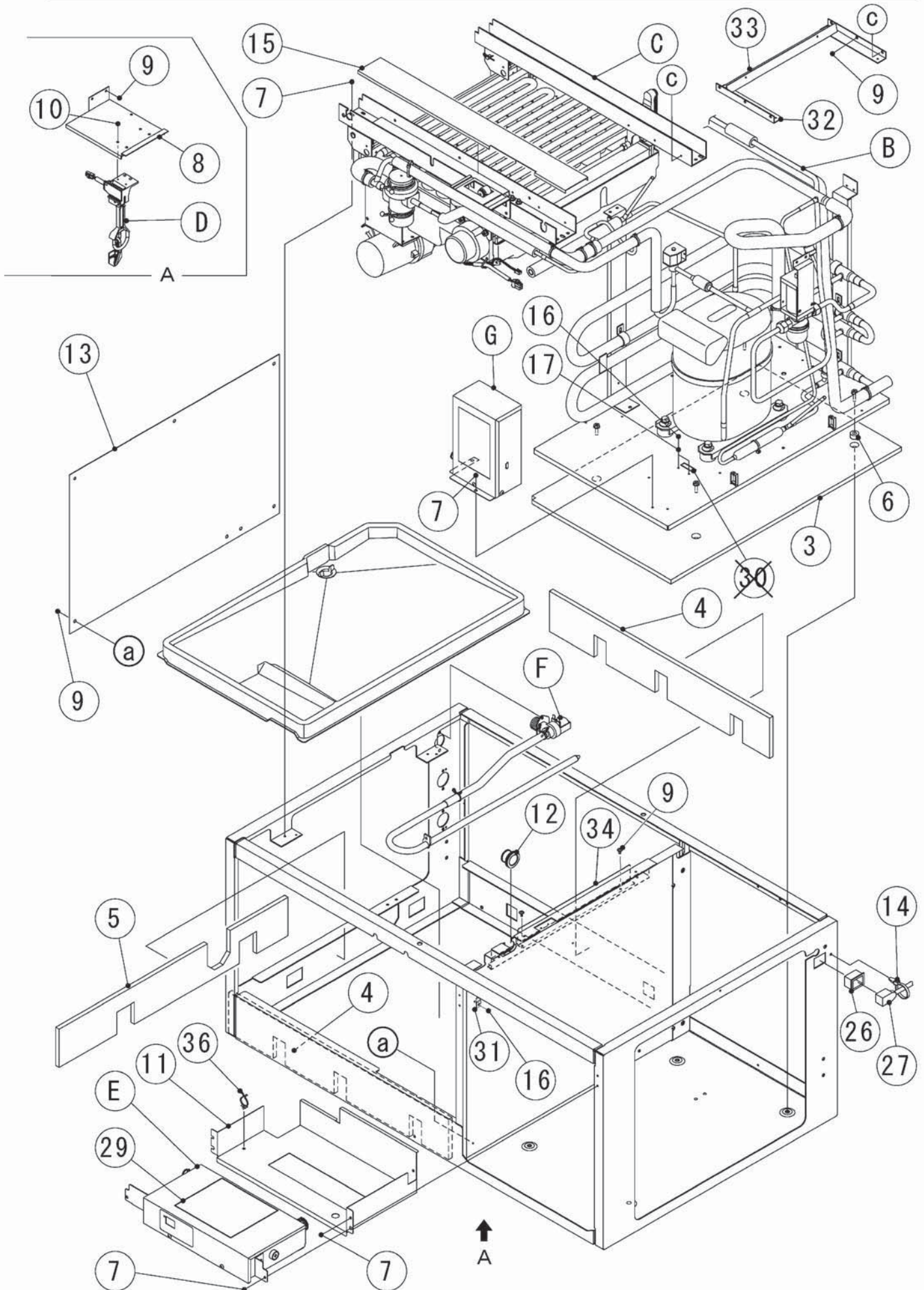
50Hz (B-1) and later  
60Hz (C-1) and later



A. ICE CUBER ASSY (1/2)

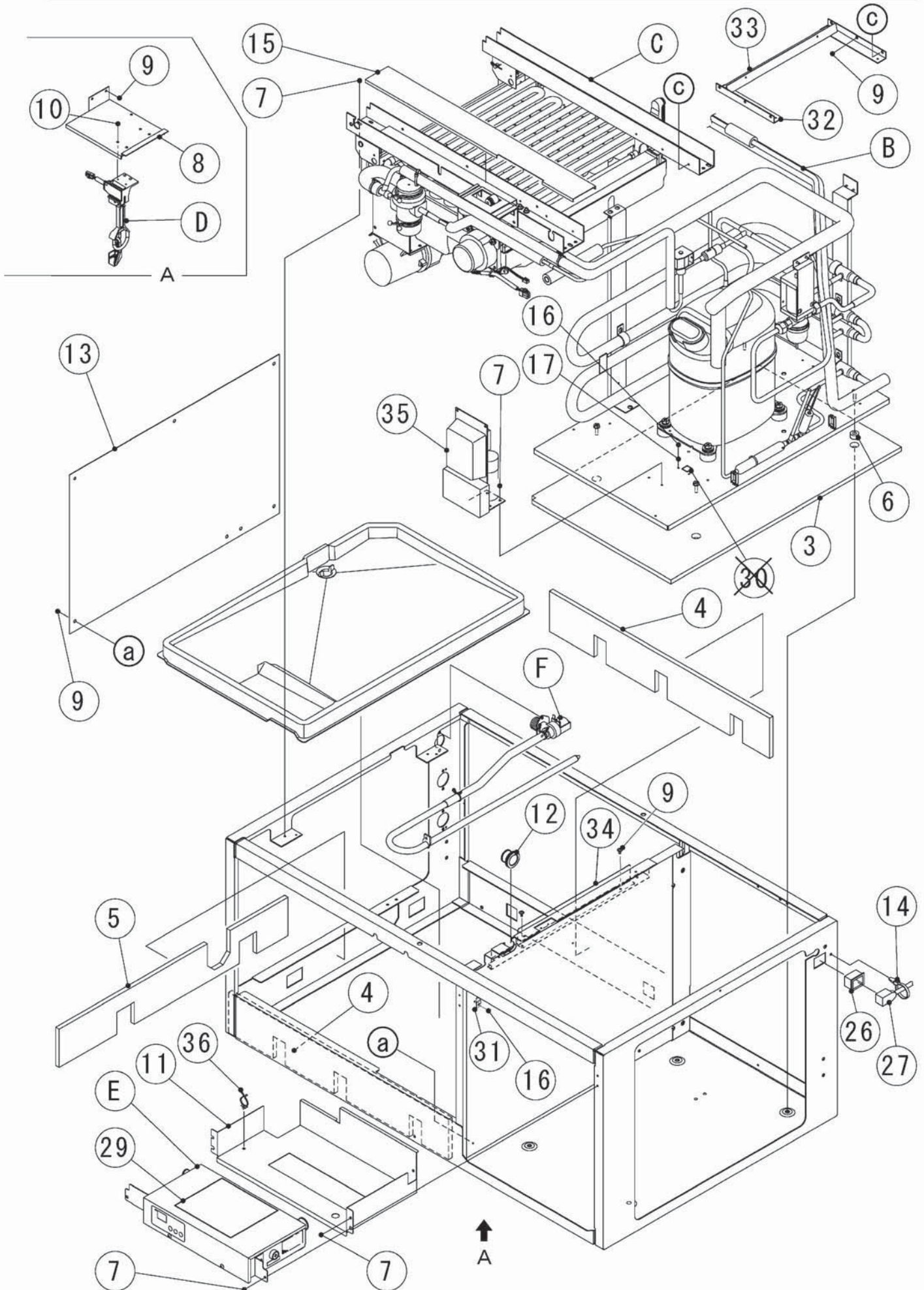
50Hz (K-1) to (B-0)

60Hz (K-1) to (C-0)



A. ICE CUBER ASSY (1/2)

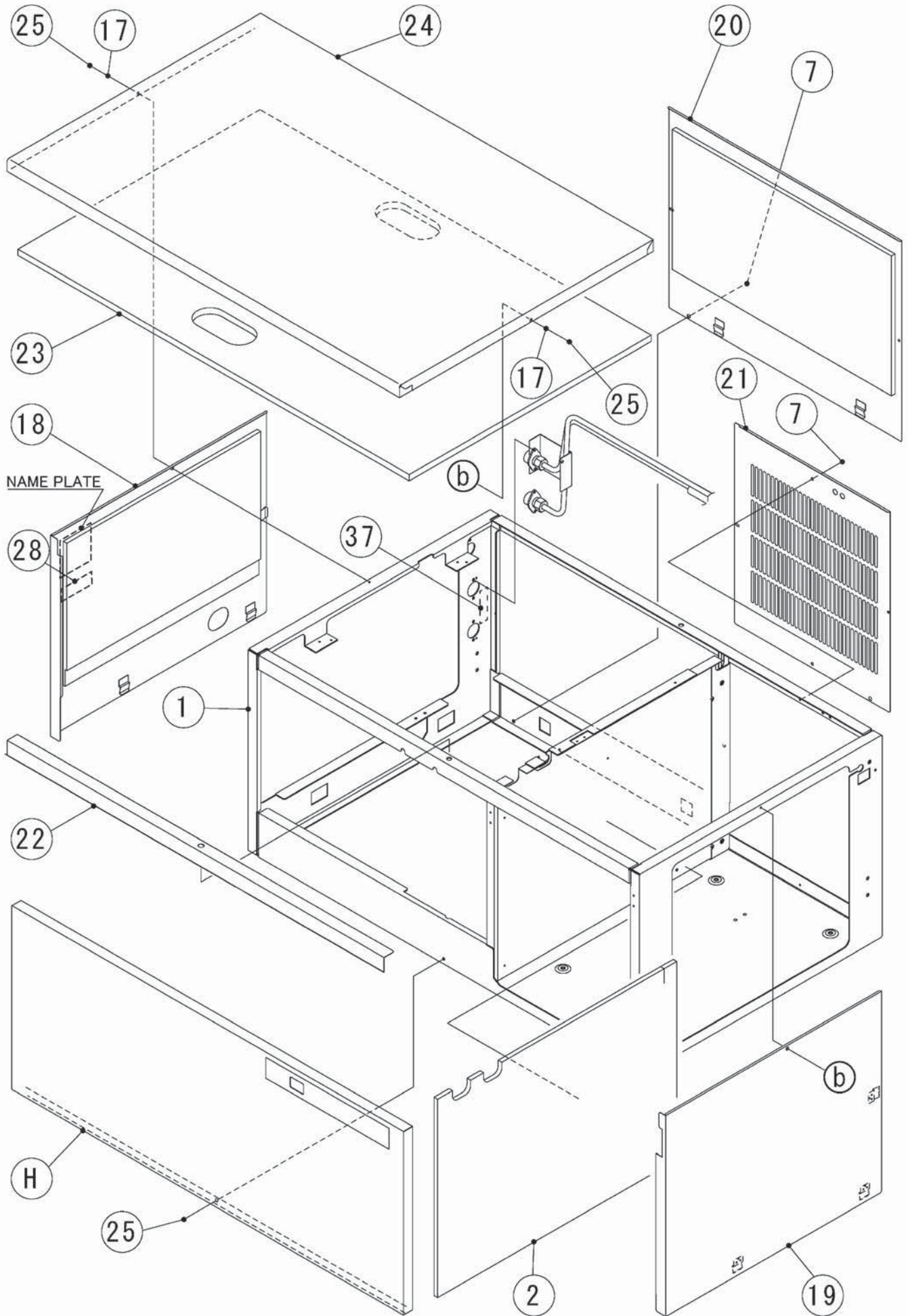
50Hz (B-1) and later  
60Hz (C-1) and later





IM-240DWNE (-C, -21, -23, -32)  
IM-240XWNE (-21, -23, -32)

A. ICE CUBER ASSY (2/2) (K-1) and later



**HE,GENERAL(50Hz)(60Hz),HSP,AUSTRALIA,KOREA,CHINA**

MODEL : IM-240DWNE(-C,-21,-23,-32) IM-240XWNE(-21,-23,-32)		TITLE : A. ICE CUBER ASSY						
INDEX NO.	DESCRIPTION	MATERIAL OR MODEL NUMBER	PART NUMBER	REQ'D NUMBER				
				K-1 B-0	B-1 B-2	B-3 C-0	C-1 G-0	G-1
B	REFRIGERATION ASSY	(EXCEPT 240DWNE-C) (50Hz)	1H4683A01	1	-	-	-	-
			1H5187A01	-	1	1	1	1
		(EXCEPT 240DWNE-C) (60Hz)	1H4683A01	1	1	1	-	-
			1H5187A01	-	-	-	1	1
		(240DWNE-C)	1H4702A01	1	-	-	-	-
			1H5227A01	-	1	1	1	1
C	MECHANISM ASSY	(240DWNE,DWNE-23, 240XWNE,XWNE-23)	1H4669A01	1	1	1	1	1
		(240DWNE-C)	1H4679A01	1	1	1	1	1
		(240DWNE-21,XWNE-21)	1H4669002	1	1	1	1	1
		(240DWNE-32,XWNE-32)	1H4669001	1	1	1	1	1
D	BIN SWITCH ASSY	(240DWNE,-C,-21,-23,-32)	3Y5222A01	1	1	1	1	1
		(240XWNE,-21,-23,-32)	3Y5244A01	1	1	1	1	1
E	CONTROL BOX ASSY	(50Hz)	2H9968A02	1	-	-	-	-
			2X1162A02	-	1	1	1	1
		(60Hz)	2H9968A02	1	1	1	-	-
			2X1162A02	-	-	-	1	1
F	WATER CIRCUIT ASSY	-	2H9942A01	1	1	1	1	1
		(240DWNE-C)	2H9942A02	1	1	1	1	1
G	CONTROLBOX B - ASSY	(50Hz)	3Y5105A01	1	-	-	-	-
		(60Hz)	3Y5105001	1	1	1	-	-
H	FRONT COVER	(50Hz)	2H9972A01	1	-	-	-	-
			2X1168A01	-	1	1	1	1
		(60Hz)	2H9972A01	1	1	1	-	-
			2X1168A01	-	-	-	1	1
1	UNIT FRAME	-	1H4667G01	1	1	1	1	1
		(SUS316)	1H5205G01	1	1	1	1	1
2	INSULATION - SEPARATOR	-	3Y5008P01	1	1	1	1	1
3	INSULATION - CHASSIS	-	4Y6574P01	1	1	1	1	1
4	INSULATION - FRAME	-	4Y5945P01	2	2	2	2	2
5	INSULATION - SIDEFAME L	-	4Y5944P01	1	1	1	1	1
6	COLLAR	-	4H8163-01	4	4	4	4	4
7	FLANGE BOLT (S-TITE)	-	FTR0408M0	16	16	16	16	16
		(240DWNE-C)	FTR0408M0	16	18	18	18	18
8	BRACKET - BIN CONTROL SWITCH	(240DWNE,-C,-21,-23,-32)	4Y7486M01	1	1	1	1	1
		(240XWNE,-21,-23,-32)	4Y5943M01	1	1	1	1	1

**HE,GENERAL(50Hz)(60Hz),HSP,AUSTRALIA,KOREA,CHINA**

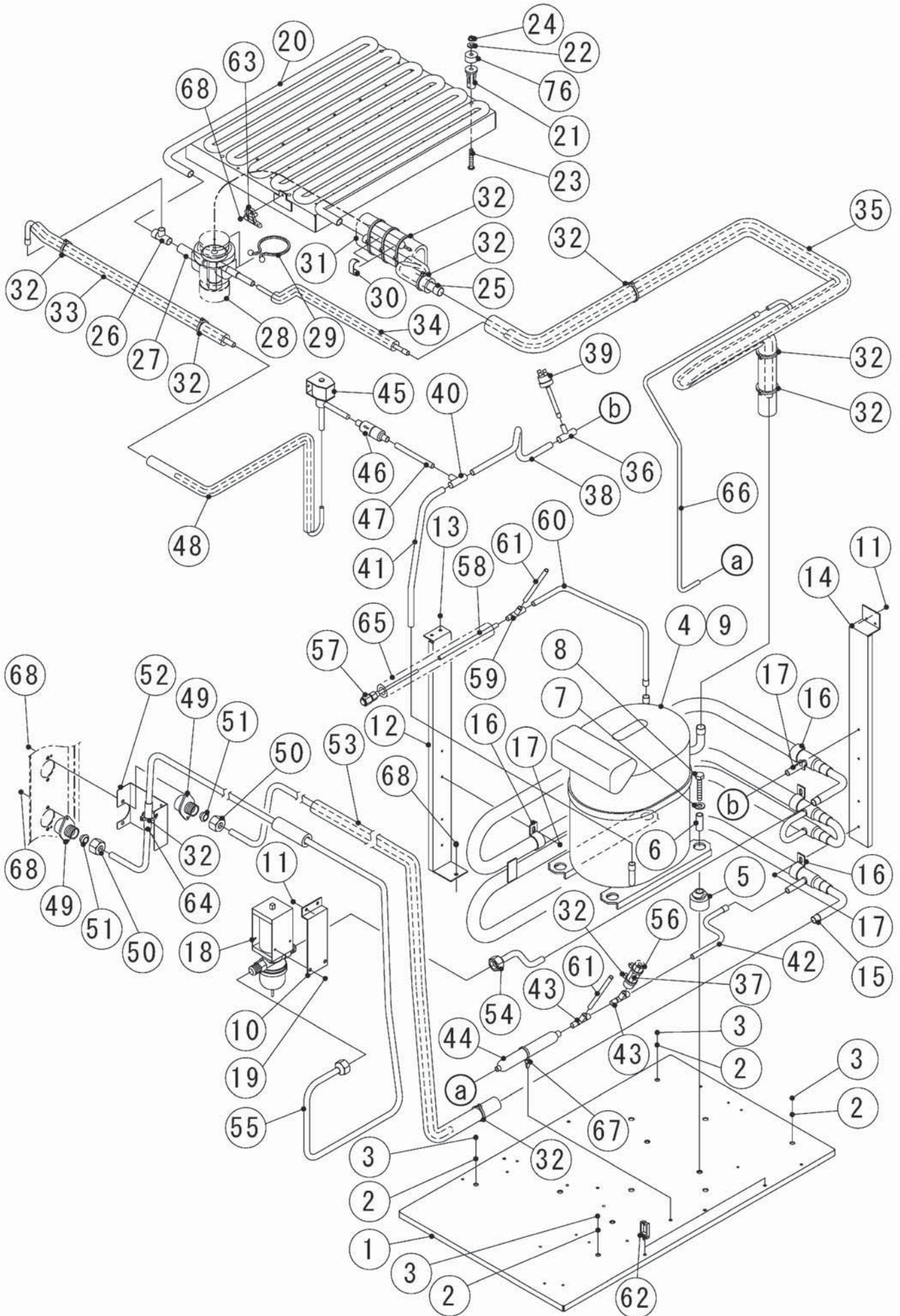
MODEL : IM-240DWNE(-C,-21,-23,-32) IM-240XWNE(-21,-23,-32)			TITLE : A. ICE CUBER ASSY					
INDEX NO.	DESCRIPTION	MATERIAL OR MODEL NUMBER	PART NUMBER	REQ'D NUMBER				
				K-1 B-0	B-1 B-2	B-3 C-0	C-1 G-0	G-1
9	TRUSS HEAD TAPPING SCREW T2	(240DWNE,-C,-21,-23,-32)	FT20408S0	9	9	9	9	9
		(240XWNE,-21,-23,-32)		15	15	15	15	15
10	TRUSS HEAD TAPPING SCREW T2	-	FT20412S0	2	2	2	2	2
11	UNIT BOX	-	2H9970M01	1	1	1	1	1
12	GROMMET	-	4H2568-01	1	1	1	1	1
13	PROTECTOR - SEPARATOR	-	3Y4267P01	1	1	1	1	1
14	PUSH MOUNT TIE	T30RSF	436156-01	1	1	1	1	1
15	GUIDE - CONNECTOR	(240XWNE,-21,-23,-32)	312762-01	1	1	1	1	1
16	TRUSS HEAD MACHINE SCREW	(240DWNE,-C,-21,-23,-32) (50Hz)	FST0408S0	2	3	3	3	3
		(240XWNE,-21,-23,-32) (50Hz)		3	4	4	4	4
		(240DWNE,-C,-21,-23,-32) (60Hz)		2	2	2	3	3
		(240XWNE,-21,-23,-32) (60Hz)		3	3	3	4	4
17	SPRING WASHER	(240DWNE,-C,-21,-23,-32) (50Hz)	FWSP04S0	4	5	5	5	5
		(240XWNE,-21,-23,-32) (50Hz)		2	5	5	5	5
		(240DWNE,-C,-21,-23,-32) (60Hz)		4	4	4	5	5
		(240XWNE,-21,-23,-32) (60Hz)		2	2	2	5	5
18	SIDE PANEL - L	-	3Y5012G01	1	1	1	1	1
19	SIDE PANEL - R	-	3Y5079G01	1	1	1	1	1
20	REAR PANEL	-	3Y5016G01	1	1	1	1	1
21	REAR PANEL R	-	3Y5018M01	1	1	1	1	1
22	HOOK - TOP PANEL	-	3Y5019M01	1	1	1	1	1
23	INSULATION - TOP PANEL	(240DWNE,-C,-21,-23,-32)	3H9603-01	1	1	1	1	1
24	TOPPANEL	(240DWNE,-C,-21,-23,-32)	1H4725M01	1	1	1	1	1
25	TRUSS HEAD TAPPING SCREW (S-TITE)	-	FTS0408M0	3	3	3	3	3
26	CONNECTOR	-	P00246-01	1	1	1	1	1
27	POWER SUPPLY CORD	EU-PLUG(16A)	P03362-01	1	1	1	1	1
		UK-PLUG(13A)	P03363-01	1	1	1	1	1
		AS-PLUG(15A)	P03364-01	1	1	1	1	1
		(CHINA)	P02215-01	1	1	1	1	1
		KOREA-PLUG (ORDER HKR)	P04438-01	1	1	1	1	1
28	LABEL - COMMERCIAL	(CHINA)	475135L01	1	1	1	1	1



IM-240DWNE (-21, -23, -32)  
IM-240XWNE (-21, -23, -32)

### B. REFRIGERATION ASSY

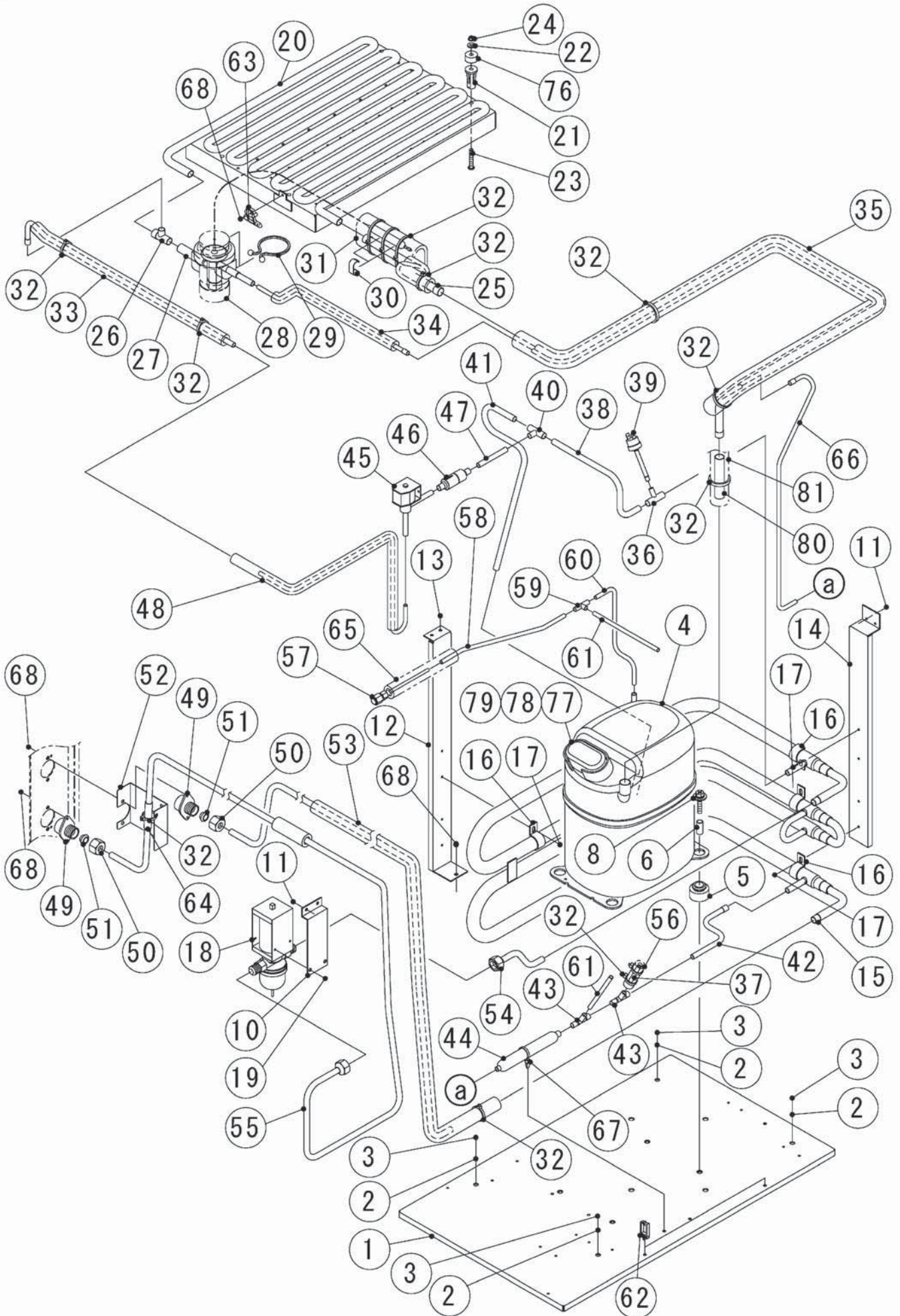
50Hz (K-1) to (B-0)  
60Hz (K-1) to (C-0)



IM-240DWNE (-21,-23,-32)  
IM-240XWNE (-21,-23,-32)

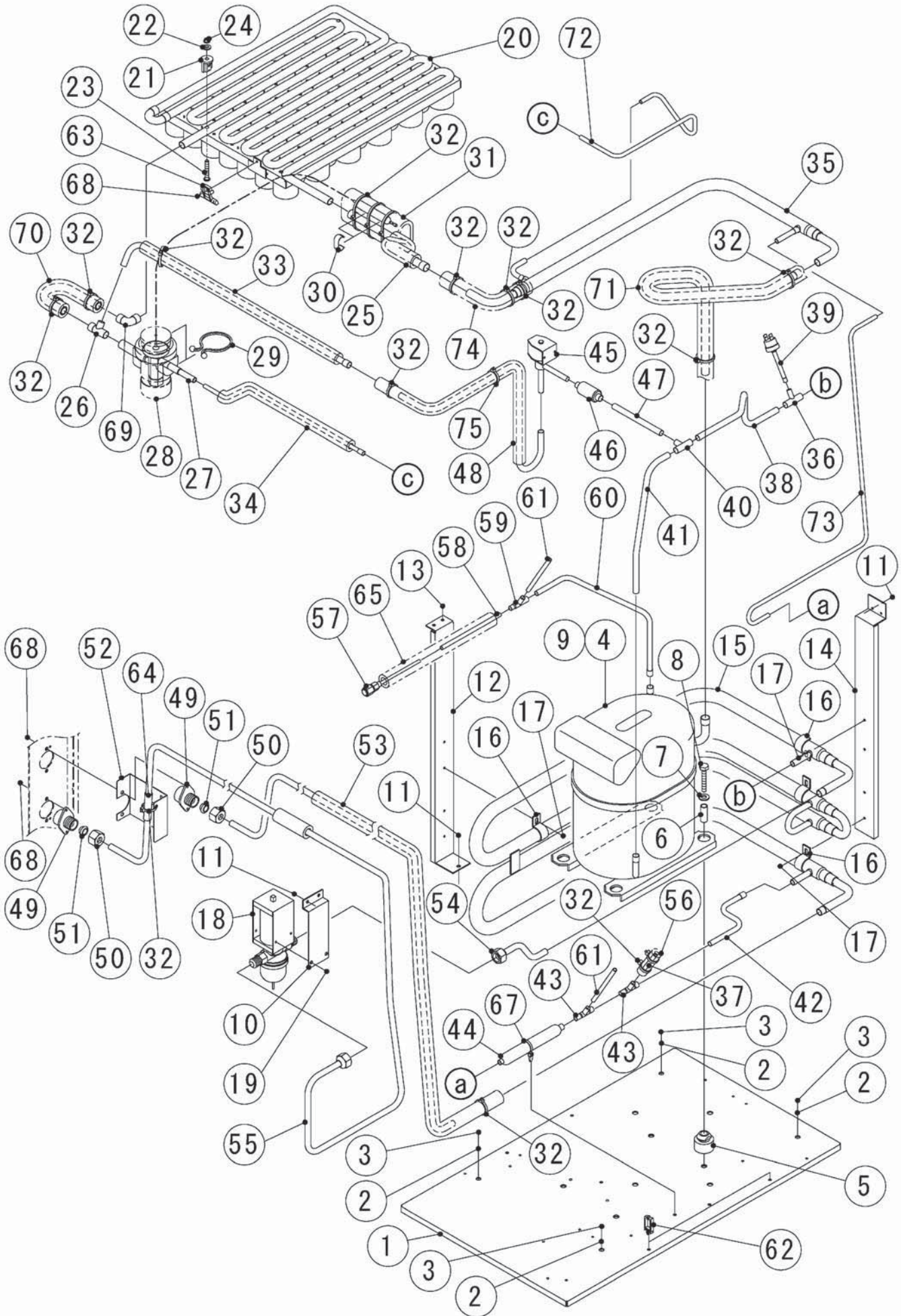
### B. REFRIGERATION ASSY

50Hz (B-1) and later  
60Hz (C-1) and later

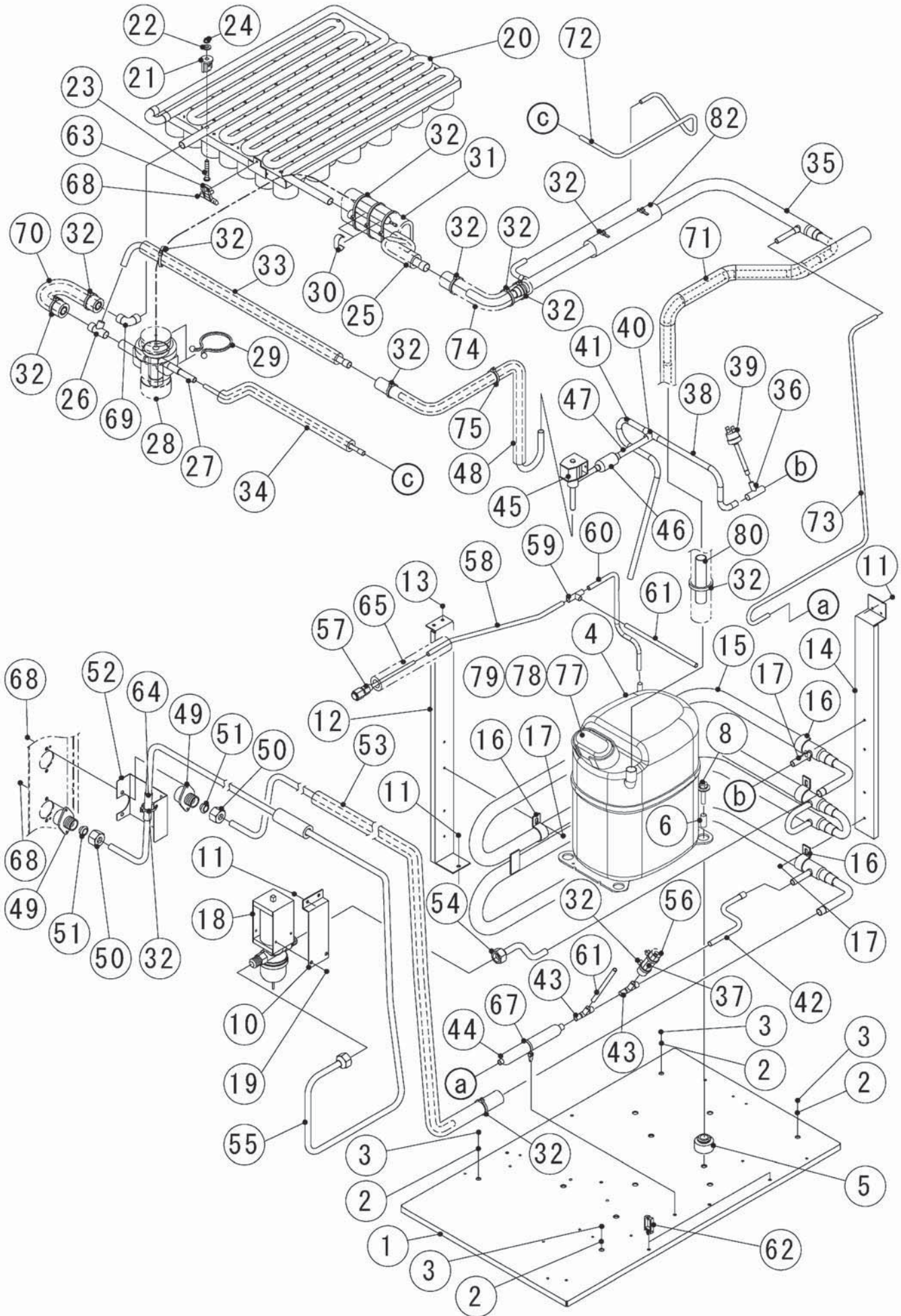


B. REFRIGERATION ASSY

(K-1) to (B-0)



B. REFRIGERATION ASSY (B-1) and later





HE,GENERAL(50Hz),HSP,AUSTRALIA,KOREA,CHINA

**[50Hz]**

MODEL : IM-240DWNE(-C,-21,-23,-32) IM-240XWNE(-21,-23,-32)			TITLE : B. REFRIGERATION ASSY					
INDEX NO.	DESCRIPTION	MATERIAL OR MODEL NUMBER	PART NUMBER	REQ'D NUMBER				
				K-1 B-0	B-1 B-2	B-3 C-0	C-1 G-0	G-1
1	BASE	-	3Y5081G01	1	-	-	-	-
			3Y6699G01	-	1	1	1	1
2	FLAT WASHER	-	FWPL06N0	4	4	4	4	4
3	HEX HEAD BOLT	-	FBH0620S0	4	4	4	4	4
4	COMPRESSOR	-	4A1581-01	1	-	-	-	-
			P01855-01	-	1	1	1	1
5	GROMMET	-	434922-02	4	-	-	-	-
	RUBBER GROMMET	-	P01858-01	-	4	4	4	4
6	SPACER	-	434921-01	4	-	-	-	-
	SLEEVE	-	P01859-01	-	4	4	4	4
7	FLAT WASHER	-	FWPL08F0	-	-	-	-	-
8	BOLT	-	436206-04	4	-	-	-	-
			436206-03	-	4	4	4	4
9	MOTOR PROTECTOR	-	4A1581F01	1	-	-	-	-
10	REGULATOR - BRACKET	-	4Y2441-01	1	1	1	1	1
11	FLANGE BOLT (S-TITE)	-	FTR0408M0	4	4	4	4	4
		(240DWNE-C)	FTR0408M0	5	5	5	5	5
12	BRACKET - CONDENSER W	-	3Y4320M01	1	1	1	1	1
13	TRUSS HEAD TAPPING SCREW T2	-	FT20408S0	2	2	2	2	2
14	BRACKET - CONDENSER W	-	3Y5082M01	1	1	1	1	1
15	CONDENSER - WATER COOLED	-	103099G01	1	1	1	1	1
16	CLAMP(B) - CONDENSER	-	4H0622-01	4	4	4	4	4
17	TRUSS HEAD TAPPING SCREW T2	-	FT20408F0	4	4	4	4	4
18	WATER REGULATOR	-	P04025-01	1	1	1	1	1
19	TRUSS HEAD MACHINE SCREW	-	FST0406S0	2	2	2	2	2
20	EVAPORATOR	(240DWNE,XWNE)	2H7526G02	1	1	1	1	1
		(240DWNE-C)	2H9949G01	1	1	1	1	1
		(240DWNE-21,XWNE-21)	208205G04	1	1	1	1	1
		(240DWNE-23,XWNE-23)	2H1833G03	1	1	1	1	1
		(240DWNE-32,XWNE-32)	2H3631G02	1	1	1	1	1
21	COLLAR	-	3H3879-01	4	4	4	4	4
	SPACER	(240DWNE-C)	4H0471-01	4	4	4	4	4
22	WASHER	-	4H0777-01	4	4	4	4	4
23	SCREW EVAPORATOR	(240DWNE,DWNE-32, 240XWNE,XWNE-32)	4Y4922M02	4	4	4	4	4
		(240DWNE-C)	4Y4922M01	4	4	4	4	4
		(240DWNE-21,DWNE-23, 240XWNE-21,XWNE-23)	4Y4922M03	4	4	4	4	4

**HE,GENERAL(50Hz),HSP,AUSTRALIA,KOREA,CHINA**

**[50Hz]**

MODEL : IM-240DWNE(-C,-21,-23,-32) IM-240XWNE(-21,-23,-32)		TITLE : B. REFRIGERATION ASSY						
INDEX NO.	DESCRIPTION	MATERIAL OR MODEL NUMBER	PART NUMBER	REQ'D NUMBER				
				K-1 B-0	B-1 B-2	B-3 C-0	C-1 G-0	G-1
24	FLANGE NUT	-	FNHF06S0	4	4	4	4	4
25	PIPE(B) - LOW SIDE	-	4Y6625G01	1	1	1	1	1
26	TEE	-	430608-01	1	1	1	1	1
27	EXPANSION VALVE	FRE-10NHD-3	P01874-01	1	1	1	1	1
28	VALVE COVER	-	3Y3051P01	1	1	1	1	1
29	CLAMP	18T6	P00752-01	2	2	2	2	2
30	CLIP	-	452254-02	2	2	2	2	2
31	INSULATION	-	4X8643-01	1	1	1	1	1
32	TIE	-	7920-0003	13	13	13	13	13
		(240DWNE-C)	7920-0003	16	18	18	18	18
33	PIPE(C) - HOT GAS	-	3Y5069G01	1	1	1	1	1
		(240DWNE-C)	3Y5073G01	1	1	1	1	1
34	PIPE(C) - HIGH SIDE	-	3Y5229G01	1	1	1	1	1
		(240DWNE-C)	3Y5074G01	1	1	1	1	1
35	HEAT EXCHANGER	-	2X0039G01	1	-	-	-	-
		-	2X1152G01	-	1	1	1	1
		(240DWNE-C)	3Y3207G01	1	1	1	1	1
36	TEE	-	420041-05	1	1	1	1	1
37	TUBE - CAPILLARY	-	4X4276-01	1	1	1	1	1
38	PIPE(A-2) - HIGH SIDE	-	4Y6680M01	1	-	-	-	-
		-	4Y7781M01	-	1	1	1	1
39	PRESSURE SWITCH	R134a,R22,R404A SEP-P270HHD-2	459863-03	1	1	1	1	1
40	TEE	-	420041-09	1	1	1	1	1
		(240DWNE-C)	417394-02	1	1	1	1	1
41	PIPE(A-1) - HIGH SIDE	-	3Y5120M01	1	-	-	-	-
	COPPER TUBE(A)-HIGH SIDE	-	4Y7782M01	-	1	1	1	1
42	PIPE(B) - HIGH SIDE	-	4Y6778M01	1	1	1	1	1
43	TEE	-	4Y4060Z01	2	2	2	2	2
44	DRIER	DY-15QHD-13	458776-01	1	1	1	1	1
		(240DWNE-C)	P00026-01	1	1	1	1	1
45	HOT GAS VALVE	-	P04242-01	1	1	1	1	1
46	STRAINER	-	P00812-01	1	1	1	1	1
		(240DWNE-C)	430365-05	1	1	1	1	1
47	PIPE(A) - HOT GAS	-	4Y6697M01	1	-	-	-	-
	COPPER TUBE(A)-HOT GAS	-	4Y7783M01	-	1	1	1	1
	PIPE(A) - HOT GAS	(240DWNE-C)	4Y6626M02	1	-	-	-	-
			4Y6626M01	-	1	1	1	1

**HE,GENERAL(50Hz),HSP,AUSTRALIA,KOREA,CHINA**

**[50Hz]**

MODEL : IM-240DWNE(-C,-21,-23,-32) IM-240XWNE(-21,-23,-32)		TITLE : B. REFRIGERATION ASSY						
INDEX NO.	DESCRIPTION	MATERIAL OR MODEL NUMBER	PART NUMBER	REQ'D NUMBER				
				K-1 B-0	B-1 B-2	B-3 C-0	C-1 G-0	G-1
48	PIPE(B) - HOT GAS	-	3Y5135G01	1	1	1	1	1
		(240DWNE-C)	3Y5150G01	1	1	1	1	1
49	FITTING(P)	-	3Y0747-01	2	2	2	2	2
50	NUT (A) - FITTING	-	415713-03	2	2	2	2	2
51	TAPPERED PACKING	-	415715-01	2	2	2	2	2
52	BRACKET - WATER PIPE	-	4X4457-01	1	1	1	1	1
53	PIPE(A) - WATER LINE	-	2X0101G01	1	1	1	1	1
54	PIPE - WATER LINE(B)	-	4Y5974G01	1	1	1	1	1
55	PIPE(C) - WATER LINE	-	2X0102G01	1	1	1	1	1
56	INSULATION - CAP	-	4H9594-01	1	1	1	1	1
57	ACCESS VALVE	-	455119-01	1	1	1	1	1
58	PIPE(B) - PROCESS	-	4Y6621M01	1	-	-	-	-
		-	4Y7779M01	-	1	1	1	1
59	TEE	-	420041-03	1	-	-	-	-
		-	417394-01	-	1	1	1	1
		(240DWNE-C)	417394-02	1	1	1	1	1
60	PIPE(A) - PROCESS	-	4Y6683M01	1	-	-	-	-
		-	4Y7784M01	-	1	1	1	1
61	PROCESS TUBE	-	4Y0273-01	2	2	2	2	2
62	WIRE SADDLE	-	428060-02	2	2	2	2	2
63	HOLDER - THERMISTOR	-	3H9642-01	1	1	1	1	1
64	SILICONE HOSE	-	4Y6670R01	1	1	1	1	1
65	INSULATION TUBE	-	H71323250	1	-	-	-	-
		-	H71323150		1	1	1	1
66	PIPE(B-2) - HIGH SIDE	(EXCEPT 240DWNE-C)	3Y5240M01	1	-	-	-	-
		-	3Y6700M01	-	1	1	1	1
67	TIE	-	457167-01	1	1	1	1	1
68	TRUSS HEAD TAPPING SCREW (S-TITE)	-	FTS0408M0	6	6	6	6	6
		(240DWNE-C)	FTS0408M0	5	5	5	5	5
69	ELBOW	(240DWNE-C)	417395-03	1	1	1	1	1
70	CONNECT PIPE	(240DWNE-C)	4Y6781G01	1	1	1	1	1
71	PIPE(A) - LOW SIDE	(240DWNE-C)	3Y5124G01	1	-	-	-	-
		-	3Y6837G01	-	1	1	1	1
72	PIPE(E) - HIGH SIDE	(240DWNE-C)	4Y6627M01	1	1	1	1	1
73	PIPE(C) - HIGH SIDE	(240DWNE-C)	3Y5238M01	1	1	1	1	1
74	INSULATION TUBE	(240DWNE-C)	H72030B20	1	1	1	1	1



## HE,GENERAL(60Hz),HSP,AUSTRALIA,KOREA,CHINA

【60Hz】

MODEL : IM-240DWNE(-21,-23,-32) IM-240XWNE(-21,-23,-32)		TITLE : B. REFRIGERATION ASSY						
INDEX NO.	DESCRIPTION	MATERIAL OR MODEL NUMBER	PART NUMBER	REQ'D NUMBER				
				K-1 B-0	B-1 B-2	B-3 C-0	C-1 G-0	G-1
1	BASE	-	3Y5081G01	1	1	1	-	-
			3Y6699G01	-	-	-	1	1
2	FLAT WASHER	-	FWPL06N0	4	4	4	4	4
3	HEX HEAD BOLT	-	FBH0620S0	4	4	4	4	4
4	COMPRESSOR	-	4A1322-01	1	1	1	-	-
			P02886-01	-	-	-	1	1
5	GROMMET	-	434922-02	4	4	4	-	-
	RUBBER GROMMET		P01858-01	-	-	-	1	1
6	SPACER	-	434921-01	4	4	4	-	-
	SLEEVE		P01859-01	-	-	-	4	4
7	FLAT WASHER	-	FWPL08F0	-	-	-	-	-
8	BOLT	-	436206-04	4	4	4	-	-
			436206-03	-	-	-	4	4
9	MOTOR PROTECTOR	-	4A1581F01	1	1	1	-	-
10	REGULATOR - BRACKET	-	4Y2441-01	1	1	1	1	1
11	FLANGE BOLT (S-TITE)	-	FTR0408M0	4	4	4	4	4
12	BRACKET - CONDENSER W	-	3Y4320M01	1	1	1	1	1
13	TRUSS HEAD TAPPING SCREW T2	-	FT20408S0	2	2	2	2	2
14	BRACKET - CONDENSER W	-	3Y5082M01	1	1	1	1	1
15	CONDENSER - WATER COOLED	-	103099G01	1	1	1	1	1
16	CLAMP(B) - CONDENSER	-	4H0622-01	4	4	4	4	4
17	TRUSS HEAD TAPPING SCREW T2	-	FT20408F0	4	4	4	4	4
18	WATER REGULATOR	-	P04025-01	1	1	1	1	1
19	TRUSS HEAD MACHINE SCREW	-	FST0406S0	2	2	2	2	2
20	EVAPORATOR	(240DWNE,XWNE)	2H7526G02	1	1	1	1	1
		(240DWNE-21,XWNE-21)	208205G04	1	1	1	1	1
		(240DWNE-23,XWNE-23)	2H1833G03	1	1	1	1	1
		(240DWNE-32,XWNE-32)	2H3631G02	1	1	1	1	1
21	COLLAR	-	3H3879-01	4	4	4	4	4
22	WASHER	-	4H0777-01	4	4	4	4	4
23	SCREW EVAPORATOR	(240DWNE,DWNE-32,240XWNE,XWNE-32)	4Y4922M02	4	4	4	4	4
		(240DWNE-21,DWNE-23,240XWNE-21,XWNE-23)	4Y4922M03	4	4	4	4	4
24	FLANGE NUT	-	FNHF06S0	4	4	4	4	4
25	PIPE(B) - LOW SIDE	-	4Y6625G01	1	1	1	1	1
26	TEE	-	430608-01	1	1	1	1	1
27	EXPANSION VALVE	FRE-10NHD-3	P01874-01	1	1	1	1	1
28	VALVE COVER	-	3Y3051P01	1	1	1	1	1

HE,GENERAL(60Hz),HSP,AUSTRALIA,KOREA,CHINA

**[60Hz]**

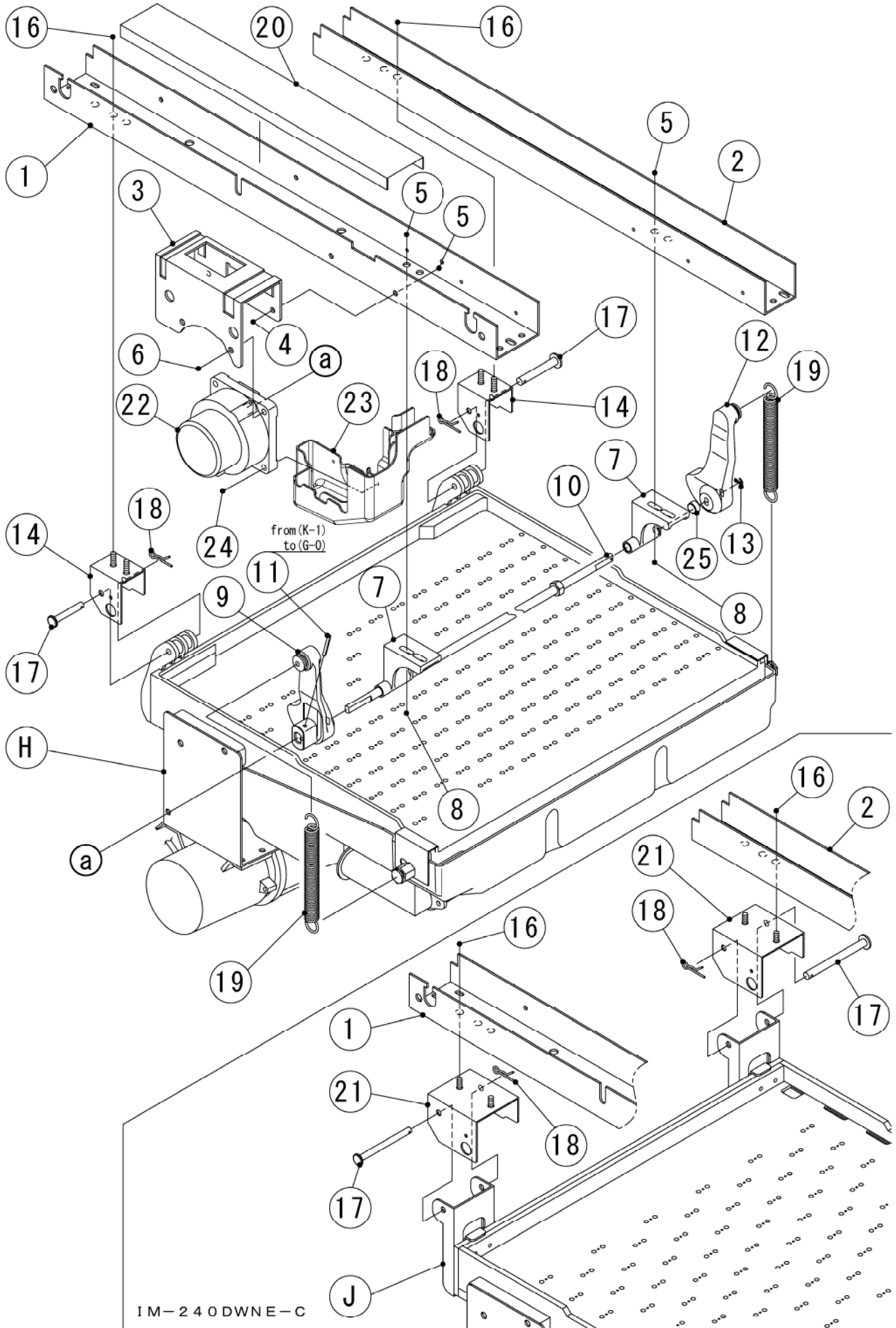
MODEL : IM-240DWNE(-21,-23,-32) IM-240XWNE(-21,-23,-32)		TITLE : B. REFRIGERATION ASSY						
INDEX NO.	DESCRIPTION	MATERIAL OR MODEL NUMBER	PART NUMBER	REQ'D NUMBER				
				K-1 B-0	B-1 B-2	B-3 C-0	C-1 G-0	G-1
29	CLAMP	18T6	P00752-01	2	2	2	2	2
30	CLIP	-	452254-02	2	2	2	2	2
31	INSULATION	-	4X8643-01	1	1	1	1	1
32	TIE	-	7920-0003	13	13	13	13	13
33	PIPE(C) - HOT GAS	-	3Y5069G01	1	1	1	1	1
34	PIPE(C) - HIGH SIDE	-	3Y5229G01	1	1	1	1	1
35	HEAT EXCHANGER	-	2X0039G01	1	1	1	-	-
			2X1552G01	-	-	-	1	1
36	TEE	-	420041-05	1	1	1	1	1
37	TUBE - CAPILLARY	-	4X4276-01	1	1	1	1	1
38	PIPE(A-2) - HIGH SIDE	-	4Y6680M01	1	1	1	-	-
			4Y7781M01	-	-	-	1	1
39	PRESSURE SWITCH	R134a,R22,R404A SEP-P270HHD-2	459863-03	1	1	1	1	1
40	TEE	-	420041-09	1	1	1	1	1
41	PIPE(A-1) - HIGH SIDE	-	3Y5120M01	1	1	1	-	-
	COPPER TUBE(A)-HIGH SIDE		4Y7782M01	-	-	-	1	1
42	PIPE(B) - HIGH SIDE	-	4Y6778M01	1	1	1	1	1
43	TEE	-	4Y4060Z01	2	2	2	2	2
44	DRIER	DY-15QHD-13	458776-01	1	1	1	1	1
45	HOT GAS VALVE	ATS-7S23HD-1	P01871-01	1	1	1	1	1
46	STRAINER	-	P00812-01	1	1	1	1	1
47	PIPE(A) - HOT GAS	-	4Y6697M01	1	1	1	-	-
	COPPER TUBE(A)-HOT GAS		4Y7783M01	-	-	-	1	1
48	PIPE(B) - HOT GAS	-	3Y5135G01	1	1	1	1	1
49	FITTING(P)	-	3Y0747-01	2	2	2	2	2
50	NUT (A) - FITTING	-	415713-03	2	2	2	2	2
51	TAPPERED PACKING	-	415715-01	2	2	2	2	2
52	BRACKET - WATER PIPE	-	4X4457-01	1	1	1	1	1
53	PIPE(A) - WATER LINE	-	2X0101G01	1	1	1	1	1
54	PIPE - WATER LINE(B)	-	4Y5974G01	1	1	1	1	1
55	PIPE(C) - WATER LINE	-	2X0102G01	1	1	1	1	1
56	INSULATION - CAP	-	4H9594-01	1	1	1	1	1
57	ACCESS VALVE	-	455119-01	1	1	1	1	1
58	PIPE(B) - PROCESS	-	4Y6621M01	1	1	1	-	-
			4Y7779M01	-	-	-	1	1
59	TEE	-	420041-03	1	1	1	-	-
			417394-01	-	-	-	1	1



IM-240DWNE (-C, -21, -23, -32)  
IM-240XWNE (-21, -23, -32)

### C. MECHANISM ASSY

(K-1) and later

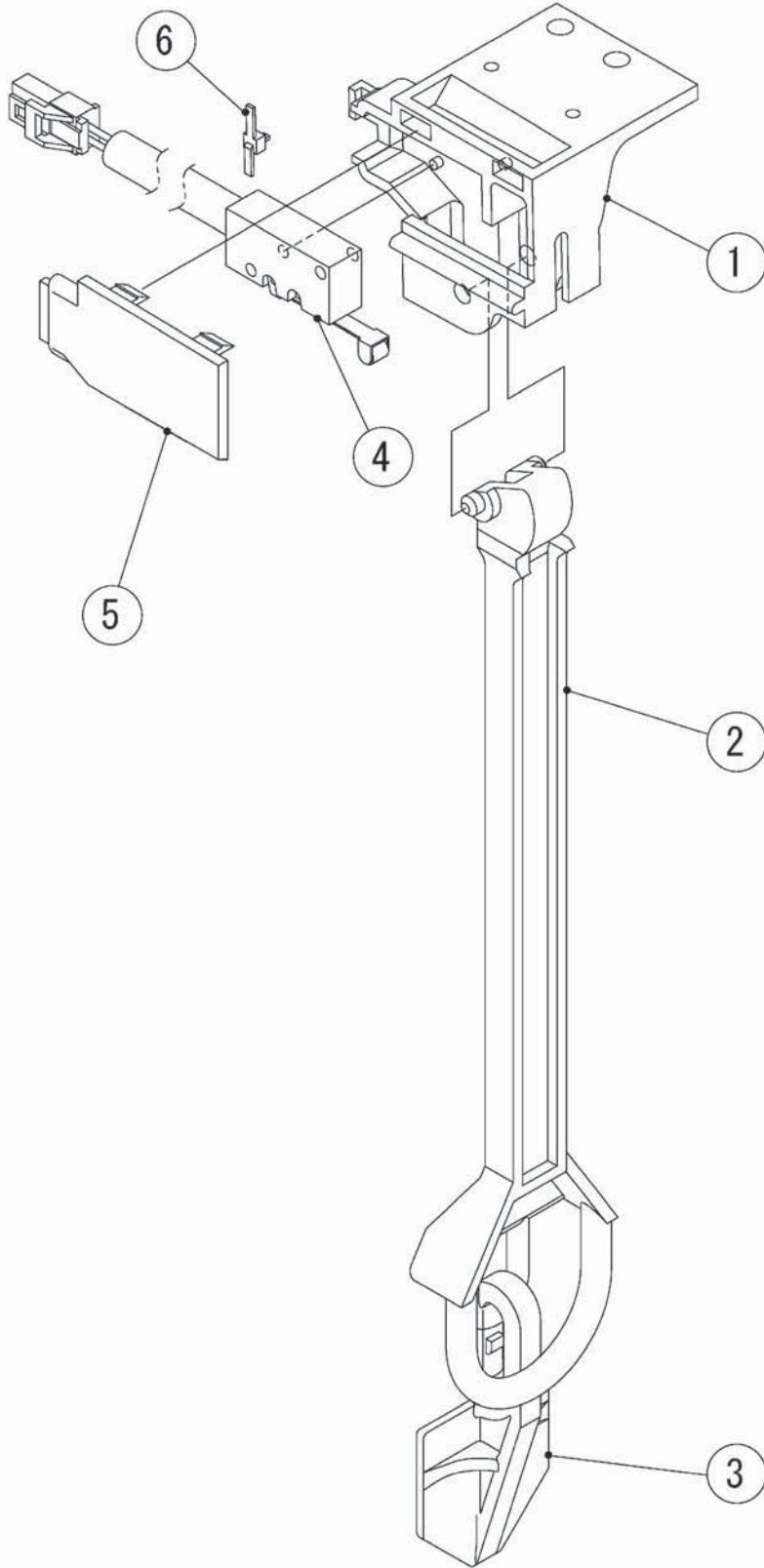






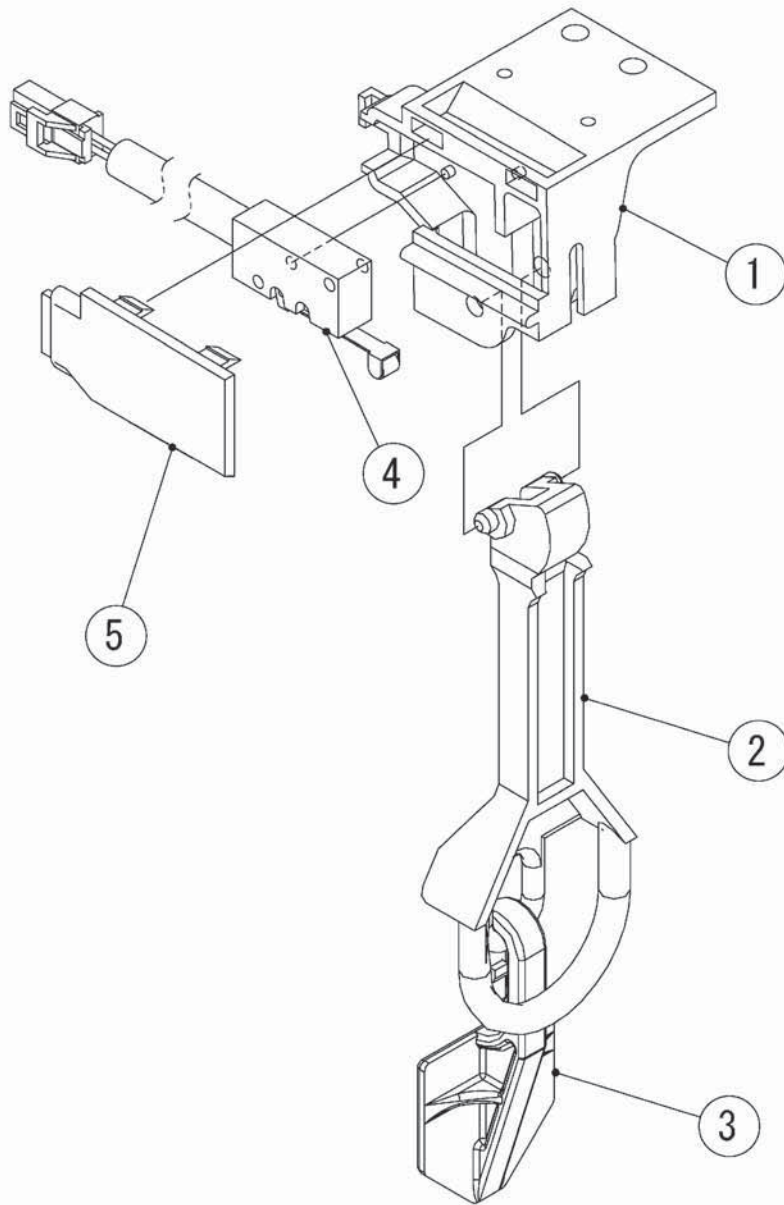
D. BIN SWITCH ASSY

(K-1) and later



D. BIN SWITCH ASSY

(K-1) and later





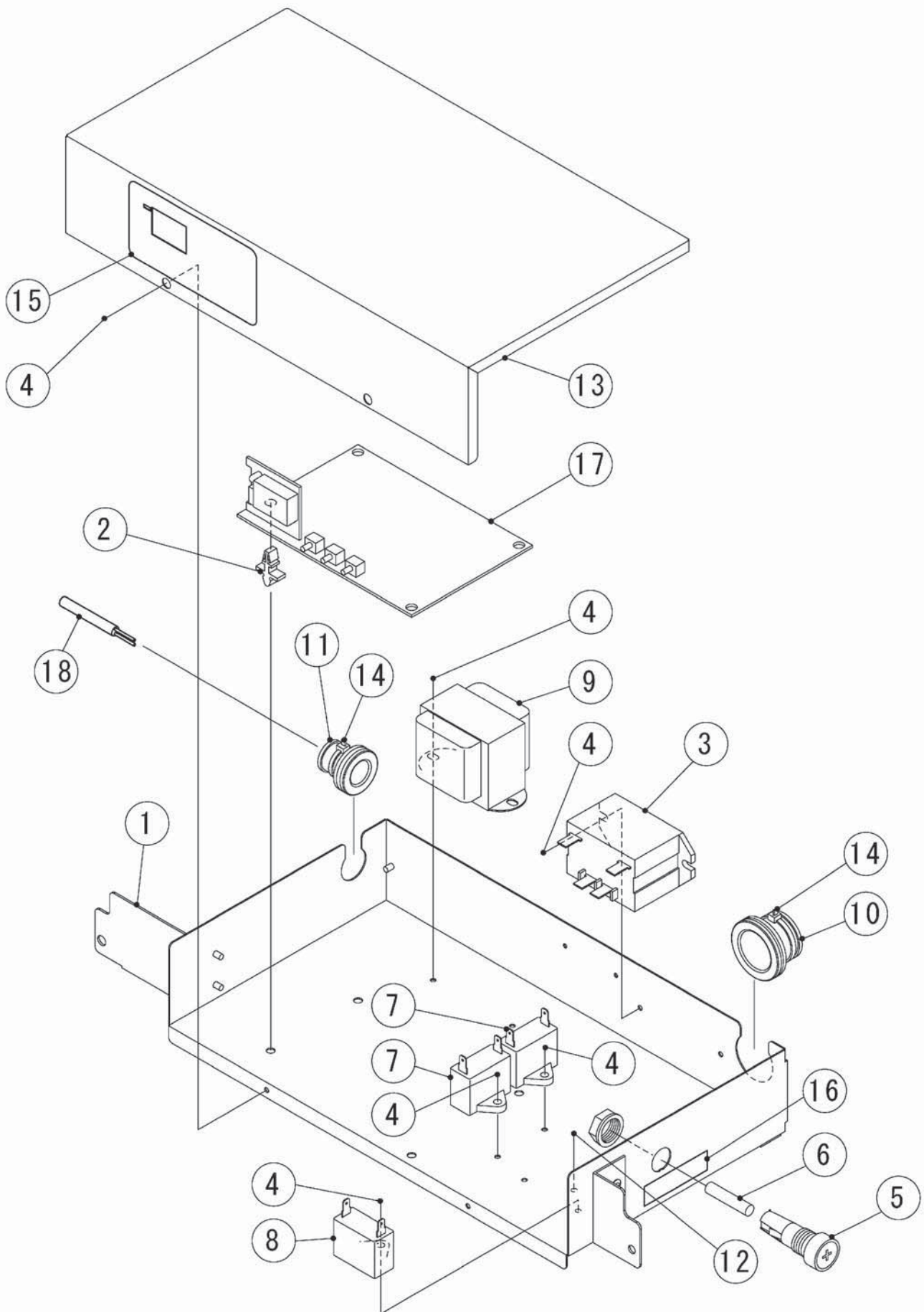
IM-240DWNE (-C, -21, -23, -32)

IM-240XWNE (-21, -23, -32)

### E. CONTROL BOX ASSY

50Hz (K-1) to (B-0)

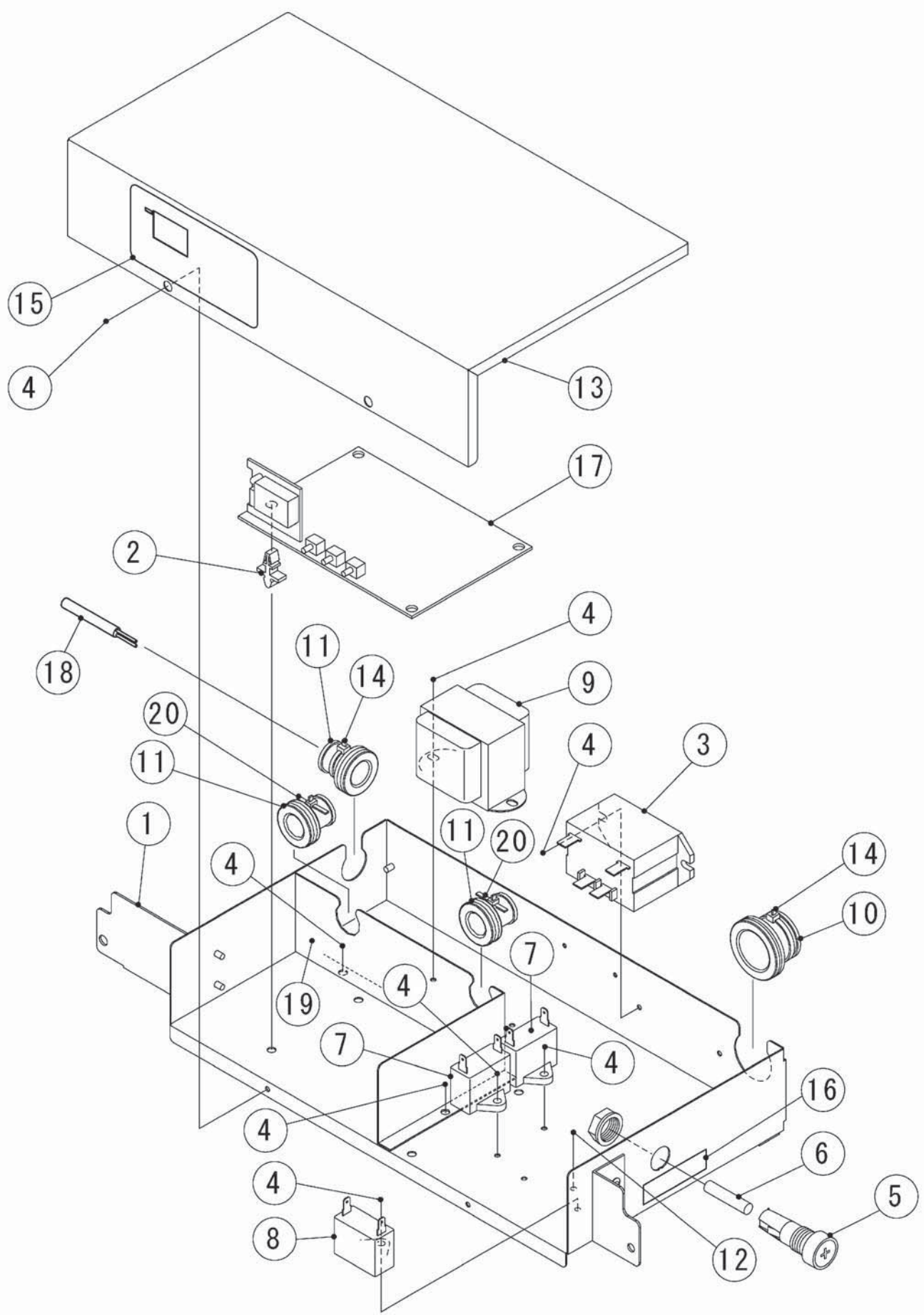
60Hz (K-1) to (C-0)



IM-240DWNE (-C, -21, -23, -32)  
IM-240XWNE (-21, -23, -32)

50Hz (B-1) and later  
60Hz (C-1) and later

### E. CONTROL BOX ASSY



**HE,GENERAL(50Hz)(60Hz),HSP,AUSTRALIA,KOREA,CHINA**

MODEL : IM-240DWNE(-C,-21,-23,-32) IM-240XWNE(-21,-23,-32)		TITLE : E. CONTROL BOX ASSY						
INDEX NO.	DESCRIPTION	MATERIAL OR MODEL NUMBER	PART NUMBER	REQ'D NUMBER				
				K-1 B-0	B-1 B-2	B-3 C-0	C-1 G-0	G-1
1	CONTROL BOX G	(50Hz)	3Y5076G01	1	-	-	-	-
			3Y6694G01	-	1	-	-	-
			3Y7203G01	-	-	1	1	1
		(60Hz)	3Y5076G01	1	1	1	-	-
			3Y7203G01	-	-	-	1	1
2	BOARD SUPPORT	-	P04204-01	4	4	4	4	4
3	POWER RELAY	-	P00034-01	1	1	1	1	1
4	TRUSS HEAD TAPPING SCREW T2	(50Hz)	FT20408F0	10	-	-	-	-
				-	11	11	11	11
		(60Hz)		10	10	10	-	-
				-	-	-	11	11
5	FUSE HOLDER	(50Hz)	P00014-01	1	1	-	-	-
			P02829-01	-	-	1	1	1
		(60Hz)	P00014-01	1	1	1	-	-
			P02829-01	-	-	-	1	1
6	FUSE	(50Hz)	P01876-01	1	1	-	-	-
			P04203-01	-	-	1	1	1
		(60Hz)	P01876-01	1	1	1	-	-
			P04203-01	-	-	-	1	1
7	CAPACITOR	-	P01870-01	2	2	2	2	2
8	CAPACITOR	-	P01910-01	1	1	1	1	1
9	TRANSFORMER	-	P02714-01	1	1	1	1	1
10	GROMMET	-	4H2568-01	1	1	1	1	1
11	GROMMET	(50Hz)	4H2568-02	1	3	3	3	3
		(60Hz)	4H2568-02	1	1	1	3	3
12	TRUSS HEAD TAPPING SCREW (S-TITE)	-	FTS0408M0	1	1	1	1	1
13	CONTROL BOX COVER	(50Hz)	3Y5077M01	1	-	-	-	-
			3Y6696M01	-	1	1	1	1
		(60Hz)	3Y5077M01	1	1	1	-	-
			3Y6696M01	-	-	-	1	1
14	NYLON TIE	CV-100	7920-0002	2	2	2	2	2
15	CONTROL LABEL	-	475006L01	1	1	1	1	1
		(KOREA)	475641L01	1	1	1	1	1
16	LABEL - FUSE	-	466798-01	1	1	1	1	1
17	CONTROLLER BOARD	-	P01873-01	1	1	1	1	1
18	THERMISTOR-CUBE COTROL	-	P00350-01	1	1	1	1	1

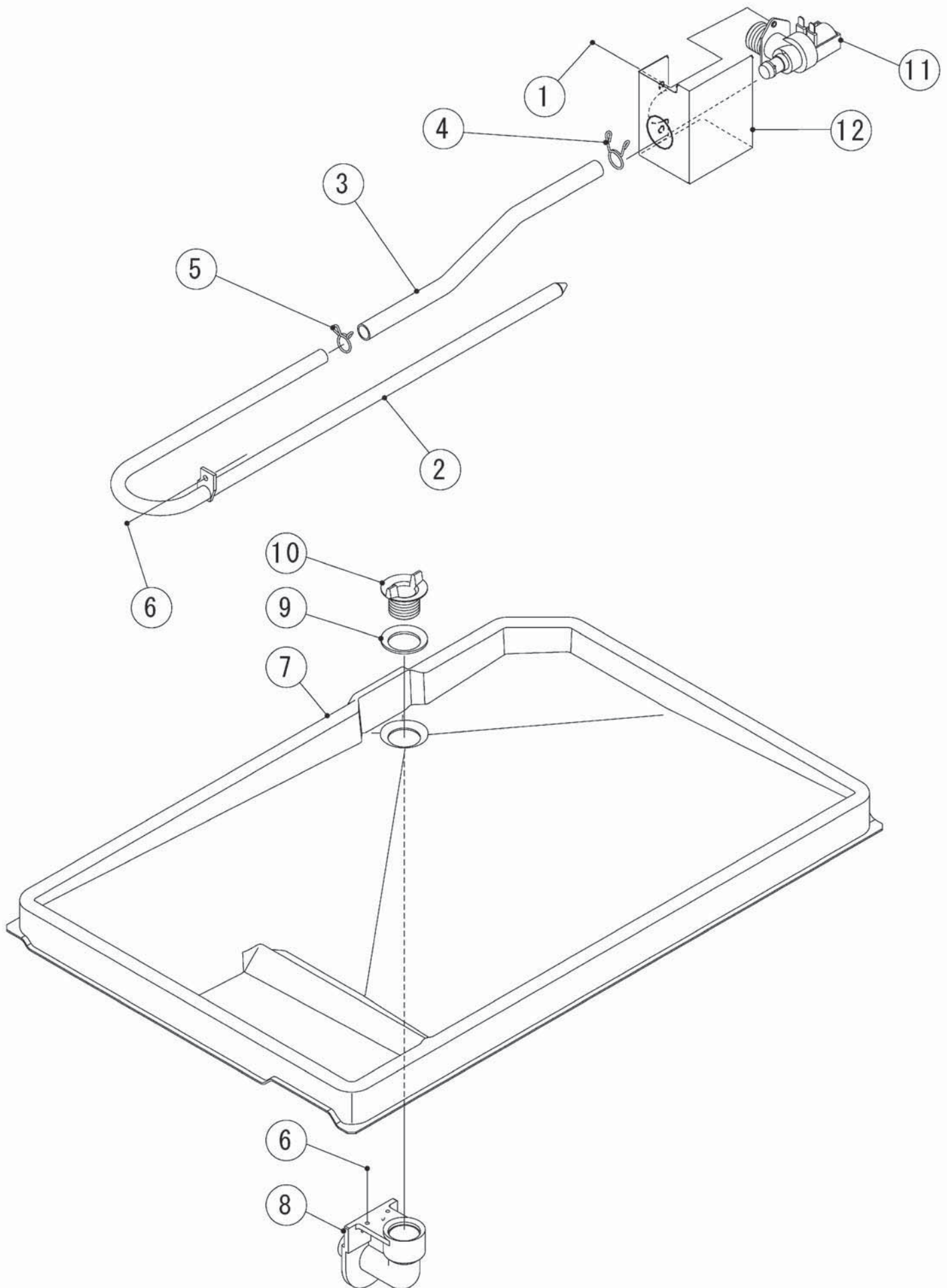




IM-240DWNE (-C, -21, -23, -32)

IM-240XWNE (-21, -23, -32)

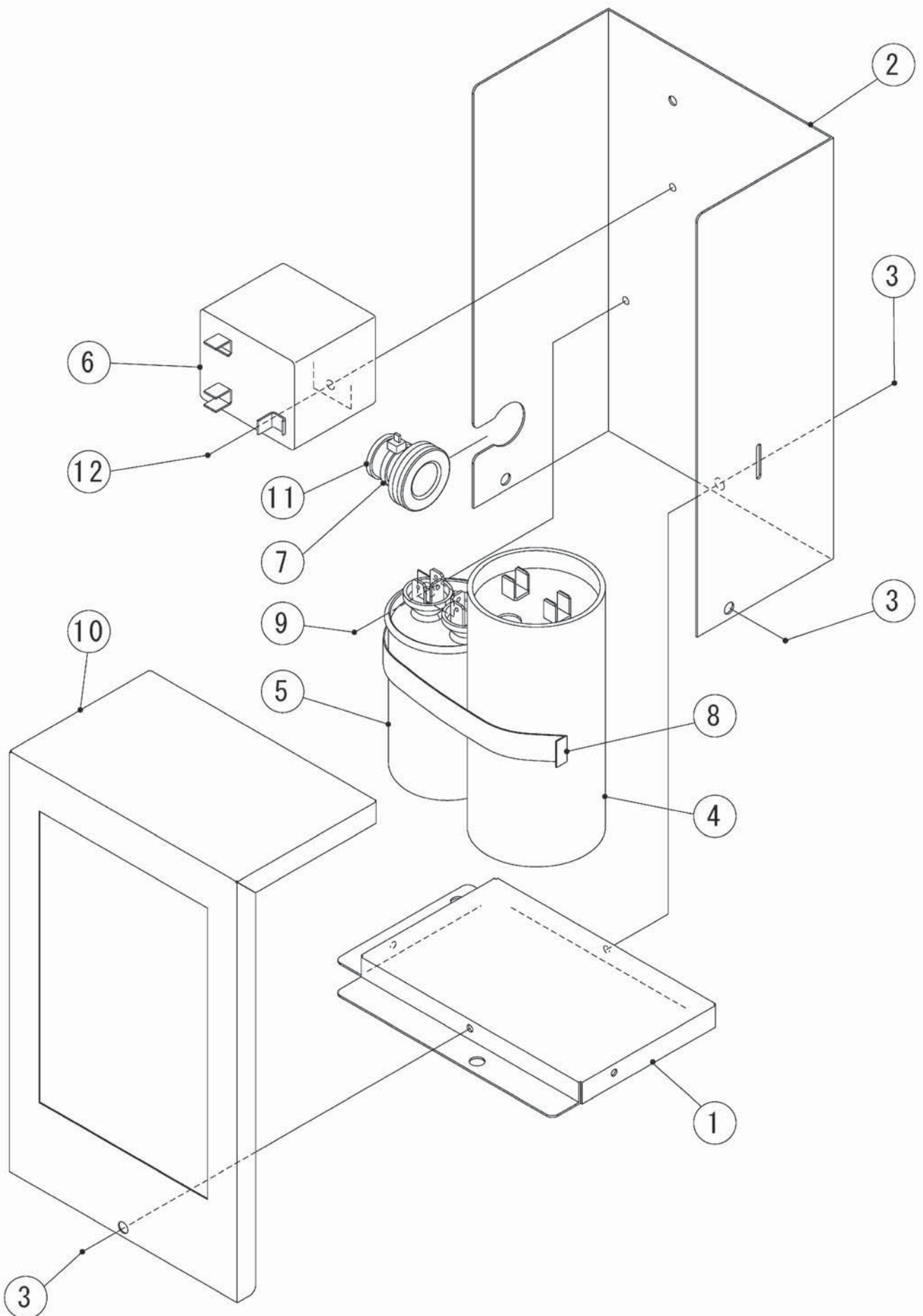
F. WATER CIRCUIT ASSY (K-1) and later





IM-240DWNE (-C, -21, -23, -32)  
IM-240XWNE (-21, -23, -32)

G. CONTROL BOX B-ASSY (K-1) and later

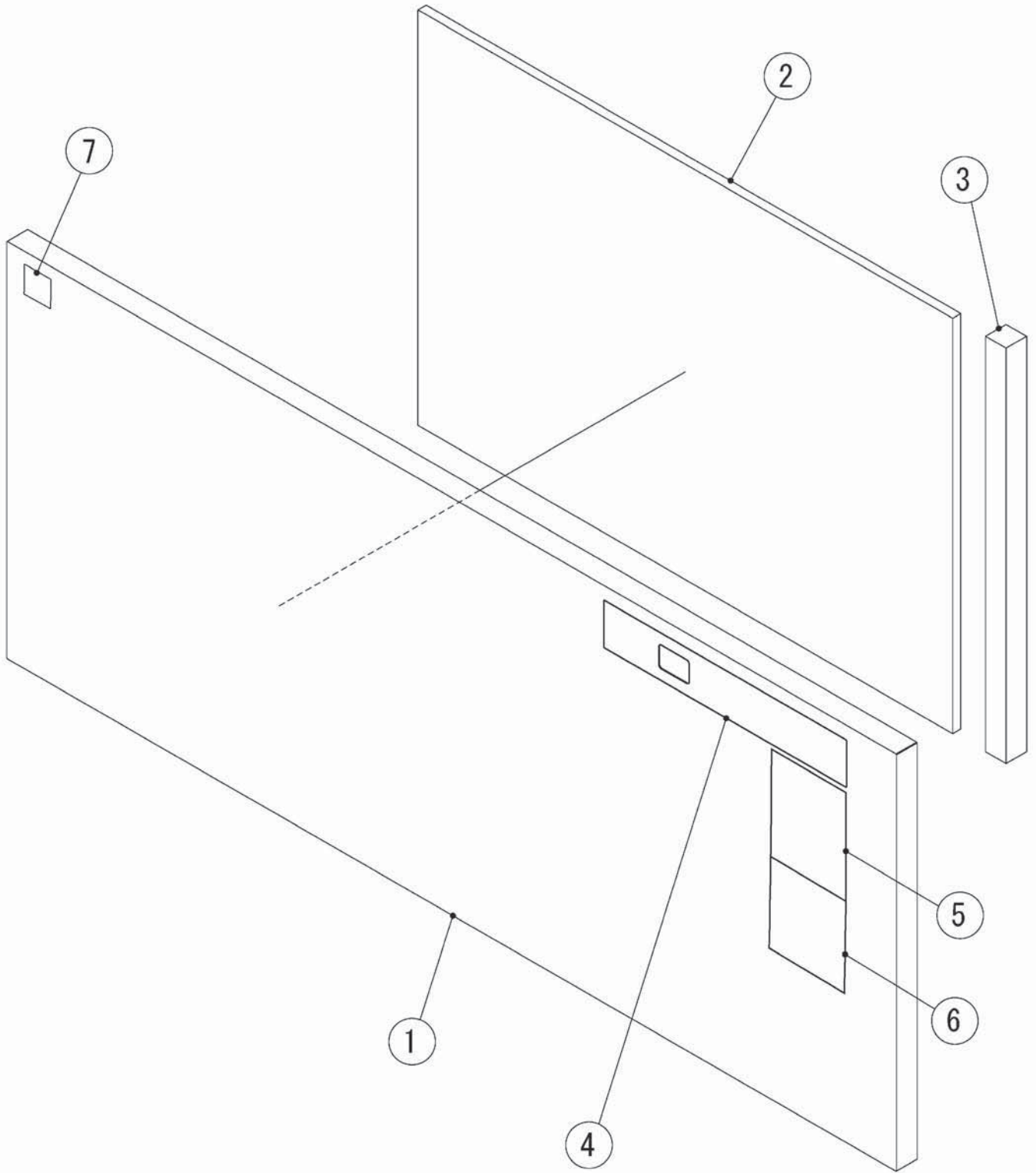




IM-240DWNE (-C, -21, -23, -32)  
IM-240XWNE (-21, -23, -32)

### H. FRONT COVER

(K-1) and later

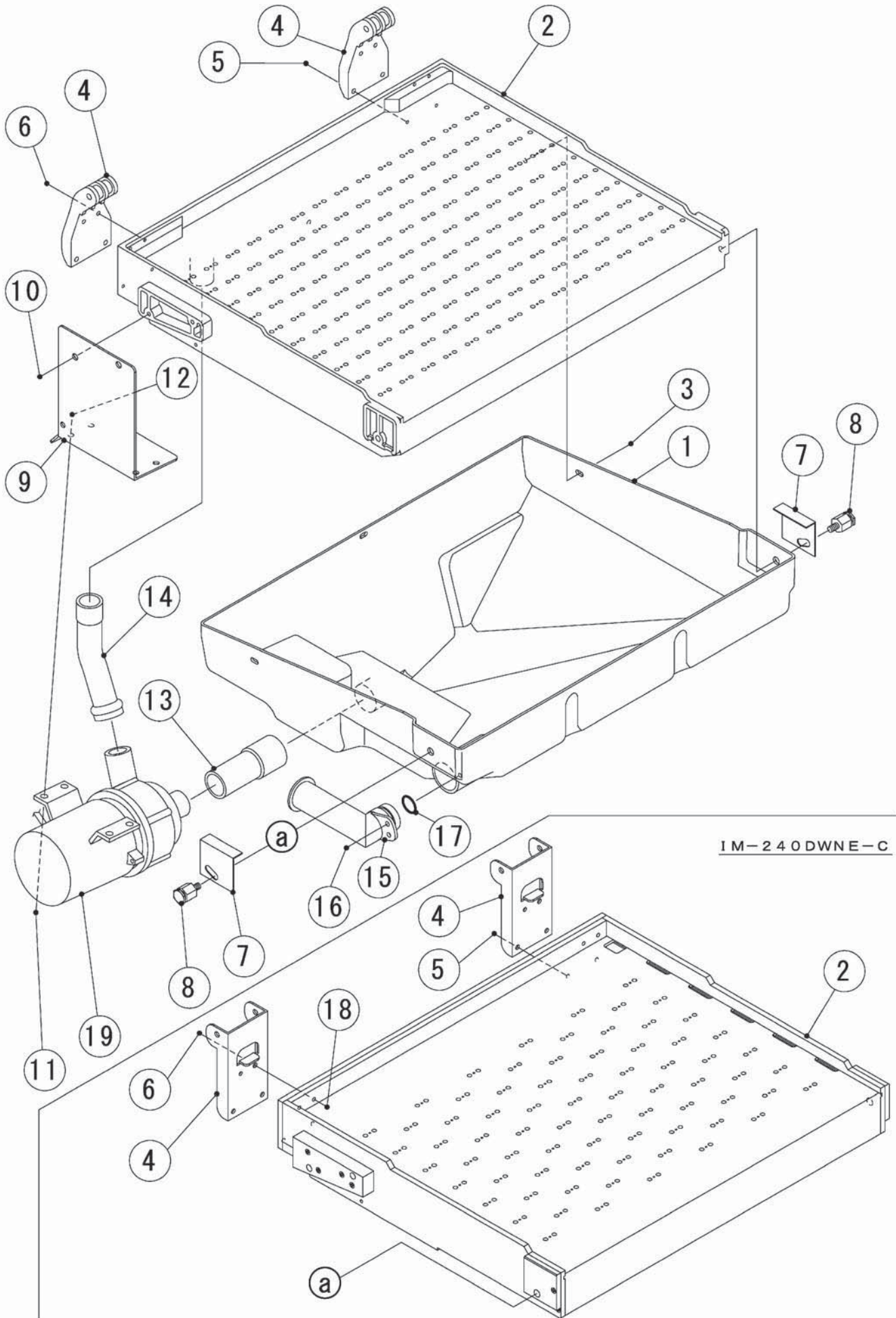




IM-240DWNE (-C, -21, -23, -32)  
IM-240XWNE (-21, -23, -32)

### J. WATER PAN ASSY

(K-1) and later



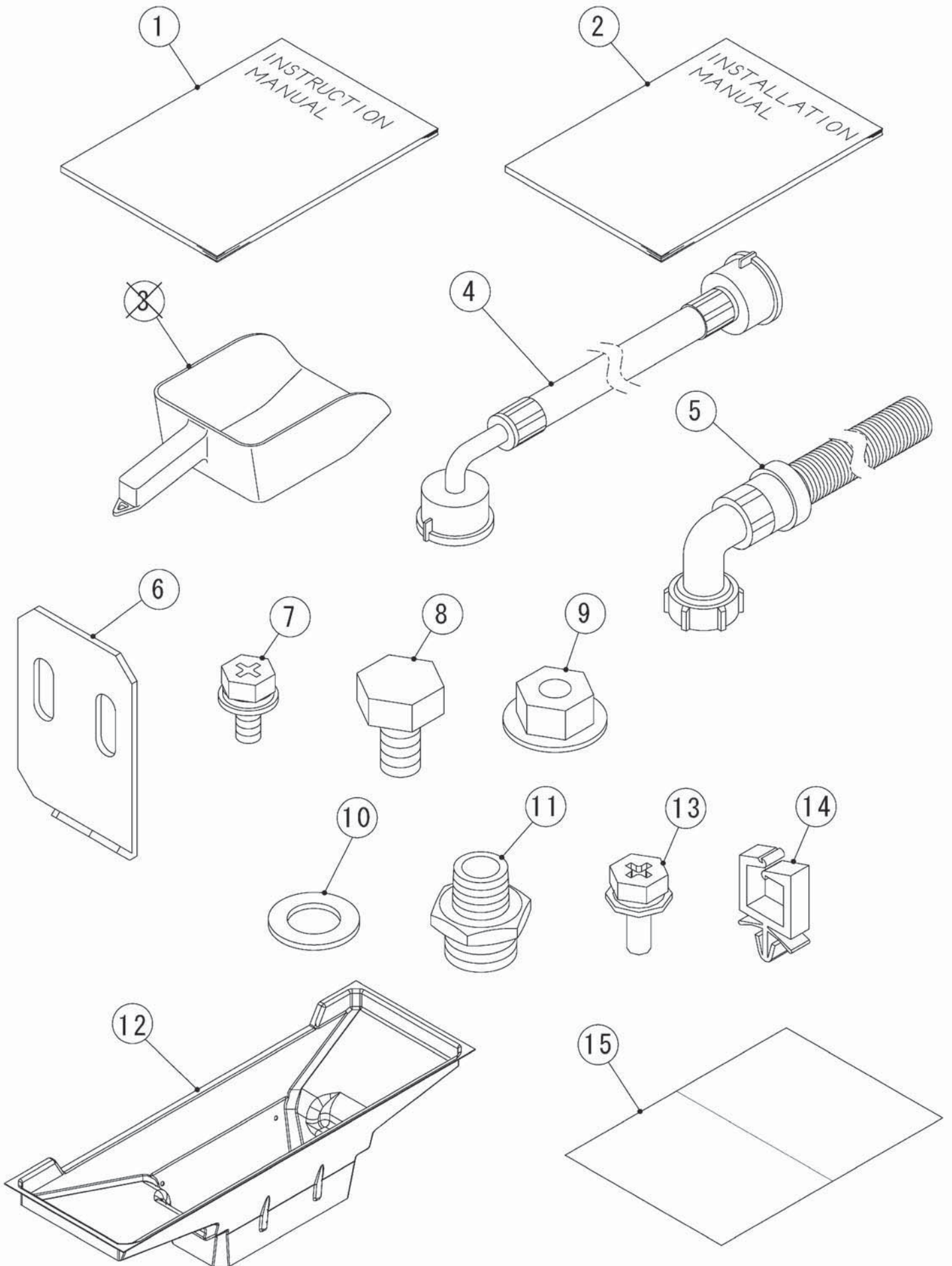




IM-240DWNE (-C, -21, -23, -32)  
IM-240XWNE (-21, -23, -32)

### K. ACCESSORIES

(K-1) and later

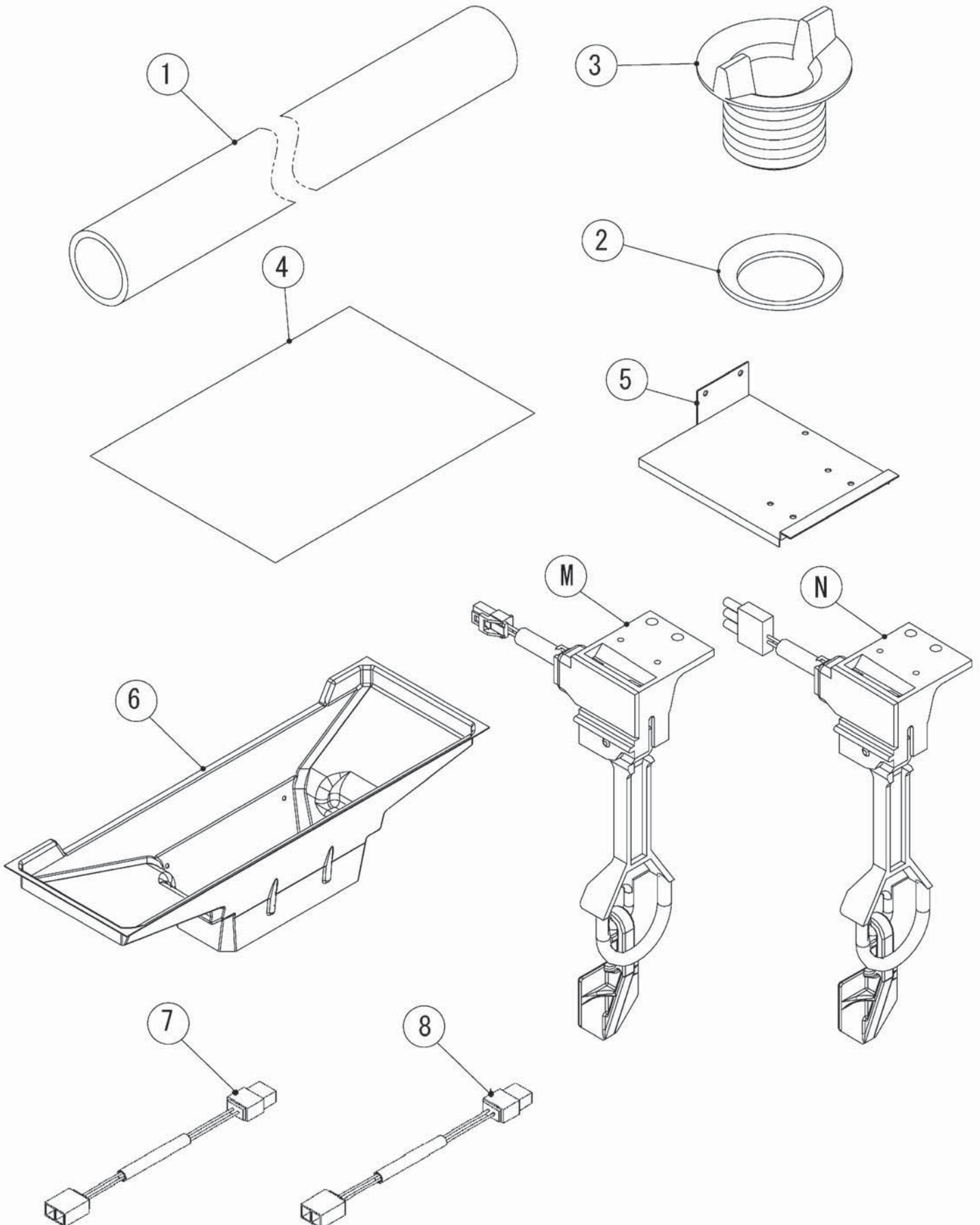




IM-240DWNE (-C, -21, -23, -32)  
IM-240XWNE (-21, -23, -32)

L. OPTIONAL PARTS

(K-1) and later

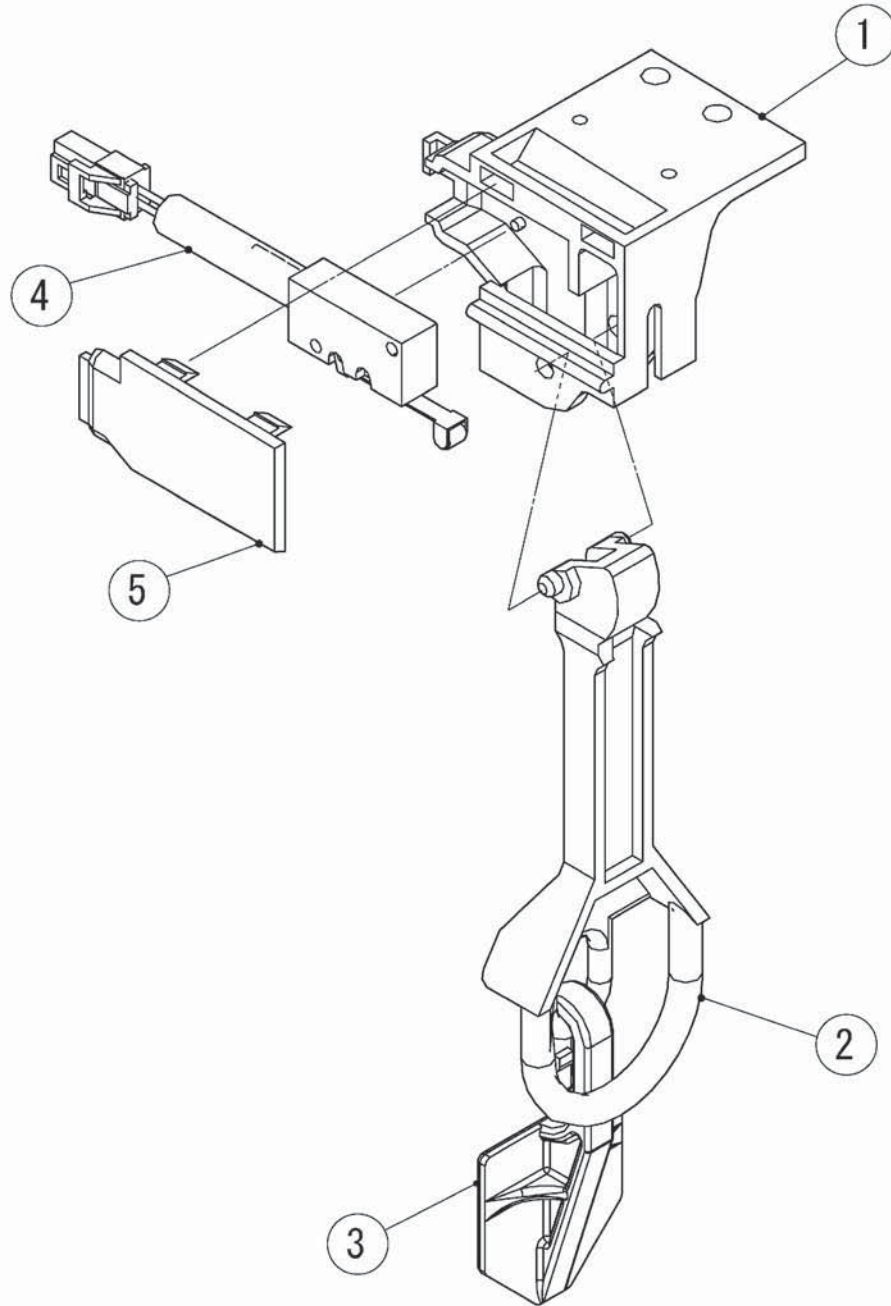




IM-240DWNE (-C, -21, -23, -32)  
IM-240XWNE (-21, -23, -32)

M. BIN SWITCH ASSY

(K-1) and later





IM-240DWNE (-C, -21, -23, -32)  
IM-240XWNE (-21, -23, -32)

N. BIN SWITCH ASSY

(K-1) and later

