



SELF-CONTAINED CUBER

PARTS LIST

[HE]

M113

M113-D001,D009,D012,D013,D014,D015

M113-D100,D101,D109,D112,D113,D114,D115

M113-D200,D201,D209,D212,D213,D214,D215

M113-D300,D301,D309,D312,D313,D314,D315

P-0 DEC. 2024

IM-65PE

IM-65PE-25

IM-65PE-LM

IM-65PE-Q

IM-65WPE

IM-65WPE-25

IM-65WPE-Q

List of Specifications

IM-65PE	M113	Air-cooled Standard
IM-65PE-25	M113-D001	25mm ICE of IM-65PE
IM-65PE-Q	M113-D012	BALL ICE of IM-65PE
IM-65WPE	M113-D013	Water-cooled Standard
IM-65WPE-25	M113-D014	25mm ICE of IM-65PE
IM-65WPE-Q	M113-D015	BALL ICE of IM-65PE
IM-65PE-F	M113-D100	Air-cooled Standard
IM-65PE-F-25	M113-D101	25mm ICE of IM-65PE
IM-65PE-F-Q	M113-D112	BALL ICE of IM-65PE
IM-65WPE-F	M113-D113	Water-cooled Standard
IM-65WPE-F-25	M113-D114	25mm ICE of IM-65PE
IM-65WPE-F-Q	M113-D115	BALL ICE of IM-65PE
IM-65PE-U	M113-D200	Air-cooled Standard
IM-65PE-U-25	M113-D201	25mm ICE of IM-65PE
IM-65PE-U-Q	M113-D212	BALL ICE of IM-65PE
IM-65WPE-U	M113-D213	Water-cooled Standard
IM-65WPE-U-25	M113-D214	25mm ICE of IM-65PE
IM-65WPE-U-Q	M113-D215	BALL ICE of IM-65PE
IM-65PE-E	M113-D300	Air-cooled Standard
IM-65PE-E-25	M113-D301	25mm ICE of IM-65PE
IM-65PE-E-Q	M113-D312	BALL ICE of IM-65PE
IM-65WPE-E	M113-D313	Water-cooled Standard
IM-65WPE-E-25	M113-D314	25mm ICE of IM-65PE
IM-65WPE-E-Q	M113-D315	BALL ICE of IM-65PE

List of Functions

Basic		Cube
Basic + DP	F	FlexCube
Basic + UV	U	UltraCube
Basic + IoT + DP + UV	E	EliteCube

Auxiliary Codes

Auxiliary Code Breakdown

The auxiliary code is the first two characters in the serial number. The first character indicates the year. Years progress or regress in alphabetical order. The series runs from "A" through "V" and the letters "I" and "O" are skipped. The second character indicates significant part changes within a year. Base is "0" and this number advances for each change. In cases where there is a letter in parentheses, this designates the month. This is the last character in the serial number. The series runs from "(A)" through "(M)" and the letter "(I)" is skipped. This designation is only included when identifying a parts change within an auxiliary code.

Note About Ordering Parts

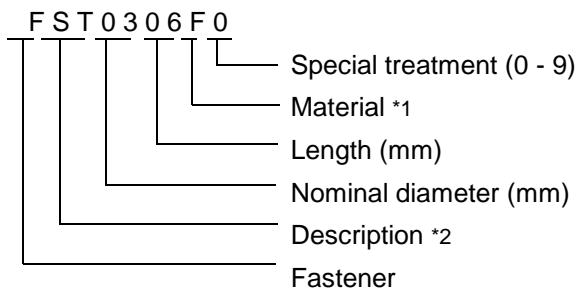
Most assemblies cannot be ordered as complete units; parts in the assemblies generally must be ordered separately.

MARKS LOCATED UNDER THE AUXILIARY CODE

- = Part deleted.

FASTENER PART NUMBER

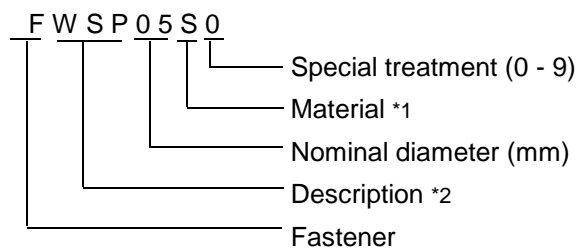
SCREWS



*1

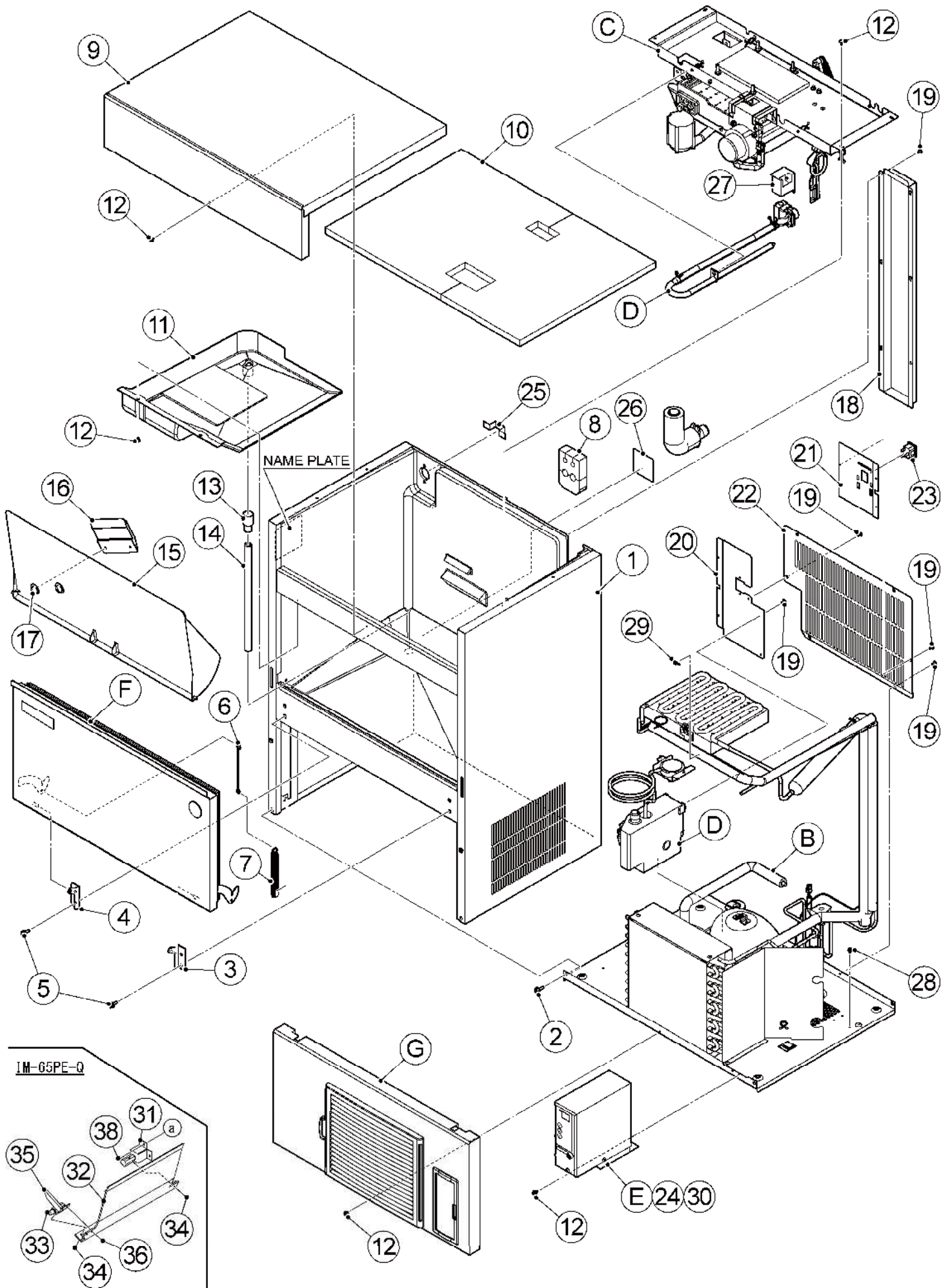
F: Steel
S: Austenitic stainless steel
M: Martensitic stainless steel
B: Copper alloy
P: Polycarbonate
N: Polyamide
V: PVC
A: ABS
X: Polyacetal
L: Aluminum

NUTS & WASHERS



*2

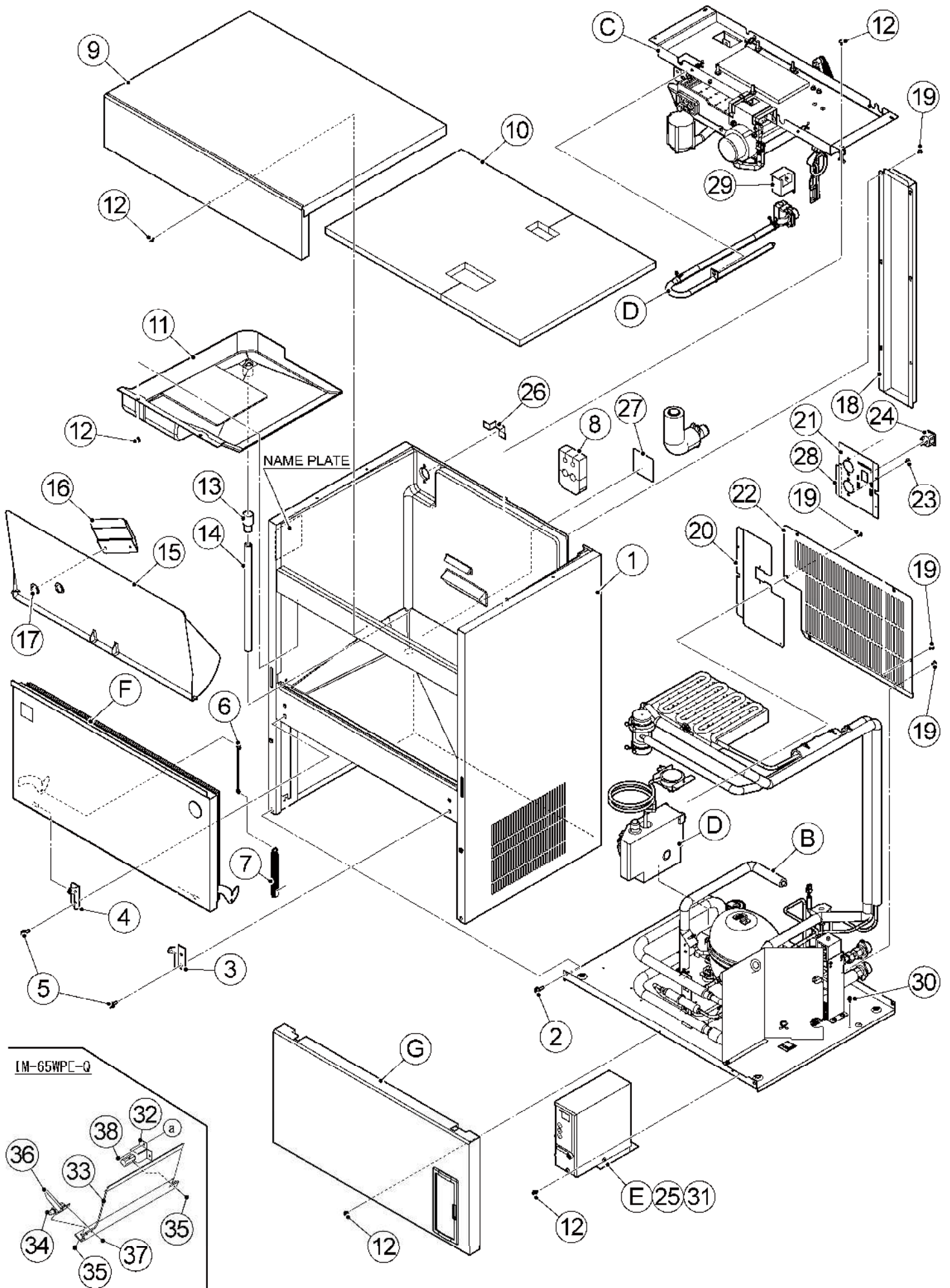
First letter
S: Machine screw
T: Tapping screw
M: Wood screw
B: Bolt
W: Washer
N: Nut



MODEL: **IM-65PE**
 MODEL: **(-25,-LM,-Q)**

TITLE: A. ICE CUBER ASSY

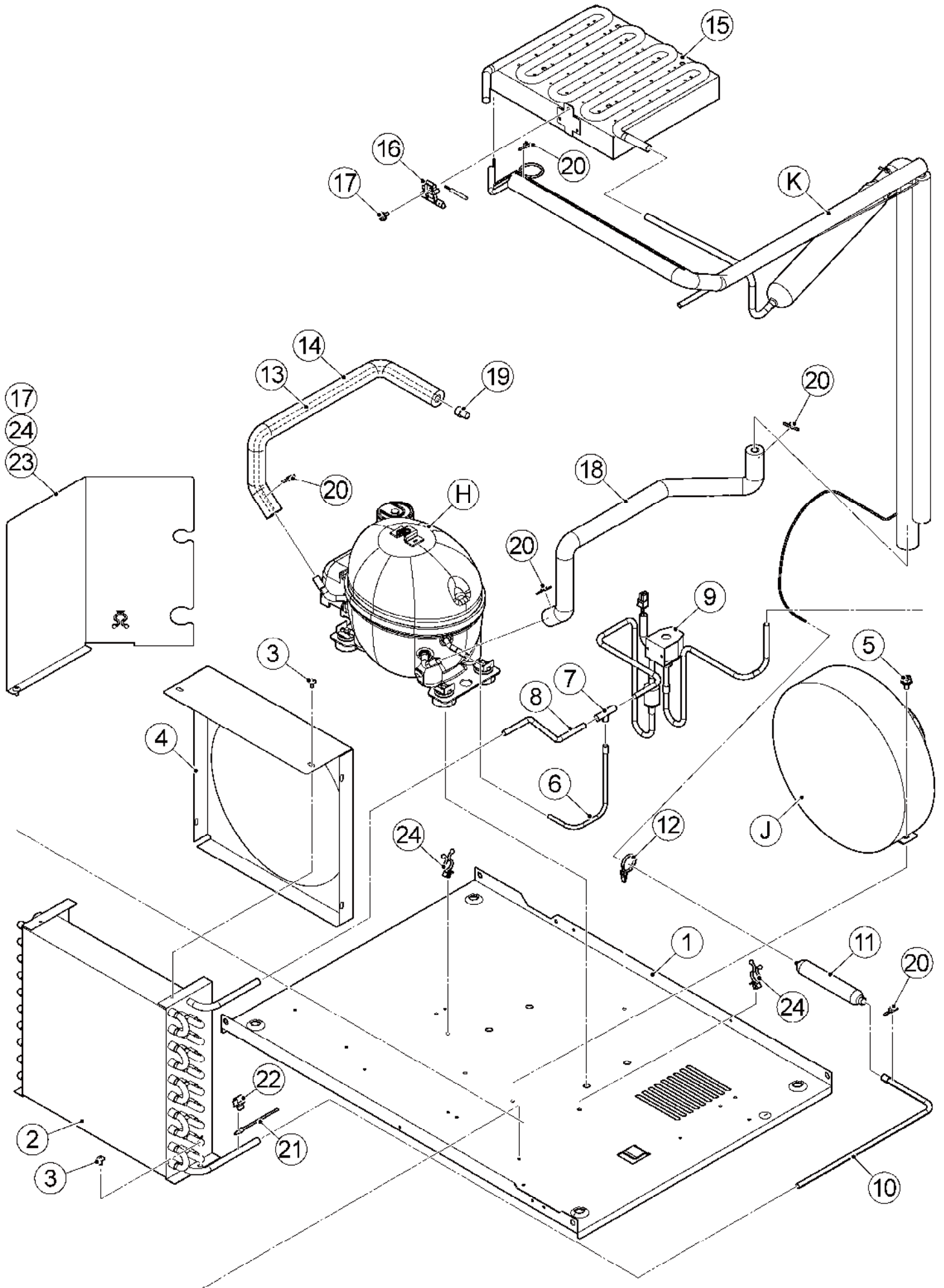
INDEX NO.	DESCRIPTION	MATERIAL OR MODEL NUMBER	PART NUMBER	REQ'D NUMBER				
				P-0				
B	REFRIGERATION ASSY		1E0084A01	1				
		LM	1E0224A01	1				
		Q	1E0084A02	1				
C	ICE MAKING MECHANISM ASSY		1E0085A01	1				
		LM	1E0225A01	1				
		Q	1E0215A01	1				
D	WATER CIRCUIT ASSY		2E0162A01	1				
		LM	2E0354A01	1				
		Q	2E0348A01	1				
E	CONTROL BOX ASSY		3E0346A02	1				
F	DOOR ASSY		3E0168A03	1				
G	FRONT PANEL LOWER ASSY		3E0171A01	1				
R	ACCESSORIES		A04627-01	1				
1	UNIT FRAME		1E0083G01	1				
		LM	1E0083G03	1				
		Q	1E0083G02	1				
2	TAPPING SCREW - HEX		442040-01	4				
3	HINGE (RIGHT)		3E0327M01	1				
4	HINGE (LEFT)		3E0327M02	1				
5	HEX HEAD BOLT (SPRING WASHER AND FLAT WASHER)		FBK0620S0	4				
6	HOOK		404060-10	1				
7	SPRING		4H0823-01	1				
8	INSULATION-BIN		4Y7416P01	1				
9	FRONT PANEL(UPPER)		3E0170G03	1				
		LM,Q	3E0447G01	1				
10	INSULATION - TOP		3Y5960P02	1				
		LM	3Y7387G01	1				
		Q	3Y7530G01	1				
11	DRAIN PAN		2H1441-02	1				
		LM	2H1632G01	1				
		Q	2H1676G01	1				
12	TRUSS HEAD SCREW		FST0408S0	10				
13	DRAIN TUBE		4Z0986R01	1				

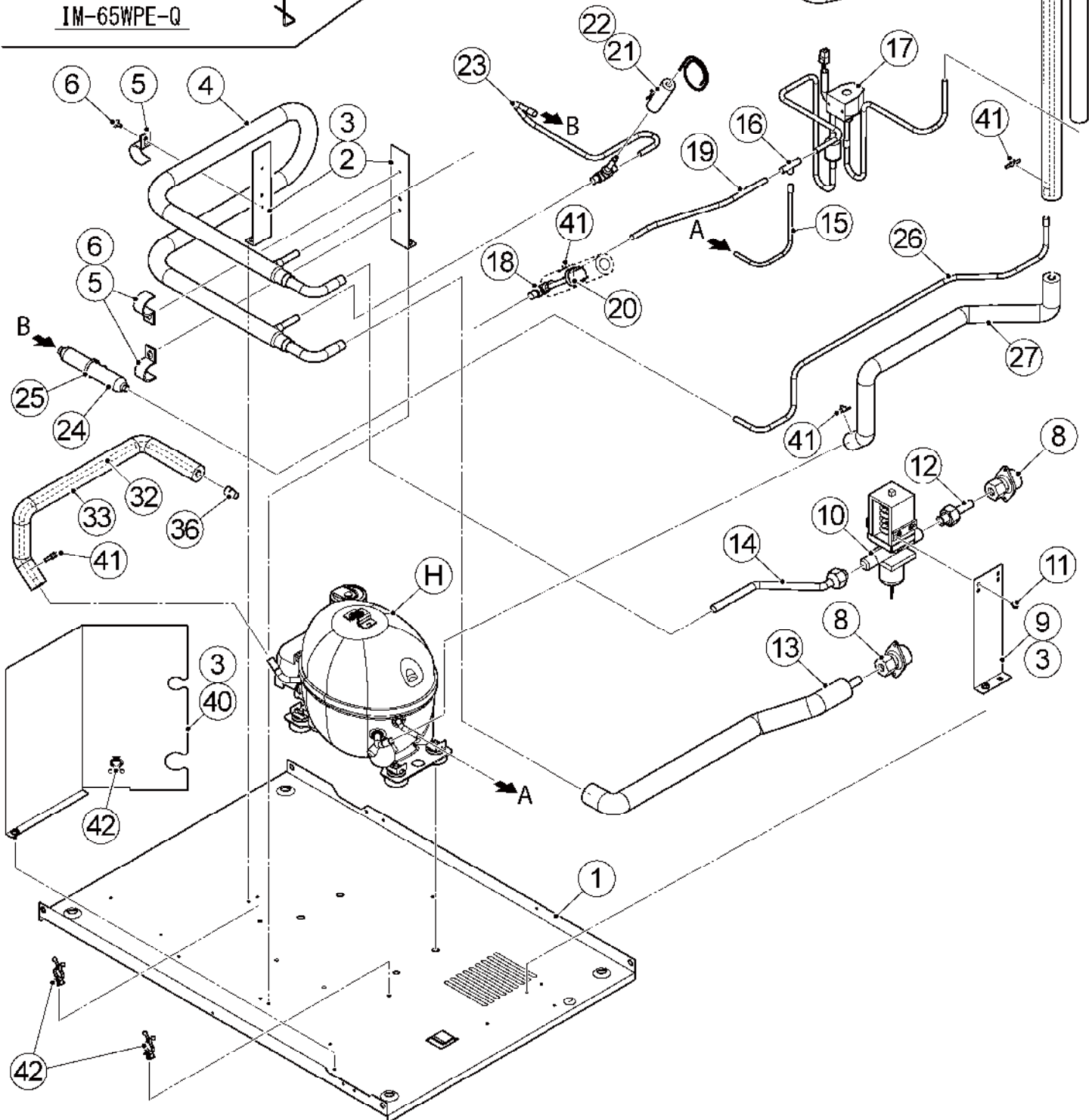
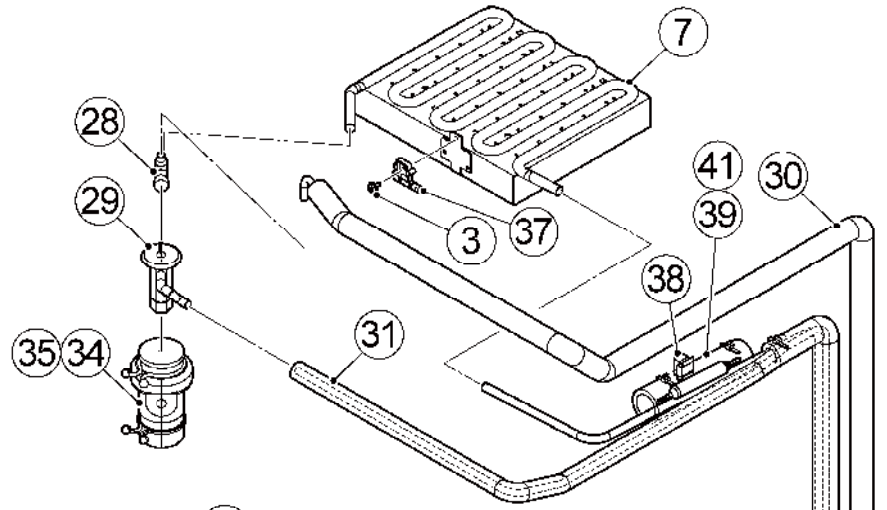
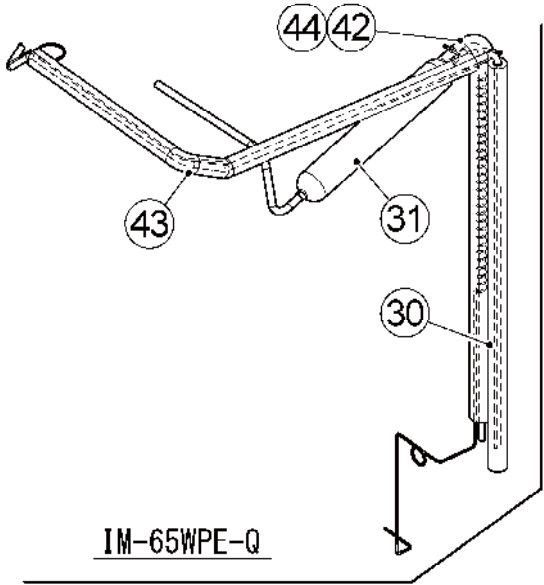


MODEL: **IM-65WPE**
 MODEL: **(-25,-Q)**

TITLE: A. ICE CUBER ASSY

INDEX NO.	DESCRIPTION	MATERIAL OR MODEL NUMBER	PART NUMBER	REQ'D NUMBER				
				P-0				
B	REFRIGERATION ASSY		1E0089A01	1				
		Q	1E0218A01	1				
C	ICE MAKING MECHANISM ASSY		1E0085A01	1				
		Q	1E0215A01	1				
D	WATER CIRCUIT ASSY		2E0162A01	1				
		Q	2E0348A01	1				
E	CONTROL BOX ASSY		3E0346A02	1				
F	DOOR ASSY		3E0168A03	1				
G	FRONT PANEL LOWER ASSY		3E0171A02	1				
R	ACCESSORIES		A04658-01	1				
1	UNIT FRAME		1E0083G01	1				
		Q	1E0083G02	1				
2	TAPPING SCREW - HEX		442040-01	4				
3	HINGE (RIGHT)		3E0327M01	1				
4	HINGE (LEFT)		3E0327M02	1				
5	HEX HEAD BOLT (SPRING WASHER AND FLAT WASHER)		FBK0620S0	4				
6	HOOK		404060-10	1				
7	SPRING		4H0823-01	1				
8	INSULATION-BIN		4Y7416P01	1				
9	FRONT PANEL(UPPER)		3E0170G03	1				
		Q	3E0447G01	1				
10	INSULATION - TOP		3Y5960P02	1				
		Q	3Y7530G01	1				
11	DRAIN PAN		2H1441-02	1				
		Q	2H1676G01	1				
12	TRUSS HEAD SCREW		FST0408S0	10				
13	DRAIN TUBE		4Z0986R01	1				
14	DRAIN PIPE		4Y7493P03	1				
		Q	4Y7493P04	1				
15	SLOPE		2H1349-02	1				
		Scoop Holder Parts	3E0348G01	1				
16	HOLDER - SCOOP	Scoop Holder Parts	393026G01	1				
17	THUMB SCREW	Scoop Holder Parts	456279G01	2				
18	COVER - PIPE		3E0172M01	1				

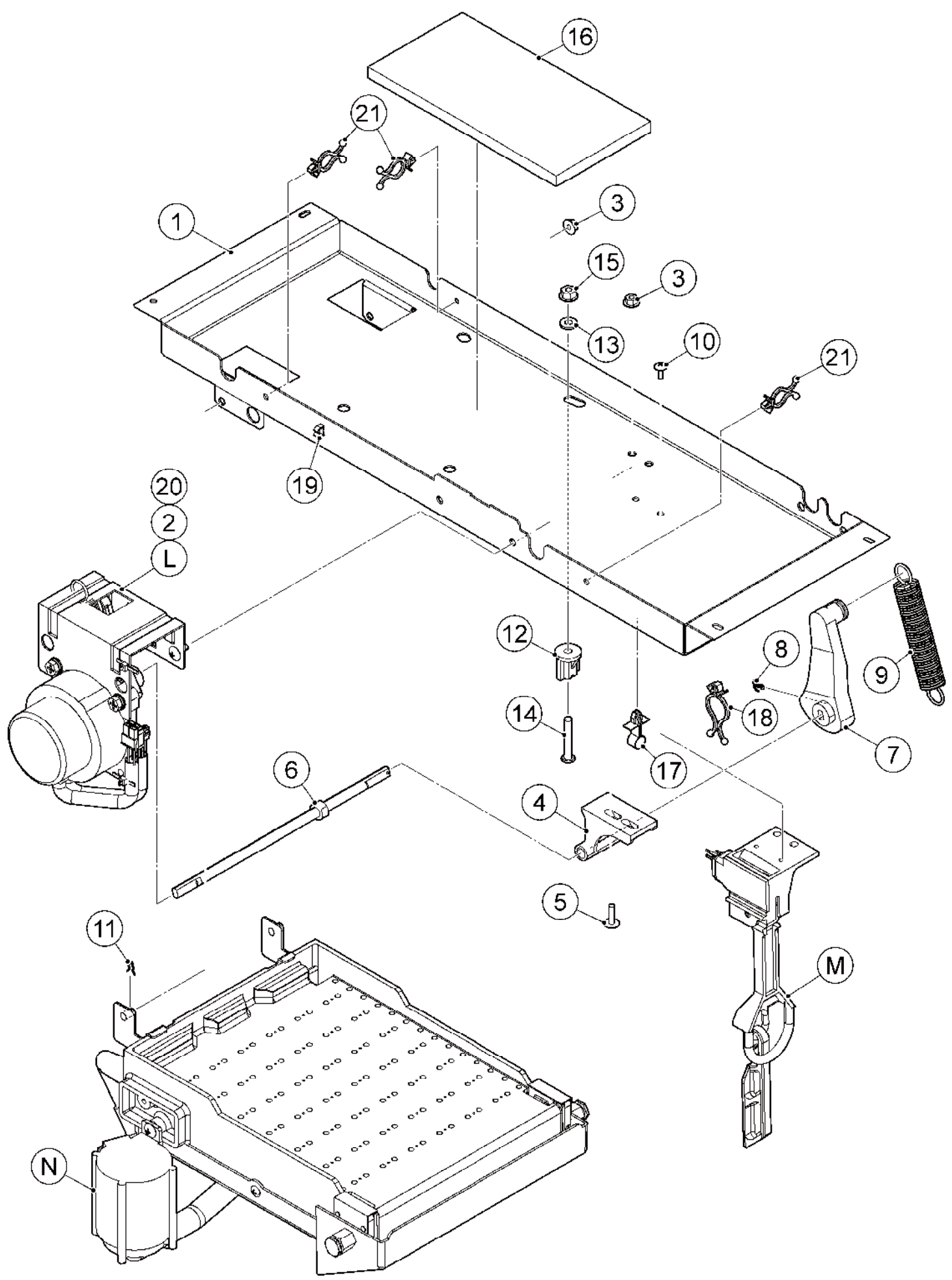


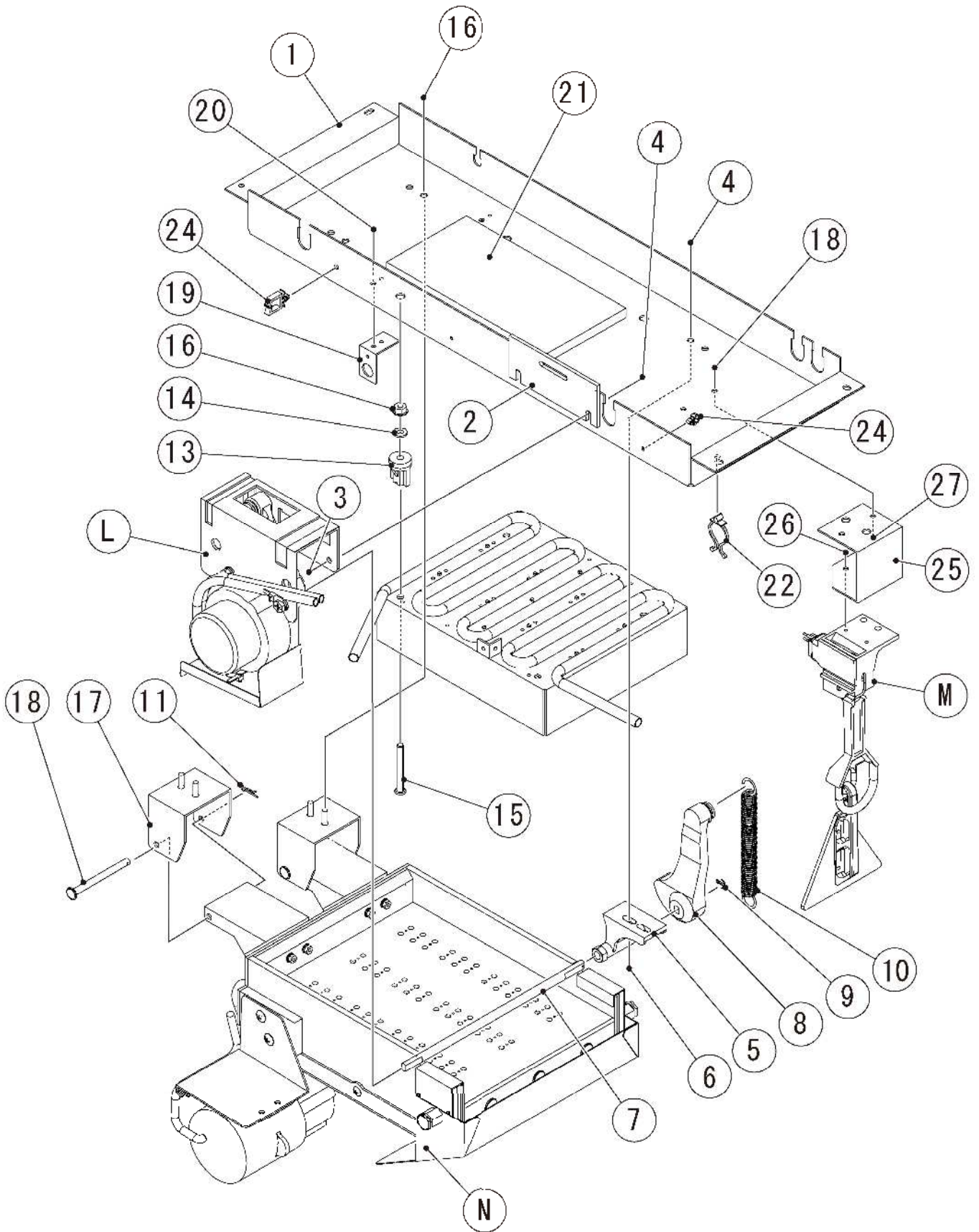


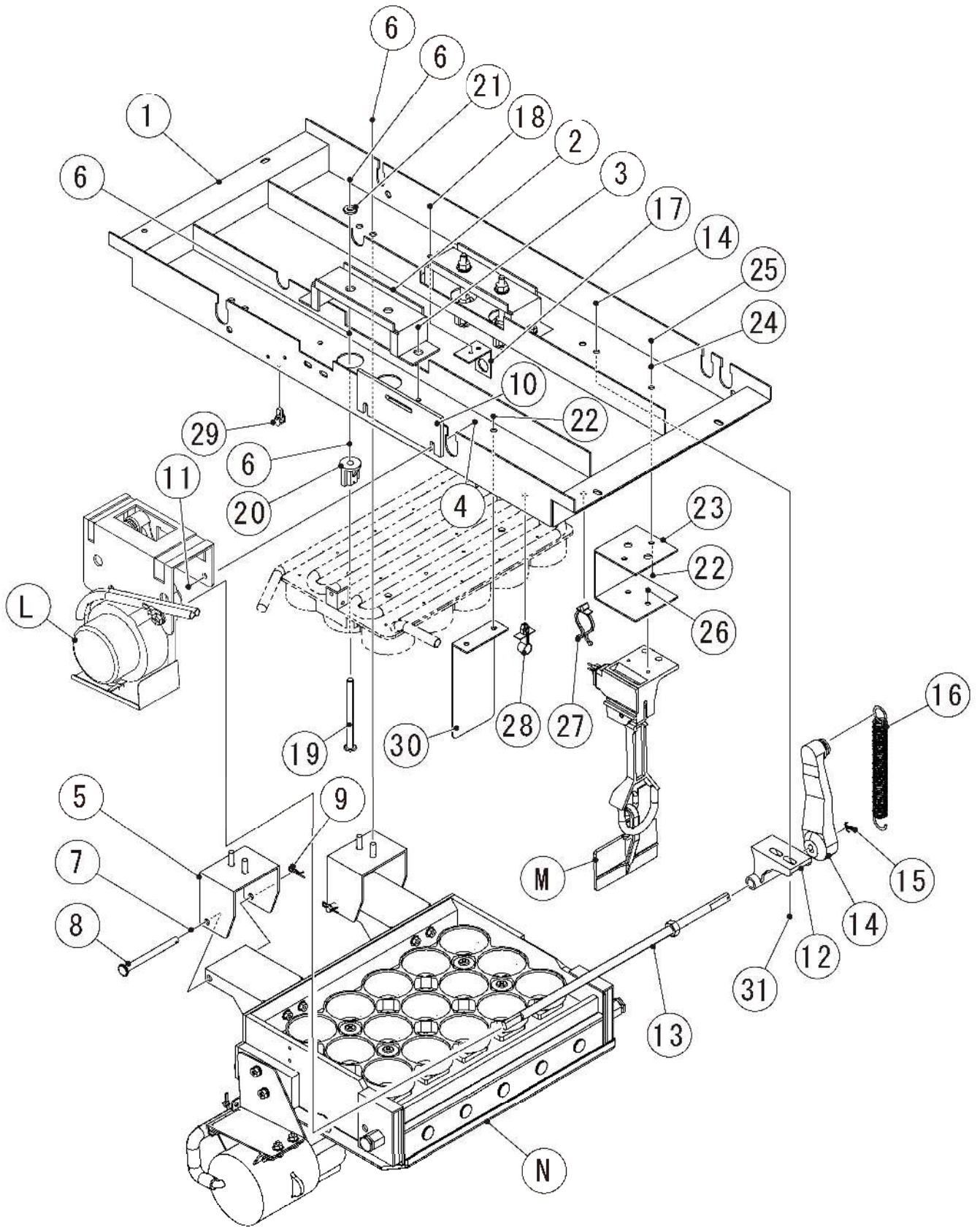
MODEL: **IM-65WPE**
 MODEL: **(-25,-Q)**

TITLE: **B. REFRIGERATION ASSY**

INDEX NO.	DESCRIPTION	MATERIAL OR MODEL NUMBER	PART NUMBER	REQ'D NUMBER				
				P-0				
H	COMPRESSOR ASSY		381864A01	1				
1	BASE		1E0086M01	1				
2	BRACKET - CONDENSER		4H5731-01	2				
3	Flange Bolt (C-TITE)		FTR0408M0	9				
4	CONDENSER - WATER COOLING		2X0688G01	1				
5	CLAMP(B)-CONDENSER		4H0622-01	3				
6	T2 TRUSS HEAD SCREW		FT20408F0	3				
7	EVAPORATOR		2X6728G02	1				
		25mm	2X6727G01	1				
		Q	2E0071G01	1				
8	FITTING(P)		3Y0747A01	2				
9	BRACKET - WATER REGULATOR		4E0134M01	1				
10	WATER REGULATOR		P05382-01	1				
11	PAN HEAD SCREW		FSP0406S0	2				
12	PIPE(C) - WATER		4Y7391A01	1				
13	PIPE (A) - WATER		3E0196G01	1				
14	PIPE (B) - WATER		4E0135A01	1				
15	PIPE (A) - HIGH SIDE		4E0129M01	1				
16	TEE - 6.4		417394-01	1				
17	HOT GAS VALVE (G)		3E0180G01	1				
18	TEE		439140-02	2				
19	PIPE (B) - HIGH SIDE		4E0136M01	1				
20	PRESSURE SWITCH		459863-08	1				
21	Insulation Tube		H71020A55	1				
22	TIE		7920-0002	2				
23	PIPE (C) - HIGH SIDE		3E0197M01	1				
		Q	4E0300M01	1				
24	DRIER		P04629-01	1				
		Q	P03584-01	1				
25	CABLE TIE		P05042-01	1				
26	PIPE (D) - HIGH SIDE	EXCEPT Q	3E0198M01	1				
27	PIPE (A) - LOW SIDE		3E0183G01	1				
28	TEE	EXCEPT Q	420335-01	1				
29	EXPANSION VALVE	EXCEPT Q	P05535-01	1				





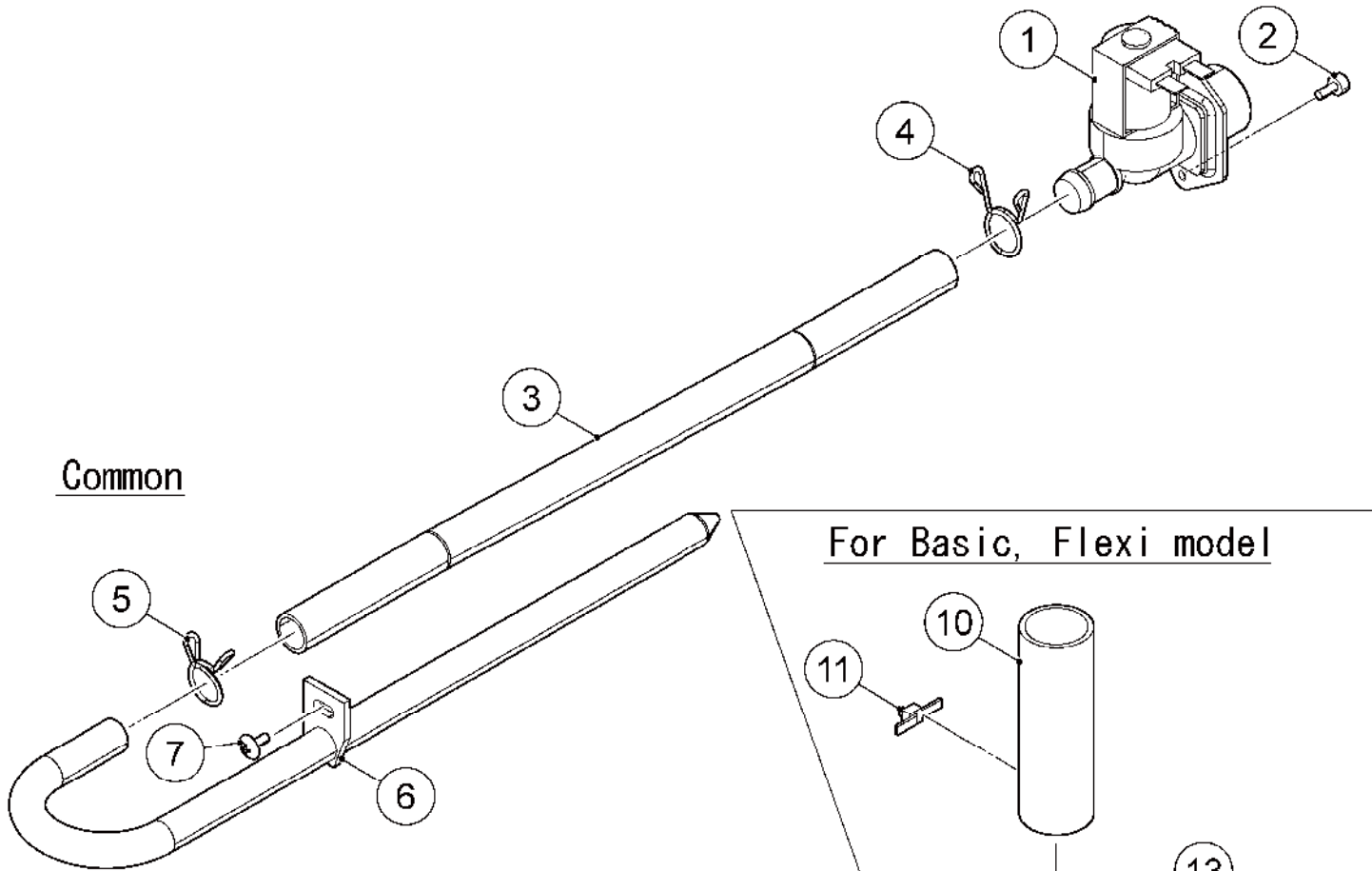


HE

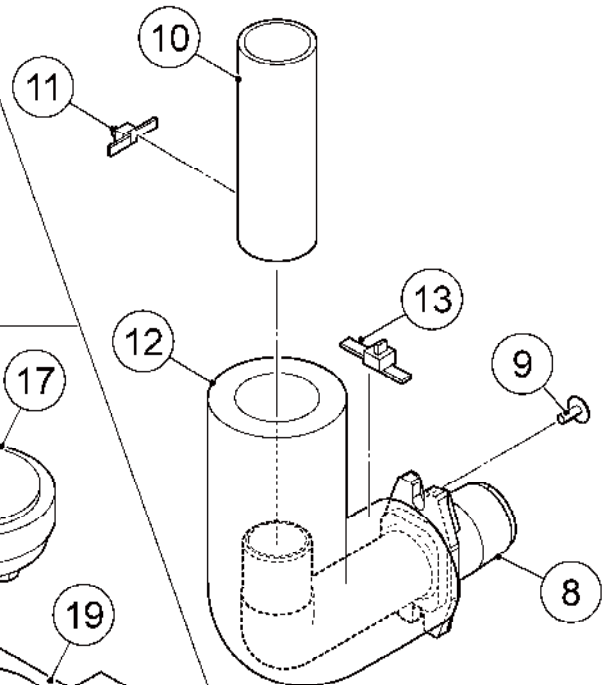
MODEL: **IM-65PE,IM-65WPE**
 MODEL: **(-Q)**

TITLE: **C. ICE MAKING MECHANISM ASSY**

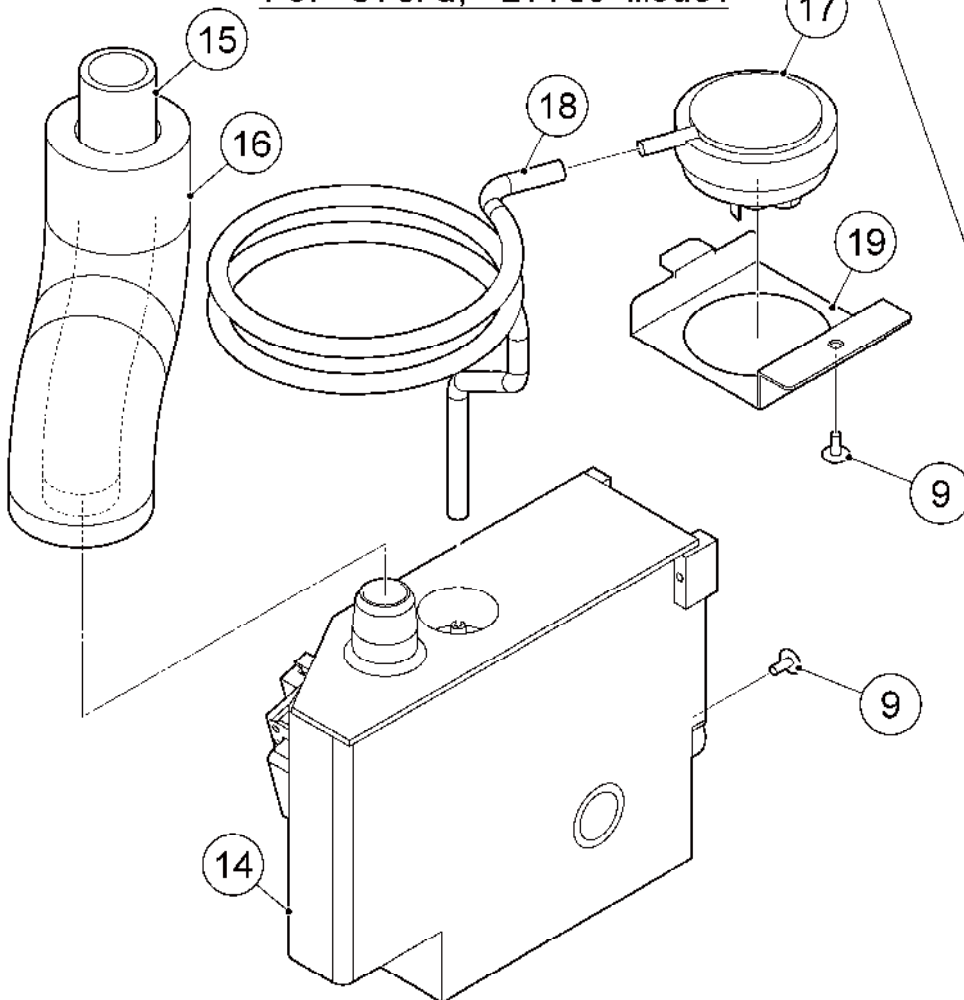
INDEX NO.	DESCRIPTION	MATERIAL OR MODEL NUMBER	PART NUMBER	REQ'D NUMBER				
				P-0				
L	ACTUATOR MOTOR ASSY		3E0188A04	1				
M	BIN CONTROL SWITCH		3E0426A03	1				
N	WATER PAN ASSY		2E0349A01	1				
1	MECHANISM BASE		1E0123M01	1				
2	BRACKET-EVAPORATOR		3H5000-01	2				
3	HEX HEAD BOLT (SPRING WASHER AND FLAT WASHER)		FBK0512S0	4				
4	FLANGE NUT		FNHF05S0	8				
5	BEARING-WATER PAN		3H5926G01	2				
6	FLANGE NUT		FNHF06S0	16				
7	FLAT WASHER		FWPL06N0	4				
8	SHAFT (A)		4H1184-01	2				
9	SNAP PIN		715S-0006	2				
10	SPACER(C)		4Y6145P01	1				
11	TRUSS HEAD SCREW		FST0516S0	2				
12	CAM SHAFT BEARING		307256-02	1				
13	CAM SHAFT(A)		4H7247G01	1				
14	CAM (B)		315775-01	1				
15	CUTTER PIN		711S-0212	1				
16	SPRING		4H0287-01	1				
17	BRACKET-PIPE		4H5585-01	2				
18	HEX HEAD BOLT SW		FBK0410S0	2				
19	SCREW-EVAPORATOR MOUNTING		4H5788-01	4				
20	SPACER		4H0471-01	4				
21	WASHER		4H0777-01	4				
22	HEX HEAD BOLT SW		FBK0412S0	6				
23	BRACKET - SWITCH		485852M01	1				
24	FLAT WASHER		FWPL04S0	2				
25	FLANGE NUT		FNHF04S0	2				
26	T2 TRUSS HEAD SCREW		FT20410M0	2				
27	CLAMP		P04381-01	1				
28	CLAMP		428644-02	1				
29	CLAMP		P05216-01	1				
30	STOPPER - ICE GUIDE		4Y8238M01	1				
31	HEX HEAD BOLT (SPRING WASHER AND FLAT WASHER)		FBK0516S0	2				

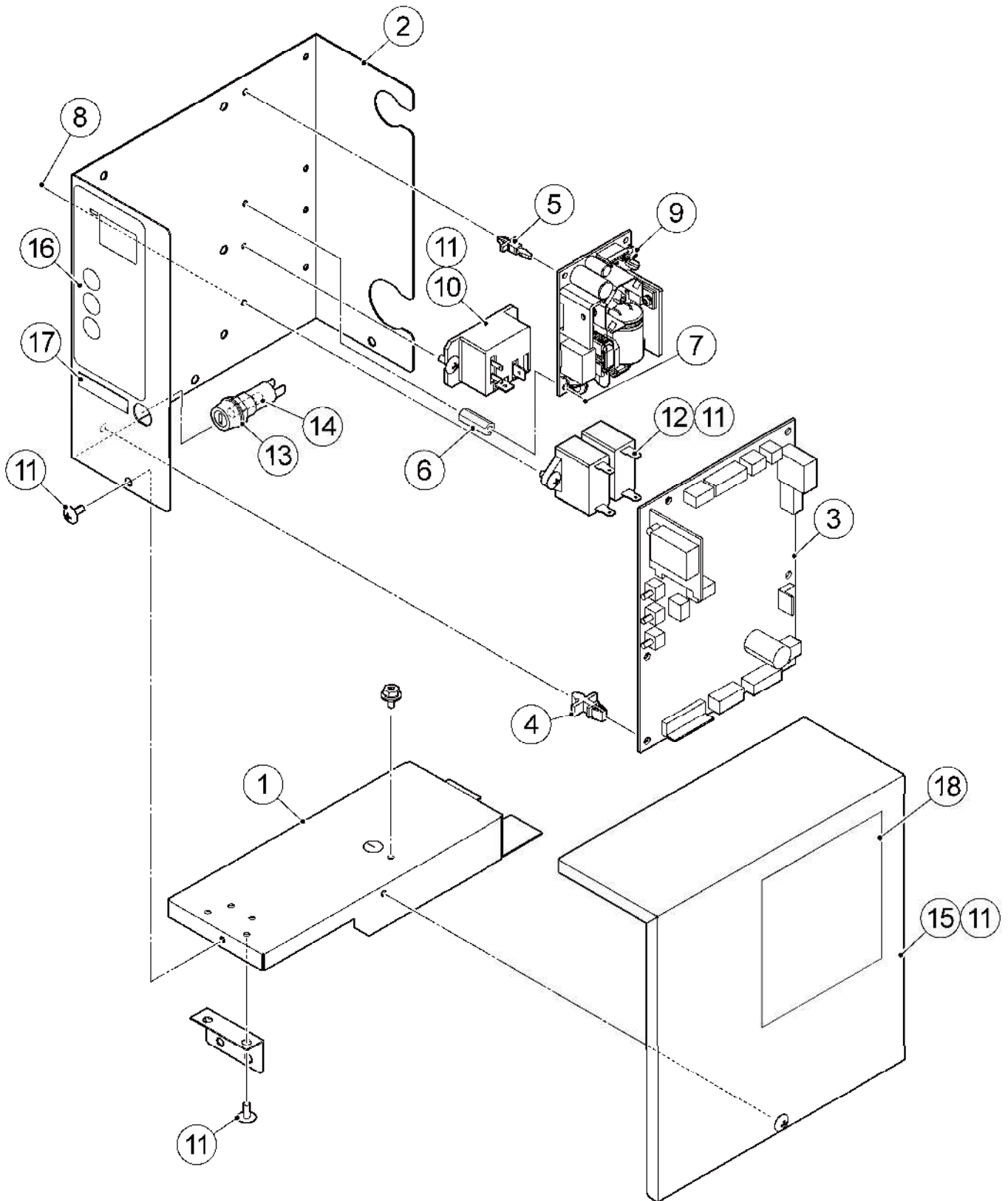


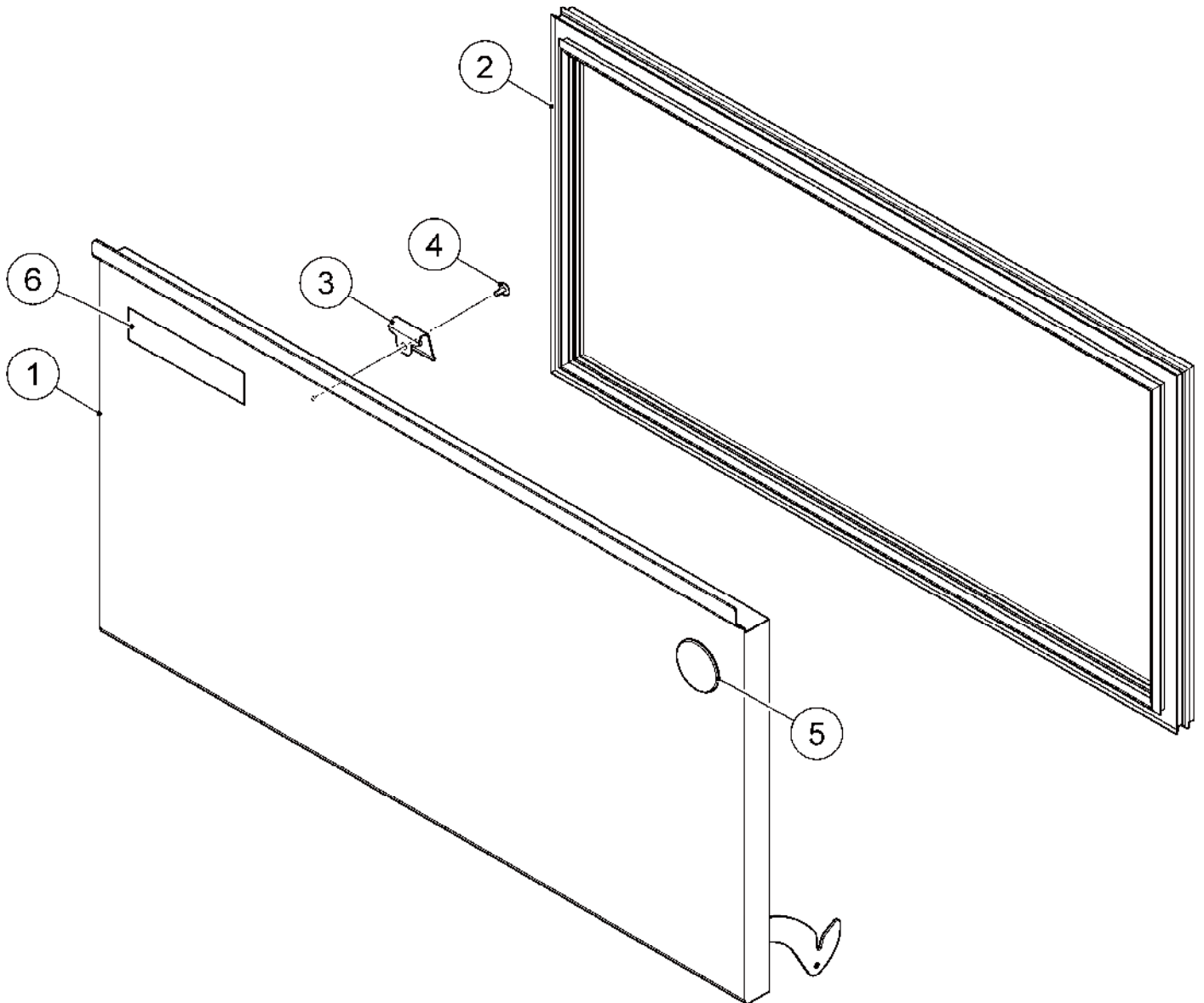
For Basic, Flexi model

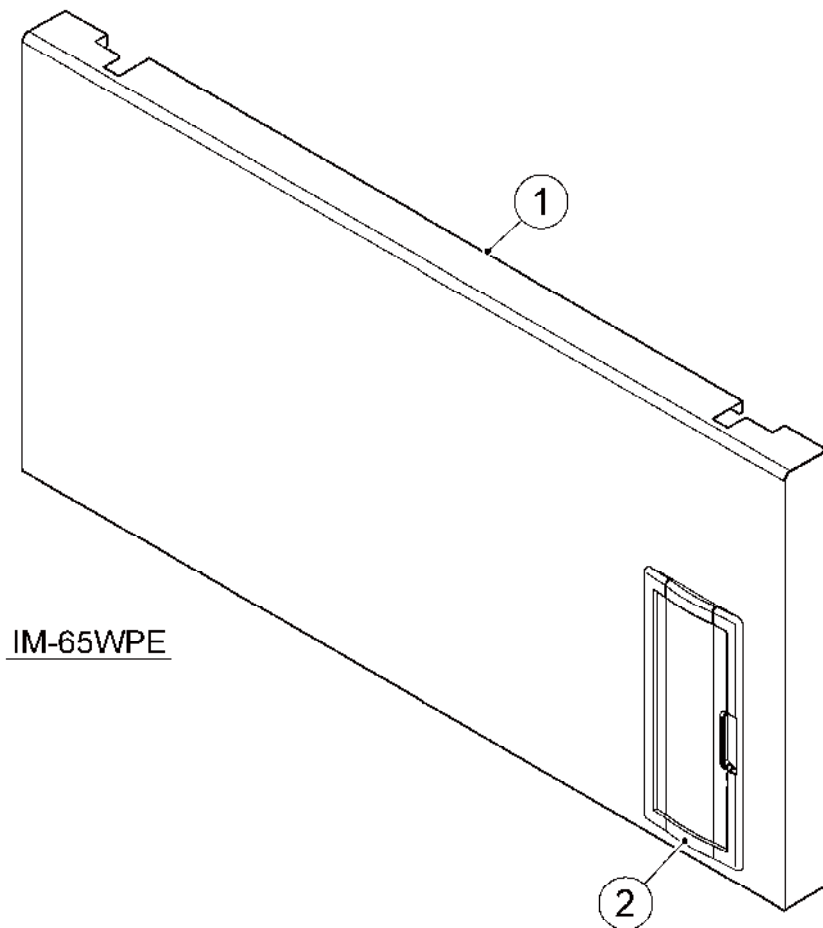
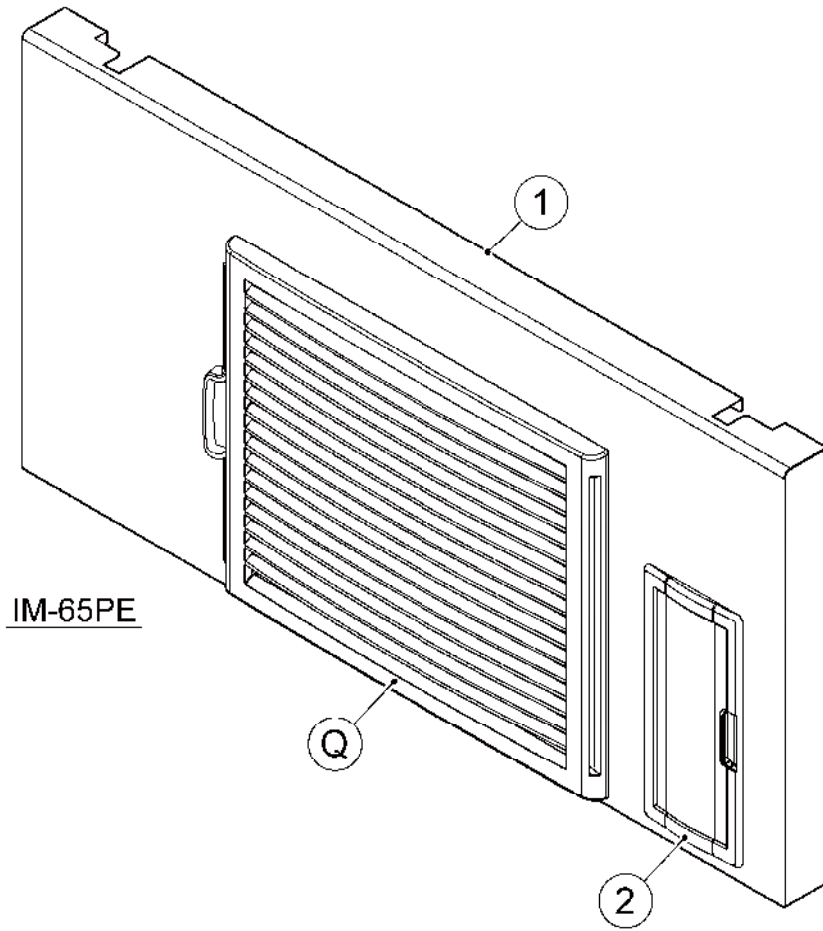


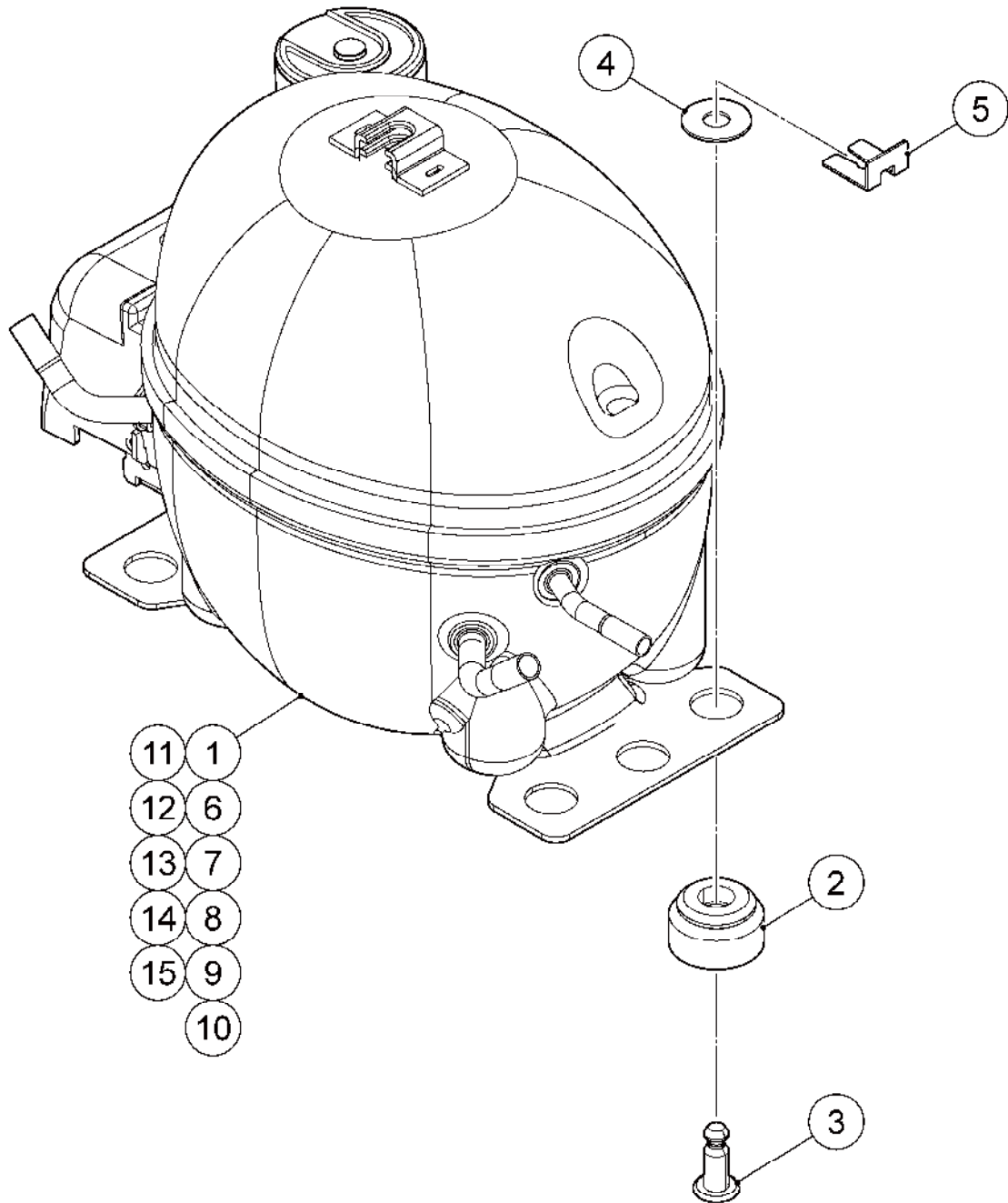
For Ultra, Elite model

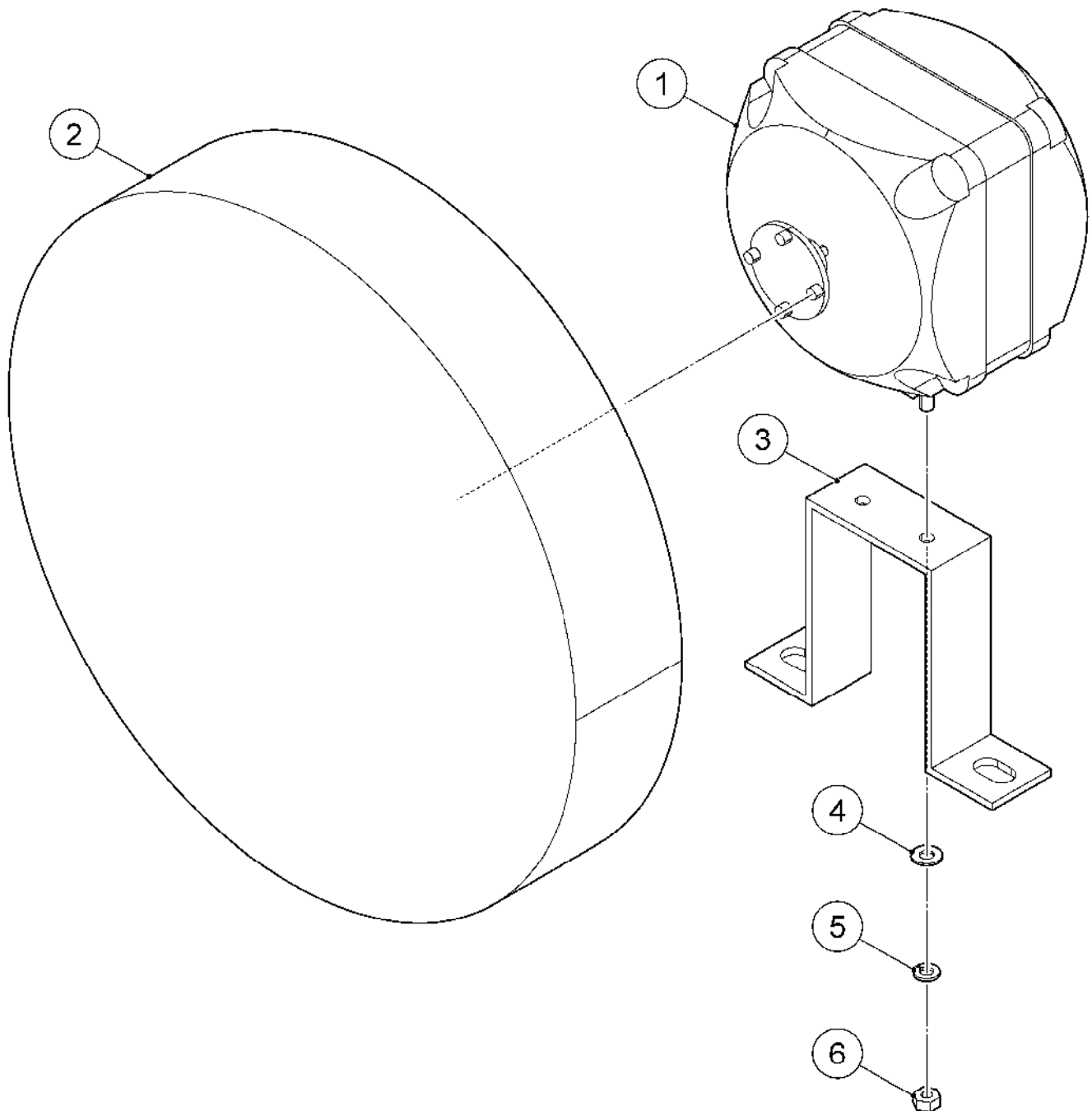


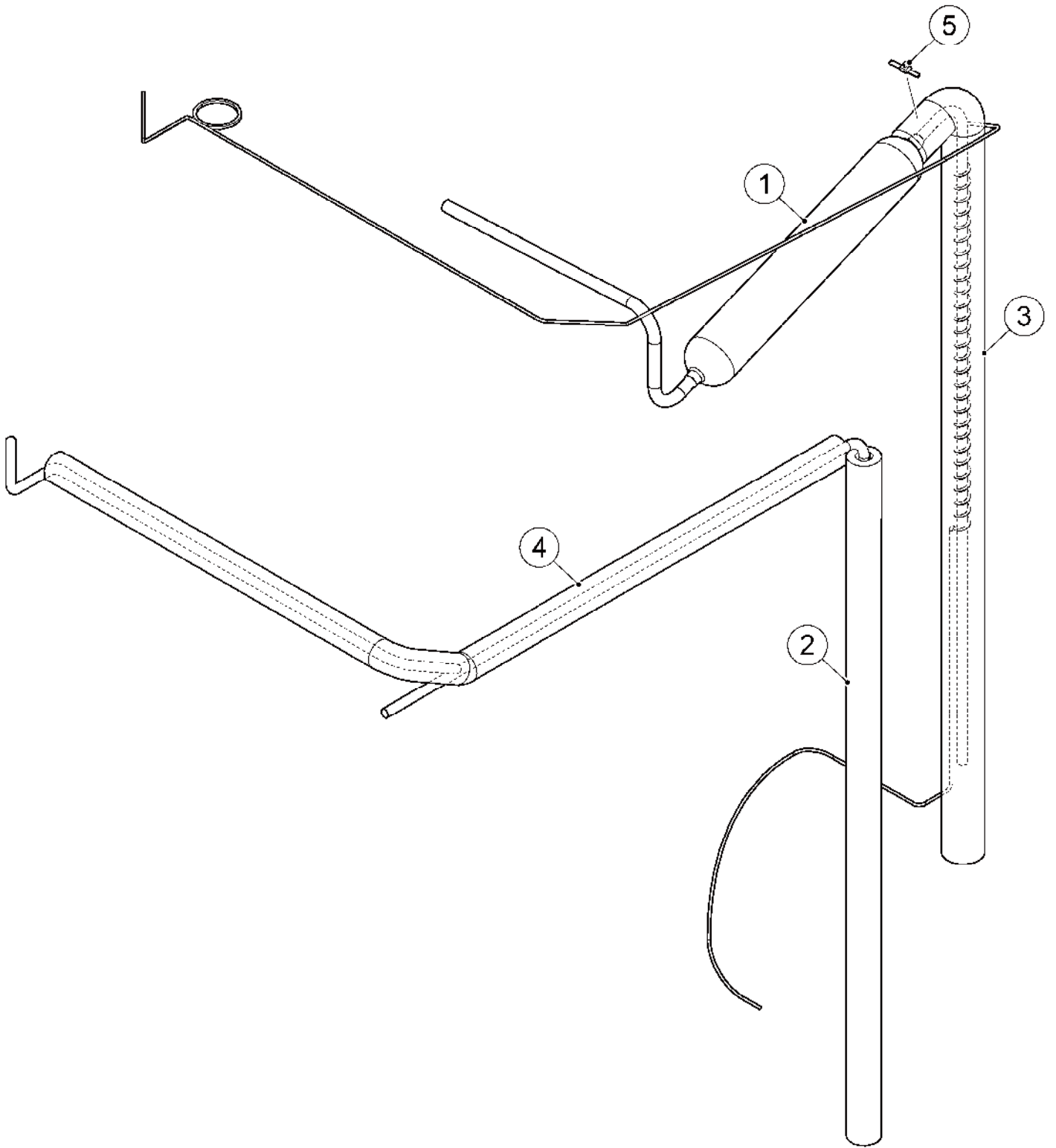


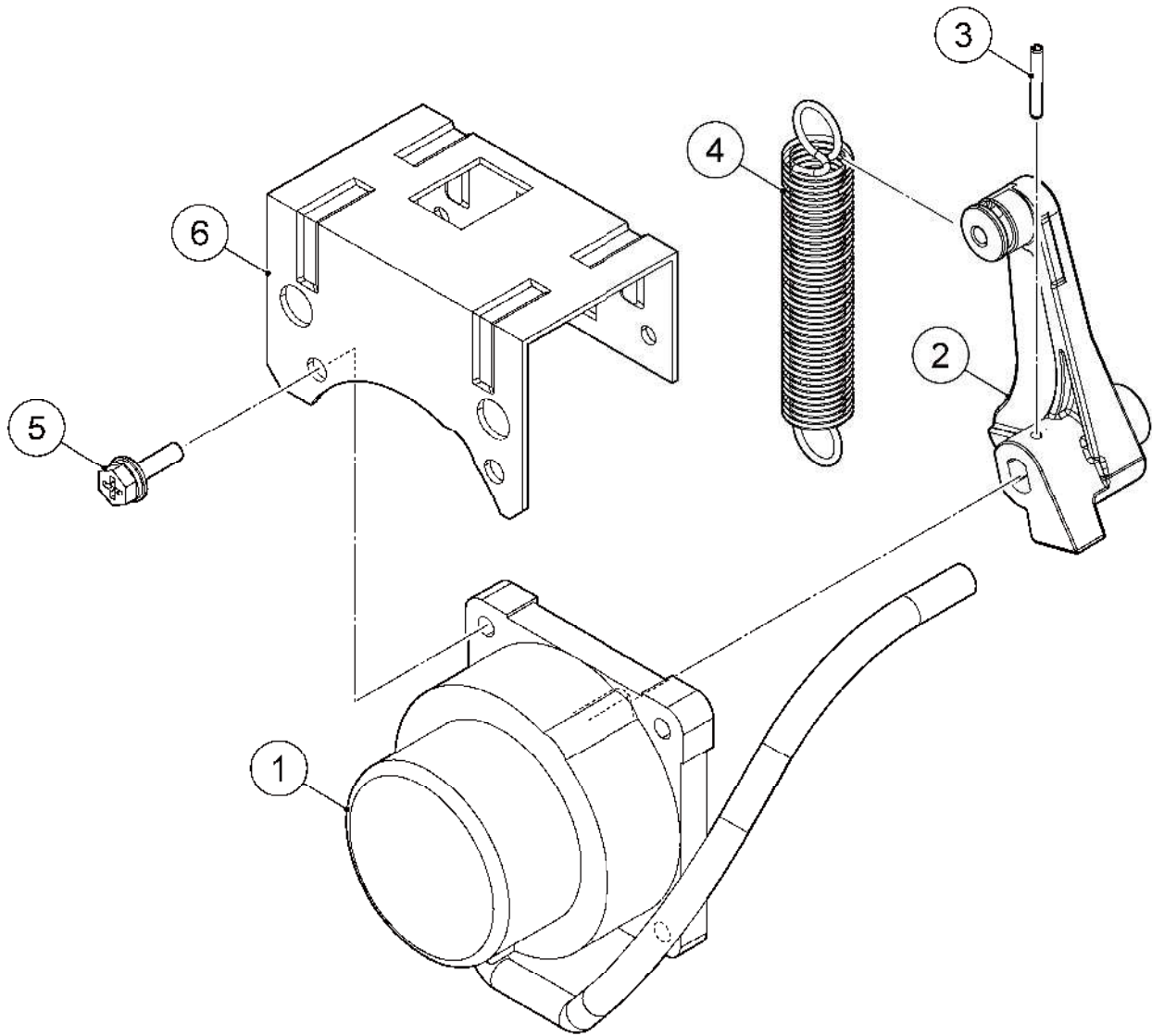


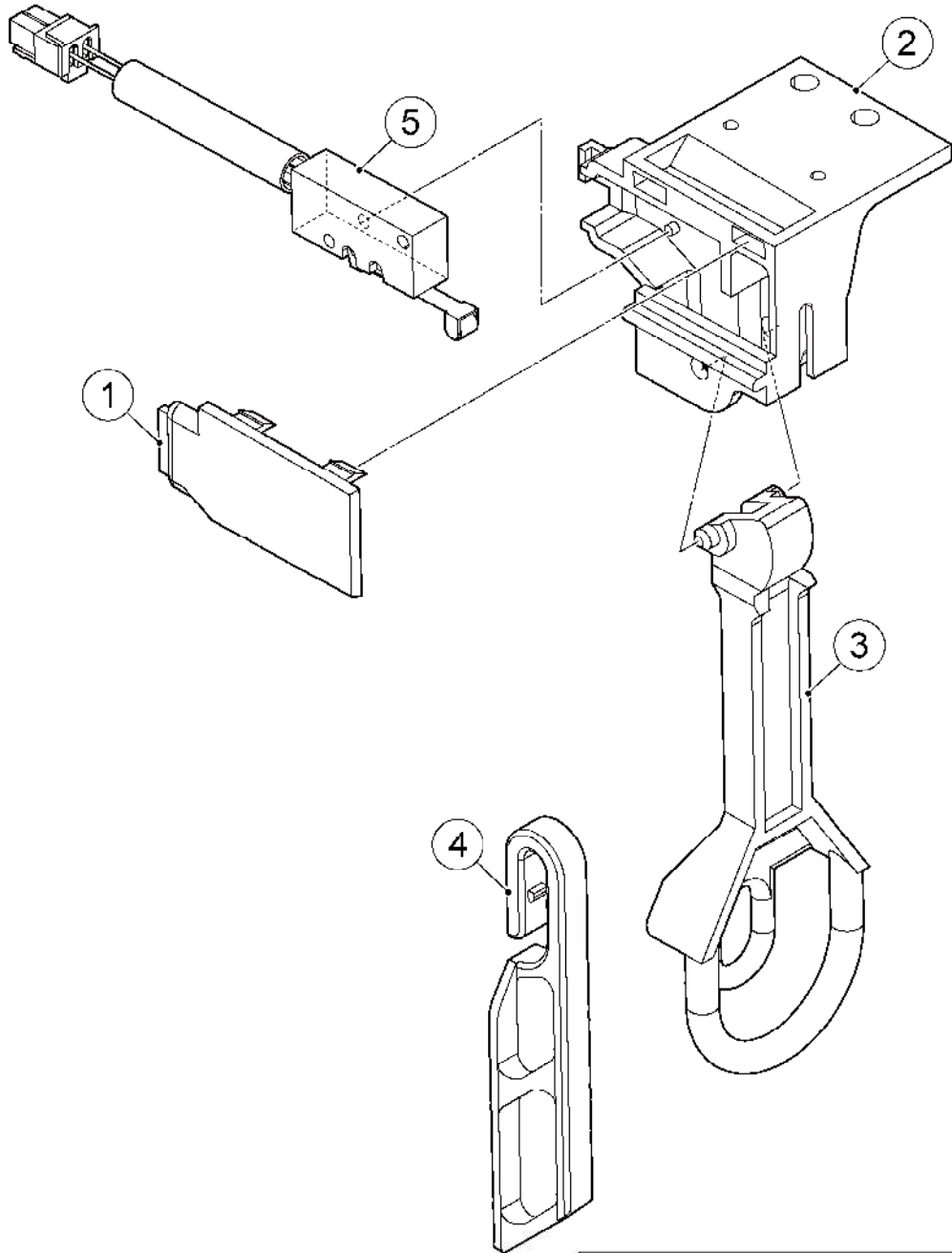




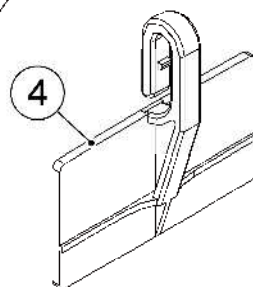








IM-65 (W) PE-Q



IM-65PE-LM

