



---

SELF-CONTAINED CUBER

**IM-100CNE-HC  
IM-100CNE-HC-23  
IM-100CNE-HC-32  
IM-100CNE-HC-21**

# PARTS LIST

[HE]

M068, M068-D001, D002, D003

F-1 APR. 2016

G-1 APR. 2017

G-2 NOV. 2017

J-1 JUL. 2019

J-2 SEP. 2019

K-0 JAN. 2020

**List of Specifications**

IM-100CNE-HC	M068	Standard
IM-100CNE-HC-23	M068-D001	23mm ICE of IM-100CNE-HC
IM-100CNE-HC-32	M068-D002	32mm ICE of IM-100CNE-HC
IM-100CNE-HC-21	M068-D003	21mm ICE of IM-100CNE-HC

## Auxiliary Codes

### Auxiliary Code Breakdown

The auxiliary code is the first two characters in the serial number. The first character indicates the year. Years progress or regress in alphabetical order. The series runs from "A" through "V" and the letters "I" and "O" are skipped. The second character indicates significant part changes within a year. Base is "0" and this number advances for each change. In cases where there is a letter in parentheses, this designates the month. This is the last character in the serial number. The series runs from "(A)" through "(M)" and the letter "(I)" is skipped. This designation is only included when identifying a parts change within an auxiliary code.

### Note About Ordering Parts

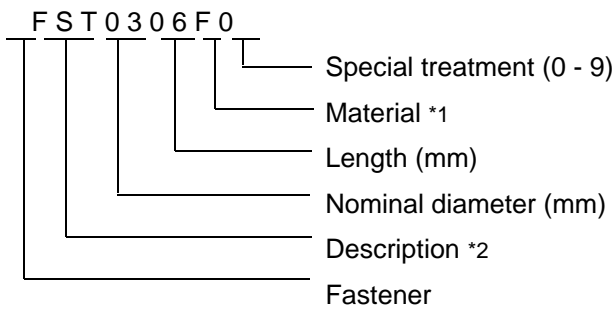
Most assemblies cannot be ordered as complete units; parts in the assemblies generally must be ordered separately.

## MARKS LOCATED UNDER THE AUXILIARY CODE

- = Part deleted.

## FASTENER PART NUMBER

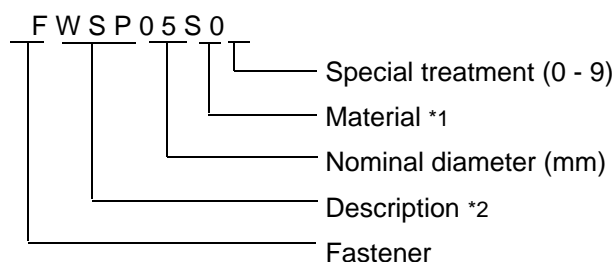
### SCREWS



\*1

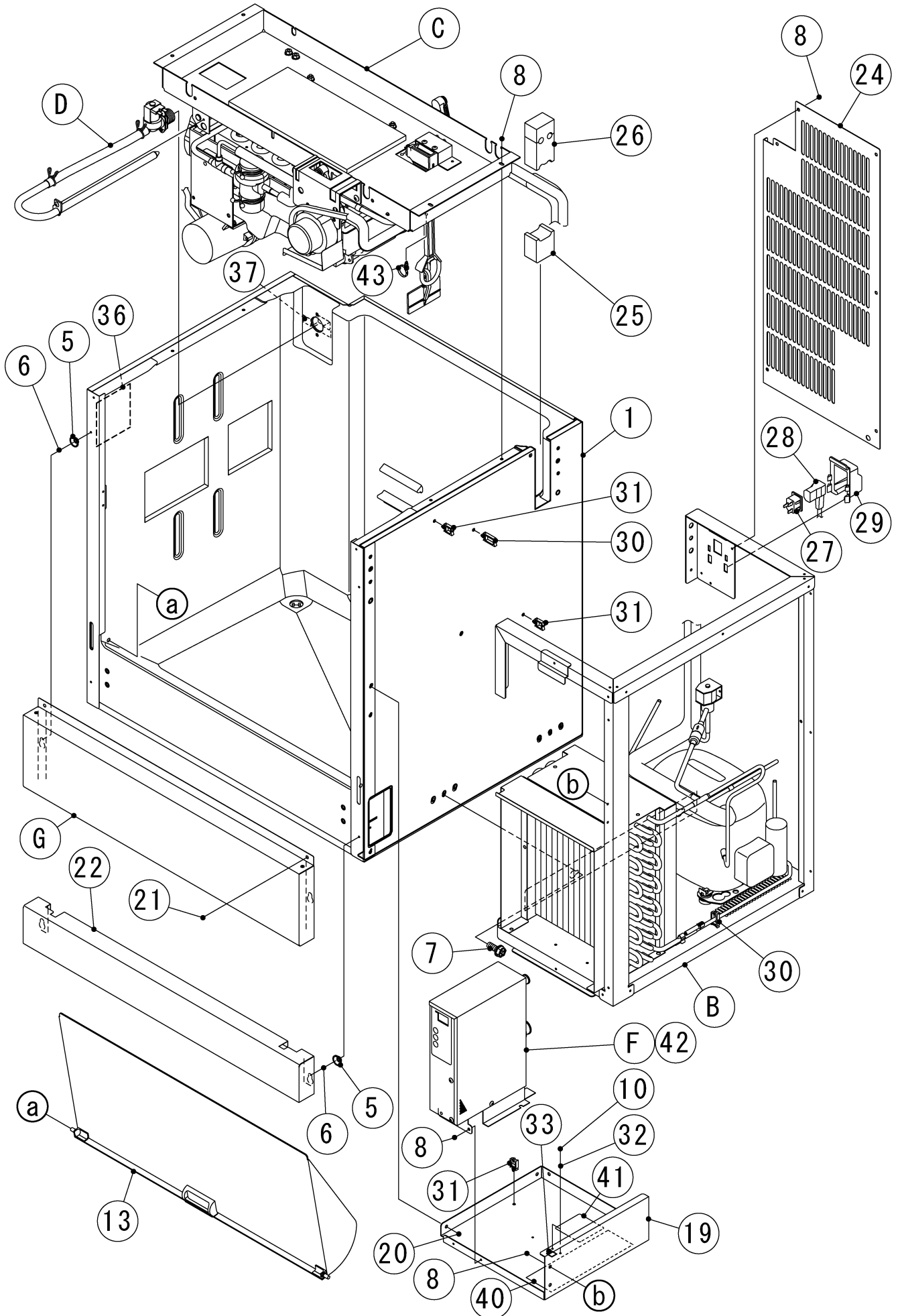
F: Steel  
S: Austenitic stainless steel  
M: Martensitic stainless steel  
B: Copper alloy  
P: Polycarbonate  
N: Polyamide  
V: PVC  
A: ABS  
X: Polyacetal  
L: Aluminum

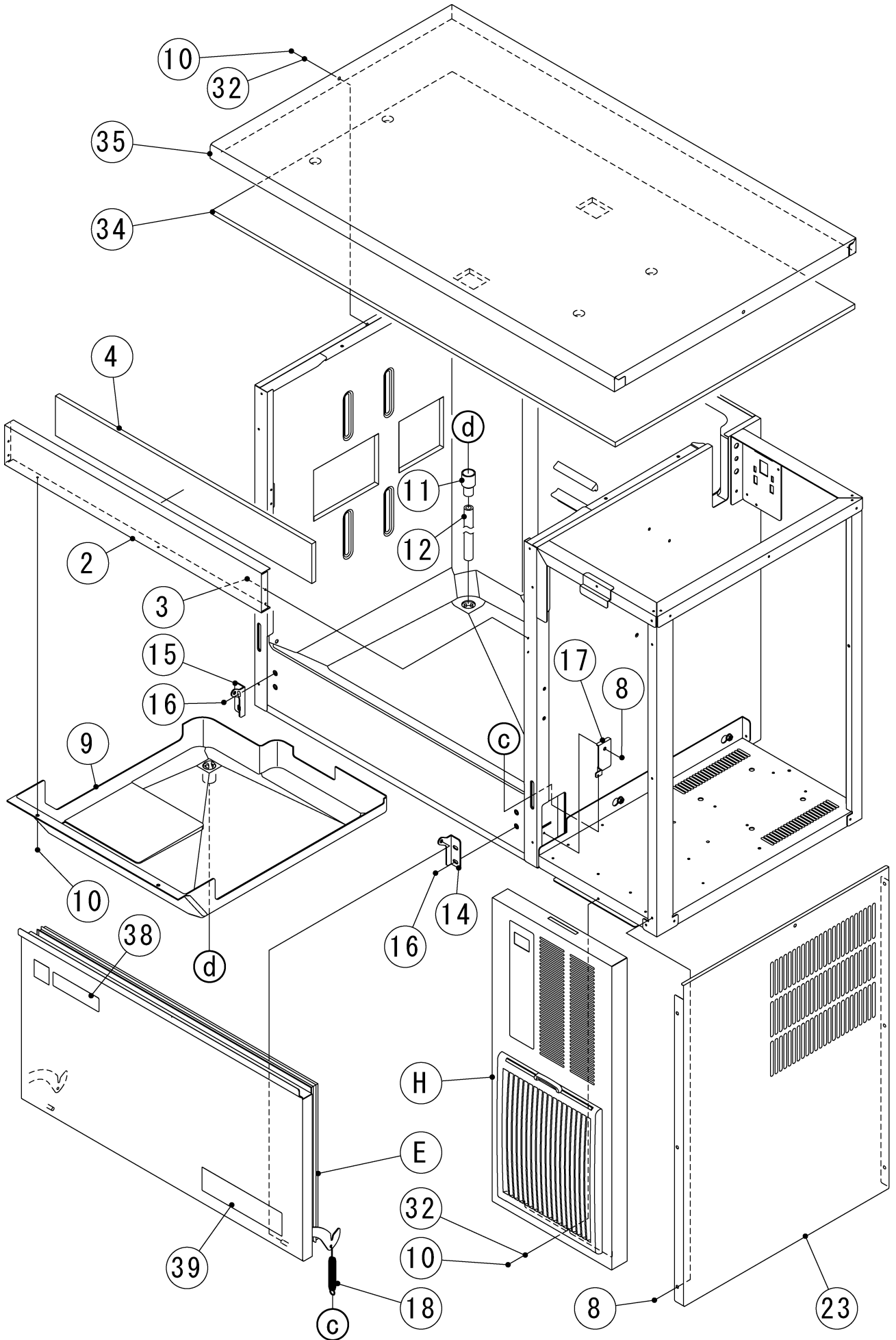
### NUTS & WASHERS



\*2

First letter  
S: Machine screw  
T: Tapping screw  
M: Wood screw  
B: Bolt  
W: Washer  
N: Nut





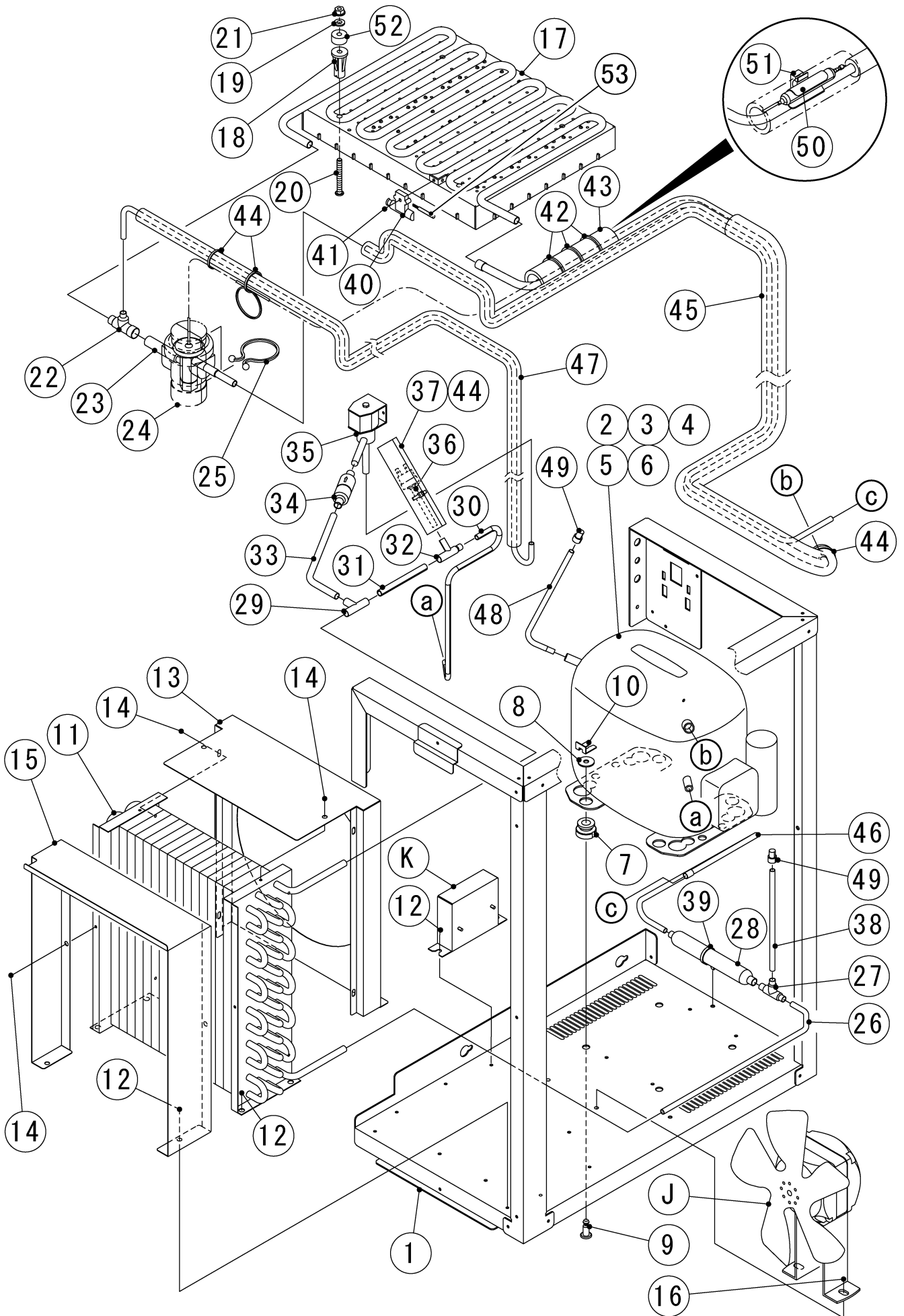
MODEL: <b>IM-100CNE-HC(-21,-23,-32)</b>			TITLE: <b>A.ICE CUBBER ASSY</b>					
INDEX NO.	DESCRIPTION	MATERIAL OR MODEL NUMBER	PART NUMBER	REQ'D NUMBER				
				F-1 G-0	G-1	G-2 J-0	J-1	J-2
B	REFRIGERATION ASSY	IM-100CNE-HC IM-100CNE-HC-21	124295A01	1	1	-	-	-
			1H6010A01	-	-	1	1	1
		IM-100CNE-HC-23	124295001	1	1	1	1	-
			1H6010001	-	-	-	-	1
		IM-100CNE-HC-32	124295002	1	1	1	1	1
C	MECHANISM ASSY		2X1206A01	1	1	1	1	1
D	WATER CIRCUIT ASSY		2X1210A01	1	1	1	1	1
E	DOOR ASSY		3Y5436A03	1	1	1	1	1
F	CONTROL BOX ASSY	IM-100CNE-HC IM-100CNE-HC-21	269266A01	1	1	-	-	-
			2X3411A01	-	-	1	-	-
			2X3411A02	-	-	-	1	1
		IM-100CNE-HC-23	269266A01	1	1	1	-	-
			2X3411A02	-	-	-	1	1
		IM-100CNE-HC-32	269266A01	1	1	1	-	-
2X3411A02	-		-	-	1	1		
G	FRONT COVER UPPER ASSY		3Y6321A01	1	1	1	1	1
H	FRONT COVER(R) ASSY		3Y6324A02	1	1	1	1	1
1	BODY		1H5055G01	1	1	1	1	1
2	FRONT FRAME		3Y6326M01	1	1	1	1	1
3	RIVET	SSD42SSBS(t1.6~3.2)	7170-0002	4	4	4	4	4
4	INSULATION - FRONT FRAME		4Y7624P01	1	1	1	1	1
5	TAPER COLLAR		4H0171-01	4	4	4	4	4
6	RIVET	SSD42BS	7170-0001	4	4	4	4	4
7	TAPPING SCREW - HEX		442040-01	4	4	4	4	4
8	Flange Bolt (C-TITE)		FTR0408M0	19	19	19	19	19
9	DRAIN PAN		2H6143G01	1	1	1	1	1
10	S-TITE TRUSS HEAD SCREW		FTS0408M0	7	7	7	7	7
11	DRAIN TUBE		4H2585-01	1	1	1	1	1
12	DRAIN PIPE		4Y7493P03	1	1	1	1	1
13	SLOPE		3H2978G01	1	1	1	1	1
14	HINGE (RIGHT)		4H2583-01	1	1	1	1	1
15	HINGE (LEFT)		4H2584-01	1	1	1	1	1
16	HEX HEAD BOLT (SPRING WASHER AND FLAT WASHER)		FBK0616S0	4	4	4	4	4
17	BRACKET - SPRING		4Y7620M01	1	1	1	1	1
18	SPRING		4X5209-01	1	1	1	1	1
19	PLATE - FRAME		2X0948M01	1	1	1	1	1



MODEL: <b>IM-100CNE-HC(-21,-23,-32)</b>				TITLE: <b>A.ICE CUBBER ASSY</b>				
INDEX NO.	DESCRIPTION	MATERIAL OR MODEL NUMBER	PART NUMBER	REQ'D NUMBER				
				K-0				
B	REFRIGERATION ASSY	IM-100CNE-HC IM-100CNE-HC-21	1H6010A01	1				
		IM-100CNE-HC-23	1H6010001	1				
		IM-100CNE-HC-32	1H6010003	1				
C	MECHANISM ASSY		2X1206A01	1				
D	WATER CIRCUIT ASSY		2X1210A01	1				
E	DOOR ASSY		3Y5436A03	1				
F	CONTROL BOX ASSY		2X3411A02	1				
G	FRONT COVER UPPER ASSY		3Y6321A01	1				
H	FRONT COVER(R) ASSY		3Y6324A02	1				
1	BODY		1H5055G01	1				
2	FRONT FRAME		3Y6326M01	1				
3	RIVET	SSD42SSBS(t1.6~3.2)	7170-0002	4				
4	INSULATION - FRONT FRAME		4Y7624P01	1				
5	TAPER COLLAR		4H0171-01	4				
6	RIVET	SSD42BS	7170-0001	4				
7	TAPPING SCREW - HEX		442040-01	4				
8	Flange Bolt (C-TITE)		FTR0408M0	19				
9	DRAIN PAN		2H6143G01	1				
10	S-TITE TRUSS HEAD SCREW		FTS0408M0	7				
11	DRAIN TUBE		4H2585-01	1				
12	DRAIN PIPE		4Y7493P03	1				
13	SLOPE		3H2978G01	1				
14	HINGE (RIGHT)		4H2583-01	1				
15	HINGE (LEFT)		4H2584-01	1				
16	HEX HEAD BOLT (SPRING WASHER AND FLAT WASHER)		FBK0616S0	4				
17	BRACKET - SPRING		4Y7620M01	1				
18	SPRING		4X5209-01	1				
19	PLATE - FRAME		2X0948M01	1				
20	T2 TRUSS HEAD SCREW		FT20408F0	2				
21	TRUSS HEAD SCREW		FST0408S0	2				
22	FRONT COVER LOWER		3Y6322G01	1				
23	SIDE PANEL(R) - UNIT		2X0959M01	1				
24	REAR PANEL - UNIT		268093M01	1				
25	INSULATION(A)		4H2683-01	1				
26	INSULATION(B)		4Y7510P01	1				
27	CONNECTOR		P00245-02	1				







MODEL: <b>IM-100CNE-HC(-21,-23,-32)</b>			TITLE: <b>B.REFRIGERATION ASSY</b>					
INDEX NO.	DESCRIPTION	MATERIAL OR MODEL NUMBER	PART NUMBER	REQ'D NUMBER				
				F-1 G-0	G-1	G-2 J-0	J-1	J-2
J	FAN MOTOR ASSY		3Y6055A01	1	1	1	1	1
K	GAS SENSOR ASSY		480188A01	1	1	1	1	1
1	UNIT FRAME G		2X1207G01	1	1	1	1	1
2	COMPRESSOR		P03538-01	1	1	1	1	1
3	STARTING RELAY		P01909-01	1	1	1	1	1
4	START CAPACITOR		456350-01	1	1	1	1	1
5	CORD RELIEF		452239-01	1	1	1	1	1
6	COVER		P01179-01	1	1	1	1	1
7	GROMMET		450897-01	4	4	4	4	4
8	WASHER CUSHION		P02793-01	4	4	4	4	4
9	STEEL PIN		452255-01	4	4	4	4	4
10	CLIP		452256-01	4	4	4	4	4
11	CONDENSER - AIR COOLED		P03374-01	1	1	1	1	1
12	Flange Bolt (C-TITE)		FTR0408M0	8	8	8	8	8
13	SHROUD(A)		2X0938M01	1	1	1	1	1
14	T2 TRUSS HEAD SCREW		FT20408F0	8	8	8	8	8
15	SHROUD(B)		3Y6296M01	1	1	1	1	1
16	HEX HEAD BOLT (SPRING WASHER AND FLAT WASHER)		FBK0612S0	2	2	2	2	2
17	EVAPORATOR	IM-100CNE-HC	2H6438G03	1	1	-	-	-
			2X2463G01	-	-	1	1	1
		IM-100CNE-HC-23	2H1836G01	1	1	1	1	-
			2X2590G01	-	-	-	-	1
		IM-100CNE-HC-32	3Y9593G01	1	1	1	1	1
IM-100CNE-HC-21	2X2541G01	-	-	1	1	1		
18	COLLAR		3H3879-01	4	4	4	4	4
19	WASHER		4H0777-01	4	4	4	4	4
20	SCREW EVAPORATOR	IM-100CNE-HC IM-100CNE-HC-32	4Y4922M02	4	4	4	4	4
		IM-100CNE-HC-23 IM-100CNE-HC-21	4Y4922M03	4	4	4	4	4
21	FLANGE NUT		FNHF06S0	4	4	4	4	4
22	TEE		420335-01	1	1	1	1	1
23	EXPANSION VALVE		P03545-01	1	1	1	1	1
24	VALVE COVER		3Y3051P01	1	1	1	1	1
25	CLAMP		P00752-01	2	2	2	2	2
26	COPPER TUBE(B) - HIGH SIDE		4Y7588M01	1	1	1	1	1
27	TEE		456655-01	1	1	1	1	1



MODEL: <b>IM-100CNE-HC(-21,-23,-32)</b>			TITLE: <b>B.REFRIGERATION ASSY</b>					
INDEX NO.	DESCRIPTION	MATERIAL OR MODEL NUMBER	PART NUMBER	REQ'D NUMBER				
				K-0				
J	FAN MOTOR ASSY		3Y6055A01	1				
K	GAS SENSOR ASSY		480188A01	1				
1	UNIT FRAME G		2X1207G01	1				
2	COMPRESSOR		P03538-01	1				
3	STARTING RELAY		P01909-01	1				
4	START CAPACITOR		456350-01	1				
5	CORD RELIEF		452239-01	1				
6	COVER		P01179-01	1				
7	GROMMET		450897-01	4				
8	WASHER CUSHION		P02793-01	4				
9	STEEL PIN		452255-01	4				
10	CLIP		452256-01	4				
11	CONDENSER - AIR COOLED		P03374-01	1				
12	Flange Bolt (C-TITE)		FTR0408M0	8				
13	SHROUD(A)		2X0938M01	1				
14	T2 TRUSS HEAD SCREW		FT20408F0	8				
15	SHROUD(B)		3Y6296M01	1				
16	HEX HEAD BOLT (SPRING WASHER AND FLAT WASHER)		FBK0612S0	2				
17	EVAPORATOR	IM-100CNE-HC	2X2463G01	1				
			2X2463G01	1				
		IM-100CNE-HC-23	2X2590G01	1				
			2X2590G01	1				
		IM-100CNE-HC-32	2X3720G01	1				
		IM-100CNE-HC-21	2X2541G01	1				
18	COLLAR		3H3879-01	4				
19	WASHER		4H0777-01	4				
20	SCREW EVAPORATOR	IM-100CNE-HC IM-100CNE-HC-32	4Y4922M02	4				
		IM-100CNE-HC-23 IM-100CNE-HC-21	4Y4922M03	4				
21	FLANGE NUT		FNHF06S0	4				
22	TEE		420335-01	1				
23	EXPANSION VALVE		P03545-01	1				
24	VALVE COVER		3Y3051P01	1				
25	CLAMP		P00752-01	2				
26	COPPER TUBE(B) - HIGH SIDE		4Y7588M01	1				
27	TEE		456655-01	1				



