



COUNTER SHOWCASE

PARTS LIST

[HE][Australia]

S051-C174,S052-C174,S053-C174,S054-C174,
S055-C174,S056-C174,S057-C174,S058-C174,
S051-C175,S052-C175,S053-C175,S054-C175,
S055-C175,S056-C175,S057-C175,S058-C175,
S052-D010,S054-D010,S056-D010,S058-D010

L-1 JUN.2021

HNC-120BE-L(R)-BLH
HNC-120BE-L(R)-BLH
HNC-150BE-L(R)-BLH
HNC-150BE-L(R)-BLH
HNC-180BE-L(R)-BLH
HNC-180BE-L(R)-BLH
HNC-210BE-L(R)-BLH
HNC-210BE-L(R)-BLH
HNC-120BE-L(R)-BH
HNC-120BE-L(R)-BH
HNC-150BE-L(R)-BH
HNC-150BE-L(R)-BH
HNC-180BE-L(R)-BH
HNC-180BE-L(R)-BH
HNC-210BE-L(R)-BH
HNC-210BE-L(R)-BH

List of Specifications

HNC-120BE-L-BLH	S051-C174	For HE, For F-gas regulation, LED light mounted, Thermometer inside the cabinet
HNC-120BE-R-BLH	S052-C174	For HE, For F-gas regulation, LED light mounted, Thermometer inside the cabinet
HNC-150BE-L-BLH	S053-C174	For HE, For F-gas regulation, LED light mounted, Thermometer inside the cabinet
HNC-150BE-R-BLH	S054-C174	For HE, For F-gas regulation, LED light mounted, Thermometer inside the cabinet
HNC-180BE-L-BLH	S055-C174	For HE, For F-gas regulation, LED light mounted, Thermometer inside the cabinet
HNC-180BE-R-BLH	S056-C174	For HE, For F-gas regulation, LED light mounted, Thermometer inside the cabinet
HNC-210BE-L-BLH	S057-C174	For HE, For F-gas regulation, LED light mounted, Thermometer inside the cabinet
HNC-210BE-R-BLH	S058-C174	For HE, For F-gas regulation, LED light mounted, Thermometer inside the cabinet
HNC-120BE-L-BH	S051-C175	For HE, For F-gas regulation, Thermometer inside the cabinet
HNC-120BE-R-BH	S052-C175	For HE, For F-gas regulation, Thermometer inside the cabinet
HNC-150BE-L-BH	S053-C175	For HE, For F-gas regulation, Thermometer inside the cabinet
HNC-150BE-R-BH	S054-C175	For HE, For F-gas regulation, Thermometer inside the cabinet
HNC-180BE-L-BH	S055-C175	For HE, For F-gas regulation, Thermometer inside the cabinet
HNC-180BE-R-BH	S056-C175	For HE, For F-gas regulation, Thermometer inside the cabinet
HNC-210BE-L-BH	S057-C175	For HE, For F-gas regulation, Thermometer inside the cabinet
HNC-210BE-R-BH	S058-C175	For HE, For F-gas regulation, Thermometer inside the cabinet
HNC-120BE-R-BLH	S052-D010	For Australia, Sushi Display Case with LED lighting, right-sided
HNC-150BE-R-BLH	S054-D010	For Australia, Sushi Display Case with LED lighting, right-sided
HNC-180BE-R-BLH	S056-D010	For Australia, Sushi Display Case with LED lighting, right-sided
HNC-210BE-R-BLH	S058-D010	For Australia, Sushi Display Case with LED lighting, right-sided

AUXILIARY CODE

The auxiliary code is the first two characters in the serial number. The first character indicates the year. Years progress or regress in alphabetical order. The series runs from "A" through "V" and the letters "I" and "O" are skipped. The second character indicates significant part changes within a year. Base is "0" and this number advances for each change. In cases where there is a letter in parentheses, this designates the month. This is the last character in the serial number. The series runs from "(A)" through "(M)" and the letter "(I)" is skipped. This designation is only included when identifying a parts change within an auxiliary code.

Note About Ordering Parts

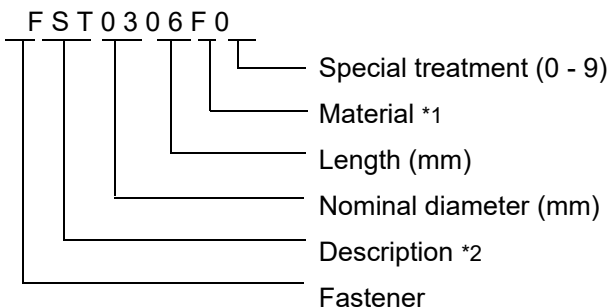
Most assemblies cannot be ordered as complete units; parts in the assemblies generally must be ordered separately.

MARKS LOCATED UNDER THE AUXILIARY CODE

- = Part deleted.

FASTENER PART NUMBER

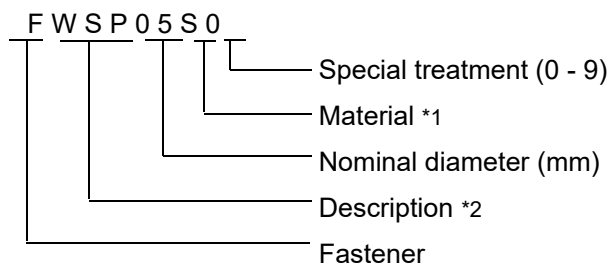
SCREWS



*1

F: Steel
S: Austenitic stainless steel
M: Martensitic stainless steel
B: Copper alloy
P: Polycarbonate
N: Polyamide
V: PVC
A: ABS
X: Polyacetal
L: Aluminum

NUTS & WASHERS



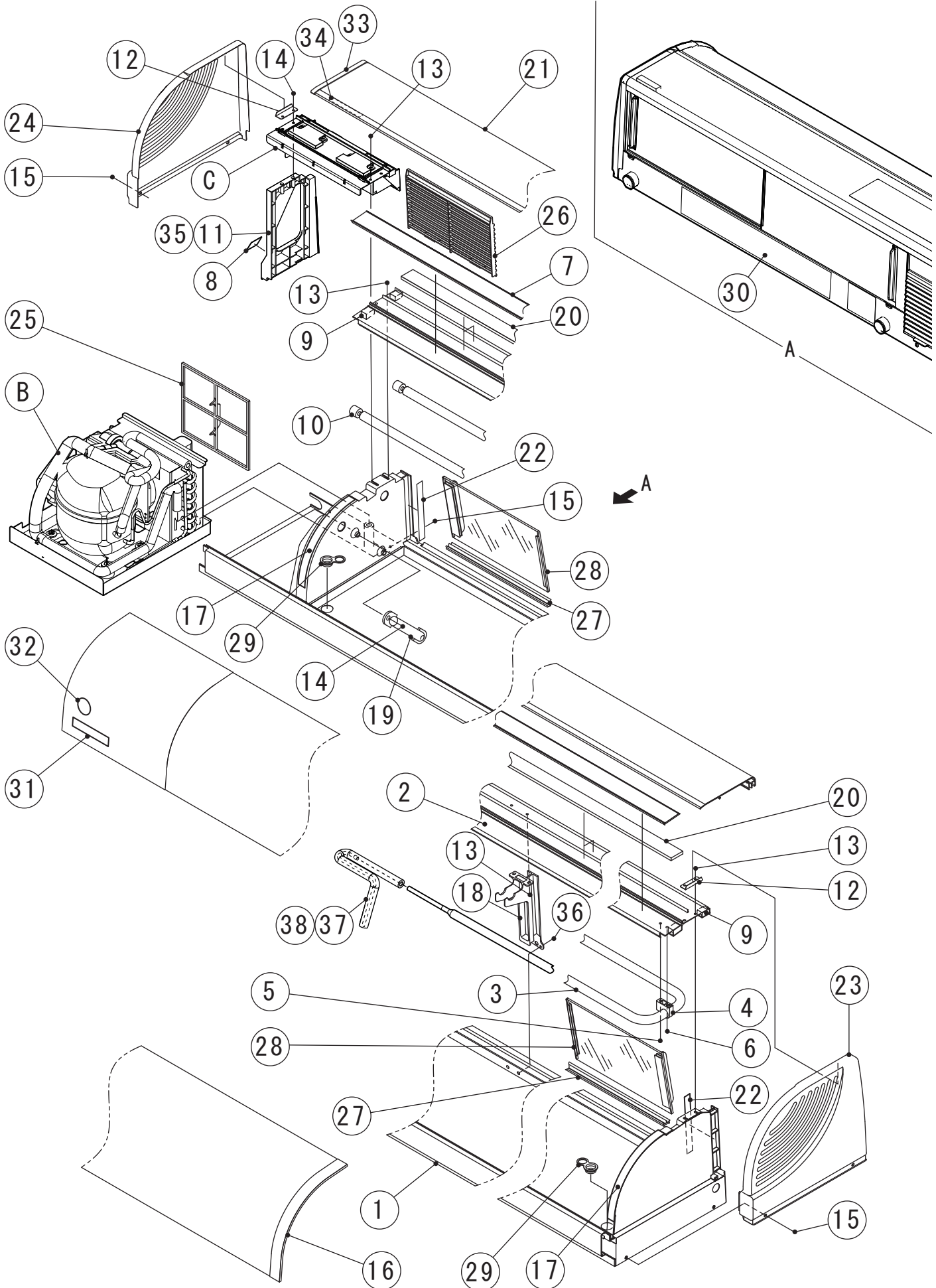
*2

First letter
S: Machine screw
T: Tapping screw
M: Wood screw
B: Bolt
W: Washer
N: Nut

HNC-120BE-L(R)-BLH(-BH)
HNC-150BE-L(R)-BLH(-BH)
HNC-180BE-L(R)-BLH(-BH)
HNC-210BE-L(R)-BLH(-BH)

A. COUNTER SHOWCASE ASSY

(L-1) and later



MODEL: HNC-120BE-L(R)-BLH(-BH) HNC-150BE-L(R)-BLH(-BH) HNC-180BE-L(R)-BLH(-BH) HNC-210BE-L(R)-BLH(-BH)				TITLE:A.GENERAL ASSY				
INDEX NO.	DESCRIPTION	MATERIAL OR MODEL NUMBER	PART NUMBER	REQ'D NUMBER				
				L-1				
B	REFRIGERATION ASSY - L	(L)	1H6442A01	1				
	REFRIGERATION ASSY - R	(R)	1H6443A01	1				
C	ELB BRACKET ASSY - L	(L) -BLH	2X4641A01	1				
	ELB BRACKET ASSY - R	(R) -BLH	2X4624A01	1				
	ELB BRACKET ASSY - L	(L) -BH	2X4641A02	1				
	ELB BRACKET ASSY - R	(R) -BH	2X4624A02	1				
D	ACCESSORIES	(120)	A03928-01	1				
		(150)	A03929-01	1				
		(180)	A03930-01	1				
		(210)	A03931-01	1				
1 -BLH	BASE ASSY - 12L	(120BE-L)	1H6434G01	1				
	BASE ASSY - 12R	(120BE-R)	1H6435G01	1				
	BASE ASSY - 15L	(150BE-L)	1H6436G01	1				
	BASE ASSY - 15R	(150BE-R)	1H6437G01	1				
	BASE ASSY - 18L	(180BE-L)	1H6438G01	1				
	BASE ASSY - 18R	(180BE-R)	1H6439G01	1				
	BASE ASSY - 21L	(210BE-L)	1H6440G01	1				
	BASE ASSY - 21R	(210BE-R)	1H6441G01	1				
1 -BH	BASE ASSY - 12L	(120BE-L)	1H6434001	1				
	BASE ASSY - 12R	(120BE-R)	1H6435001	1				
	BASE ASSY - 15L	(150BE-L)	1H6436001	1				
	BASE ASSY - 15R	(150BE-R)	1H6437001	1				
	BASE ASSY - 18L	(180BE-L)	1H6438001	1				
	BASE ASSY - 18R	(180BE-R)	1H6439001	1				
	BASE ASSY - 21L	(210BE-L)	1H6440001	1				
	BASE ASSY - 21R	(210BE-R)	1H6441001	1				

MODEL: **HNC-120BE-L(R)-BLH(-BH)**
HNC-150BE-L(R)-BLH(-BH)
HNC-180BE-L(R)-BLH(-BH)
HNC-210BE-L(R)-BLH(-BH)

TITLE: **A.GENERAL ASSY**

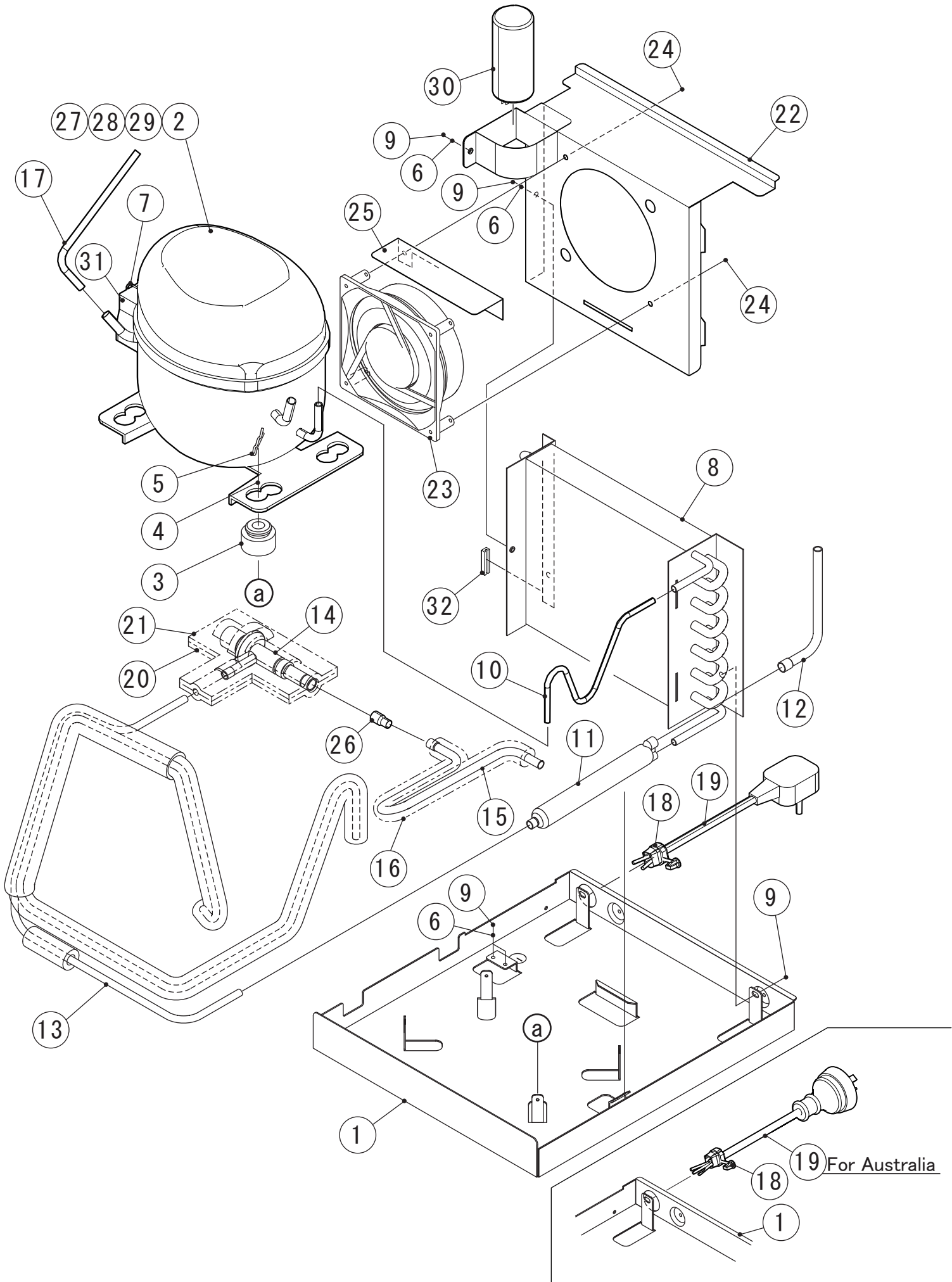
INDEX NO.	DESCRIPTION	MATERIAL OR MODEL NUMBER	PART NUMBER	REQ'D NUMBER				
				L-1				
2 -BLH	TOP FRAME (L) - 12	(120BE-L-BLH) (includes LED)	3Z1331G01	1				
	TOP FRAME (R) - 12	(120BE-R-BLH) (includes LED)	3Z1332G01	1				
	TOP FRAME (L) - 15	(150BE-L-BLH) (includes LED)	3Z1333G01	1				
	TOP FRAME (R) - 15	(150BE-R-BLH) (includes LED)	3Z1334G01	1				
	TOP FRAME (L) - 18	(180BE-L-BLH) (includes LED)	3Z1335G01	1				
	TOP FRAME (R) - 18	(180BE-R-BLH) (includes LED)	3Z1336G01	1				
	TOP FRAME (L) - 21	(210BE-L-BLH) (includes LED)	3Z1337G01	1				
	TOP FRAME (R) - 21	(210BE-R-BLH) (includes LED)	3Z1338G01	1				
2 -BH	TOP FRAME (L) - 12	(120BE-L-BH) (includes LED)	2R4464M05	1				
	TOP FRAME (R) - 12	(120BE-R-BH) (includes LED)	2R4464M01	1				
	TOP FRAME (L) - 15	(150BE-L-BH) (includes LED)	2R4464M06	1				
	TOP FRAME (R) - 15	(150BE-R-BH) (includes LED)	2R4464M02	1				
	TOP FRAME (L) - 18	(180BE-L-BH) (includes LED)	2R4464M07	1				
	TOP FRAME (R) - 18	(180BE-R-BH) (includes LED)	2R4464M03	1				
	TOP FRAME (L) - 21	(210BE-L-BH) (includes LED)	2R4464M08	1				
	TOP FRAME (R) - 21	(210BE-R-BH) (includes LED)	2R4464M04	1				
3	PIPE UP - EVAP12	(120)	P02942-02	1				
	PIPE UP - EVAP15	(150)	P02942-03	1				
	PIPE UP - EVAP18	(180)	P02942-04	1				
	PIPE UP - EVAP21	(210)	P02942-05	1				
4	HOLDER ASSY		4R2804A01	1				
5	T2 TRUSS HEAD SCREW		FT20430M0	1				
6	T2 TRUSS HEAD SCREW		FT20410M0	1				
7	TOP GASKET - 12	(120)	3S1630P01	1				
	TOP GASKET - 15	(150)	3S1630P02	1				
	TOP GASKET - 18	(180)	3S1630P03	1				
	TOP GASKET - 21	(210)	3S1630P04	1				
8	LABEL-R600a		482266L01	1				

MODEL: HNC-120BE-L(R)-BLH(-BH) HNC-150BE-L(R)-BLH(-BH) HNC-180BE-L(R)-BLH(-BH) HNC-210BE-L(R)-BLH(-BH)				TITLE:A.GENERAL ASSY				
INDEX NO.	DESCRIPTION	MATERIAL OR MODEL NUMBER	PART NUMBER	REQ'D NUMBER				
				L-1				
9	INSULATION - TOP FRAME		4R5131P01	4				
10	SEAL (C) - EVAP		4R2368Z04	2				
11	SIDE FRAME (L)	(L)	2R4504P02	1				
	SIDE FRAME (R)	(R)	2R4504P01	1				
12	HOOK		4R5121M01	2				
13	T2 TRUSS HEAD SCREW	(120)	FT20410M0	6				
		(150,180,210)	FT20410M0	8				
14	T1 TRUSS HEAD SCREW		FT10416M0	4				
15	TAPPING SCREW - BLACK		433954-01	6				
16	FRONT GLASS - 12F	(120)	P01641-07	1				
	FRONT GLASS - 15F	(150)	P01641-08	1				
	FRONT GLASS - 18F	(180)	P01641-09	1				
	FRONT GLASS - 21F	(210)	P01641-10	1				
17	SOFT SEAL (A)		4R5133P01	2				
18	CENTER FRAME ASSY	(150,180,210)	2R4737G01	1				
19	THERMOMETER		4Z2455Z01	1				
20	INSULATION (B)	(120)	4R5132P02	2				
	INSULATION (C)	(150)	4R5132P03	2				
	INSULATION (D)	(180)	4R5132P04	4				
	INSULATION (E)	(210)	4R5132P05	4				
21	TOP COVER - 12	(120)	2R4467P01	1				
	TOP COVER - 15	(150)	2R4467P02	1				
	TOP COVER - 18	(180)	2R4467P03	1				
	TOP COVER - 21	(210)	2R4467P04	1				
22	CUSHION - SIDE PANEL		4R5123R01	2				
23	SIDE COVER (R) ASSY		3S2080G01	1				
24	SIDE COVER (L) ASSY		3S2078G01	1				
25	AIR FILTER		3S1695G01	1				
26	LOUVER - UNIT		2R4506P01	1				
27	SLIDER - 12	(120)	4R2254-02	1				
	SLIDER - 15	(150)	4R2254-03	2				
	SLIDER - 18	(180)	4R2254-04	2				
	SLIDER - 21	(210)	4R2254-05	2				

HNC-120BE-L(R)-BLH(-BH)
HNC-150BE-L(R)-BLH(-BH)
HNC-180BE-L(R)-BLH(-BH)
HNC-210BE-L(R)-BLH(-BH)

B. REFRIGERATION ASSY

(L-1) and later



MODEL: **HNC-120BE-L(R)-BLH(-BH)**
HNC-150BE-L(R)-BLH(-BH)
HNC-180BE-L(R)-BLH(-BH)
HNC-210BE-L(R)-BLH(-BH)

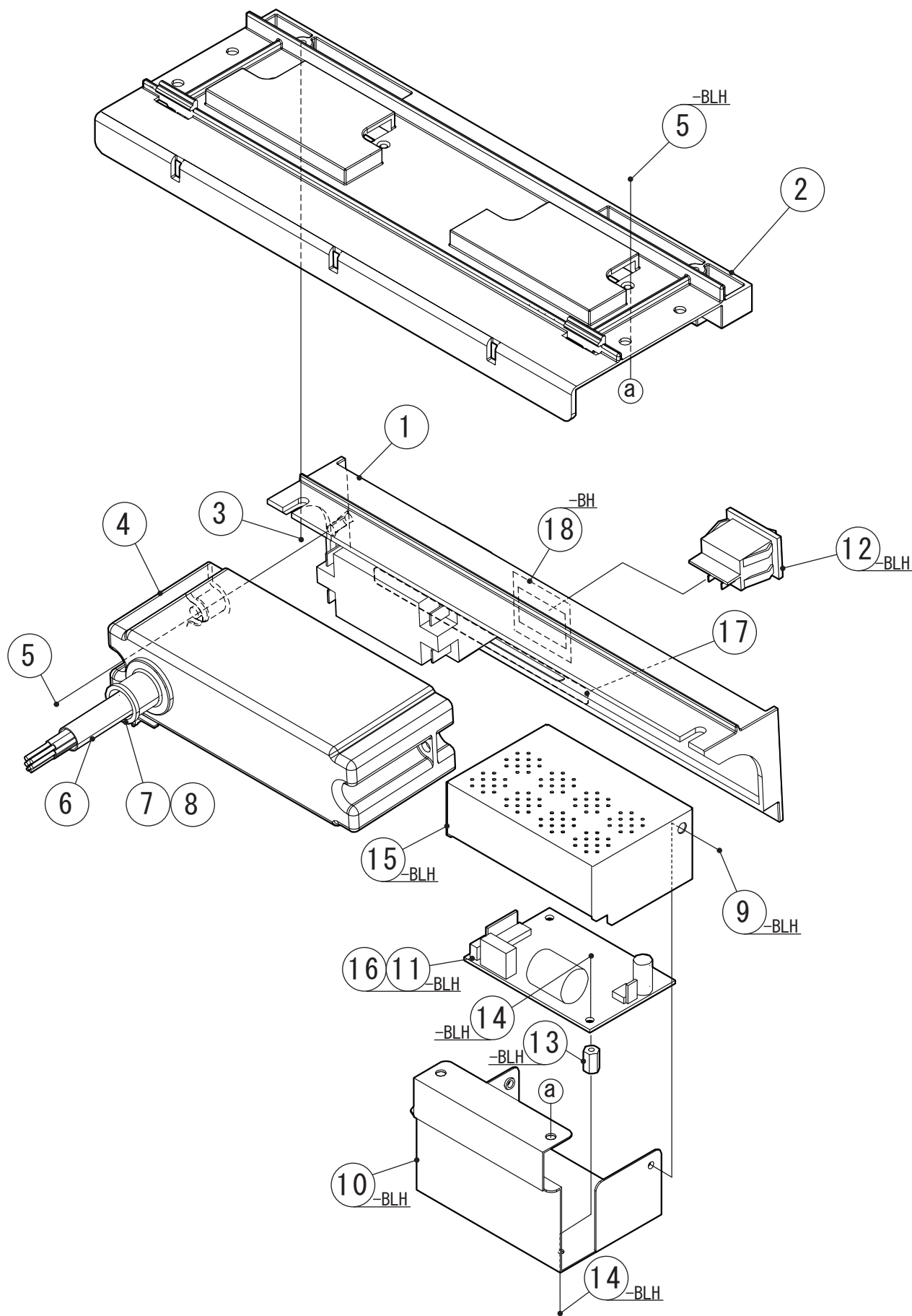
TITLE: **B.REFRIGERATION ASSY**

INDEX NO.	DESCRIPTION	MATERIAL OR MODEL NUMBER	PART NUMBER	REQ'D NUMBER				
				L-1				
1	BASE - UNIT	(L)	2X4613M01	1				
		(R)	2X4604M01	1				
2	COMPRESSOR		P05579-01	1				
3	RUBBER GROMMET		P02013-01	4				
4	FLAT WASHER		FWPL10S0	2				
5	SNAP PIN		715S-0010	2				
6	SPRING WASHER		FWSP04S0	4				
7	STRAP		451041-01	1				
8	CONDENSER		P01558-01	1				
9	S-TITE TRUSS HEAD SCREW		FTS0408M0	5				
10	COPPER TUBE (A) - HI	(L)	4R6329M01	1				
		(R)	4R6117M01	1				
11	DRIER	DY-15QHD-9	458772-01	1				
12	COPPER TUBE (K)		4R5252M01	1				
13	HEAT EXCHANGER L	(L)	2R7137G01	1				
	HEAT EXCHANGER R	(R)	2R7141G01	1				
14	EXPANSION VALVE	HYP2-5VHD-1	P04945-01	1				
15	COPPER TUBE - EVAPORATOR	(L)	3S4055M01	1				
		(R)	3S4055M02	1				
16	INSULATION TUBE	(520mm)	3S3791P04	1				
17	COPPER TUBE - PROCESS		4Z0509M01	1				
18	BUSHING		448949-01	1				
19	POWER SUPPLY CORD - PROCESSING		4R5299A01	1				
		For Australia	4Z2421A01	1				
20	COVER (A) - EXPV		321949-05	1				
21	COVER (B) - EXPV		321949-06	1				
22	SHROUD - WELD	(L)	3Z2141G01	1				
		(R)	3Z2140G01	1				
23	FAN MOTOR		P03350-01	1				
24	T2 TRUSS HEAD SCREW		FT20410M0	2				
25	WATER COVER - FAN	(L)	4Z1374M02	1				
		(R)	4Z1374M01	1				
26	REDUCER		420915-11	1				
27	STARTER	3Z2098A01	P05590-01	1				

HNC-120BE-L(R)-BLH(-BH)
HNC-150BE-L(R)-BLH(-BH)
HNC-180BE-L(R)-BLH(-BH)
HNC-210BE-L(R)-BLH(-BH)

C. ELB BRACKET ASSY

(L-1) and later



HNC-120BE-L(R)-BLH(-BH)
HNC-150BE-L(R)-BLH(-BH)
HNC-180BE-L(R)-BLH(-BH)
HNC-210BE-L(R)-BLH(-BH)

D. ACCESSORIES

(L-1) and later

