



HOSHIZAKI

SERIES: EXTERNAL DRAIN PUMP
ITEM NO: S-32904

Sauermann® Si-83 Pack 1

External drain pump. Freedom & flexibility.

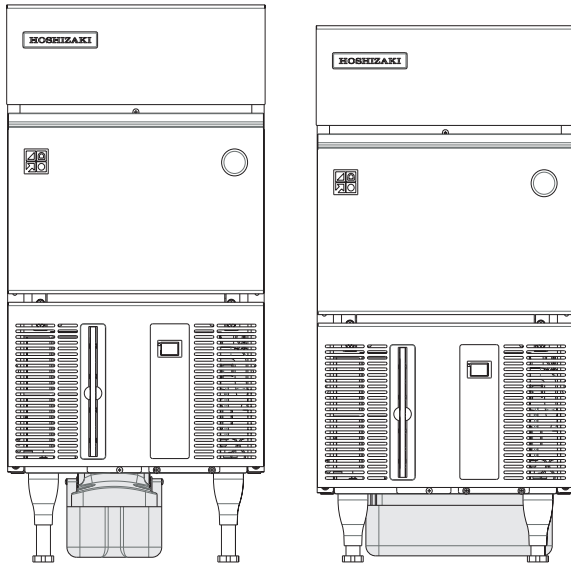
COMPATIBLE WITH SELF CONTAINED ICE MACHINE MODELS:

- IM-21 ALL VERSIONS (1)
- IM-30 ALL VERSIONS (1)
- IM-45 ALL VERSIONS (1)
- IM-65 ALL VERSIONS (2)

(1) Excludes 60 Hz models

(2) Excludes 60 Hz, LM, LM103, Q, H, S and C models

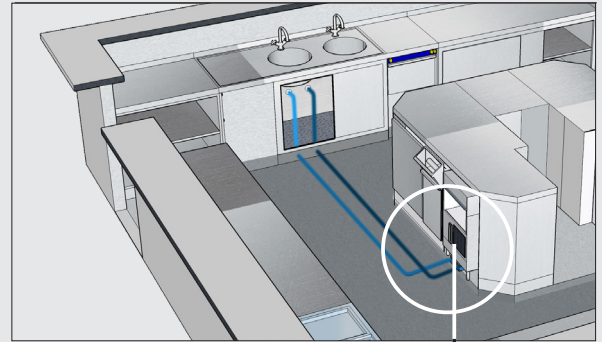
The pump is not designed to pump water from the cooling system of water cooled IM ice machines.



FEATURES AND BENEFITS

- Pump integrated with machine controls and power supply.
- Additional sockets are not required.
- Fail safe control.
- Simple installation.
- Designed to be mounted underneath or at rear of the machine (legs required for IM-21).
- Float design resistant to fouling.
- Stainless steel motor shaft.
- Maximum pump distance 1m vertically / 10m horizontally.

700 l/h max flow rate



- **Maximum pump distance: 1.0m vertically / 10m horizontally**
- **Typical installation: condition 0.5m vertically / 5m horizontally**
- **Capacity: 200ltr./hour or 3.3ltr./m at max distance**



THE DRAIN PUMP KIT

- Qty. 1x SI-83 Pump
- Qty. 1x Integrated barb end check valve
- Qty. 1x Mounting Bracket A
- Qty. 2x Mounting Bracket B
- Qty. 4x Machine Screw M4x20
- Qty. 2x Self Tapping Screw M4x10
- Qty. 1x Installation Guide
- Qty. 1x Braided hose, length

**COMMERCIAL WARRANTY
AGAINST MANUFACTURING DEFECTS**

PARTS **1** YEAR

EXTERIOR FINISH

Blue and black ABS
Bracket of galvanized steel

OPERATING CONDITIONS LIMITATIONS: 7% non continuous

MODEL	Max flow rate (ltr. per hr.)	Tank capacity (ltr.)	Max discharge head (m)	Max pressure (flow rate 0) (m)	Electric connection	Electrical circuit breaker protection (A)	Electrical consumption 24hr. power factor (W)	Max condensate temperature	Max condensate acidity
Si-83 Pack 1	700	2	5.4 (65 l/h)	5.7	230 V~ 50 Hz	1.4	115	55°C, 80°C short peaks 10 minutes	pH > 2.5 (Gas condensing boilers)

TECHNICAL CERTIFICATIONS



For more information visit our website at www.hoshizaki-europe.com
Hoshizaki Europe B.V. retains the right to change products and their specifications without prior notice.

Hoshizaki Europe B.V.
Burgemeester Stramanweg 101,
1101 AA Amsterdam
The Netherlands

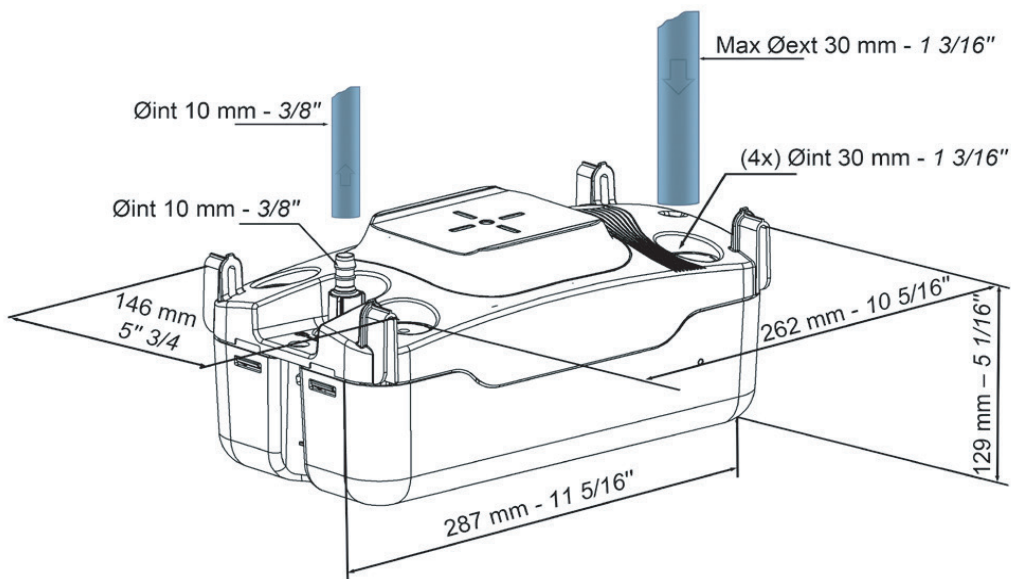
T: +31 (0)20 691 8499
F: +31 (0)20 691 8768
sales@hoshizaki.nl
www.hoshizaki-europe.com

Sauermann® Si-83 Pack 1

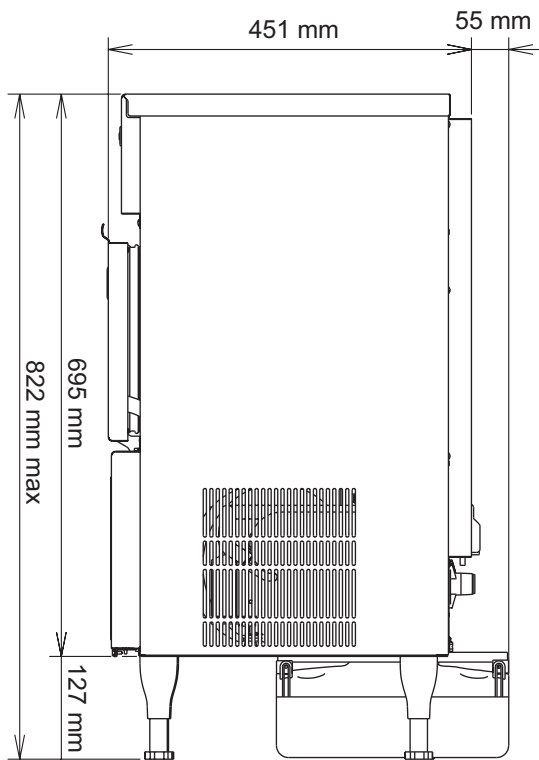


HOSHIZAKI

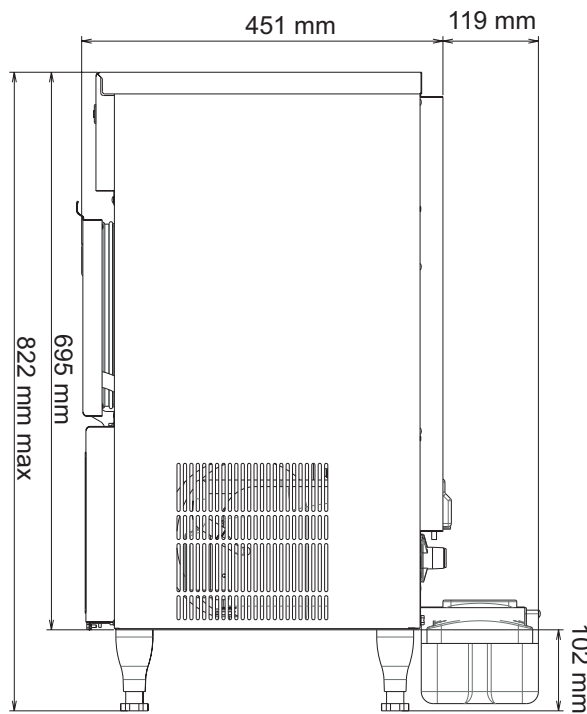
External drain pump.
Freedom & flexibility.



EXAMPLE OF IM-21



PUMP POSITION UNDERNEATH



PUMP POSITION AT REAR

SHIPPING SPECIFICATIONS

MODEL	Net Equipment Dimensions		Crated Dimensions		
	W x D x H (mm)	Net Weight (kg)	W x D x H (mm)	Gross Weight (kg)	Volume (m ³)
Si-83 Pack 1	287 x 146 x 129	2.3	315 x 151 x 175	2.9	0.008

IMPORTANT NOTICE: Installations need to be completed by a competent individual.



Hoshizaki Belgium: info@hoshizaki.be
 Hoshizaki Denmark: info@hoshizaki.dk
 Hoshizaki Deutschland: info@hoshizaki.de
 Hoshizaki France: info@hoshizaki.fr
 Hoshizaki Iberia: info@hoshizaki.es
 Hoshizaki Italia: info@hoshizaki.it
 Hoshizaki Middle East: sales@hoshizaki.ae

Hoshizaki Netherlands: info@hoshizaki.nl
 Hoshizaki Norge: info@hoshizaki.no
 Hoshizaki United Kingdom: uksales@hoshizaki.uk
 Hoshizaki Sverige: info@hoshizaki.se
 Export Countries: sales@hoshizaki.nl
 Other countries: sales@hoshizaki.nl

www.hoshizaki-europe.com