

NO. E1CK-3348

ISSUED: JUN.2010

REVISED: JUN.10.2014

SERVICE INFORMATION



HOSHIZAKI MODULAR CUBER

MODEL
IM-240DNE
IM-240DNE-C
IM-240DNE-21,-23,-32
IM-240XNE
IM-240XNE-21,-23,-32
IM-240DSNE
IM-240DSNE-23
IM-240XSNE
IM-240XSNE-23

E1CK, E1CK-C241,-C243,-C251,-C252,-D001,-D002,-D003,-D004
-D005,-D007,-D008,-D009,-D010,-D011,-D012,-D013,-D014,-D015
-D016,-D017,-D018,-D019,-D020,-D021,-D022,-D023,-D024,-D025
-D026,-D027

PARTS LIST

[HE, GENERAL (50Hz) (60Hz), HSP, AUSTRALIA, CHINA, KOREA (60Hz)]

K-1	JUN. 2010	C-1	FEB. 2013
A-0	JAN. 2011	D-0	JAN. 2014
B-0	JAN. 2012		
B-1	APR. 2012		
C-0	JAN. 2013		

AUXILIARY CODE

U - 1

The auxiliary code is the first two characters in the serial number. The first character indicates the production year. Years progress or regress in alphabetical order. The series of letters and skipped letters depend on UL listing, production, and model. See the auxiliary code(s) and corresponding year(s) on the front cover.

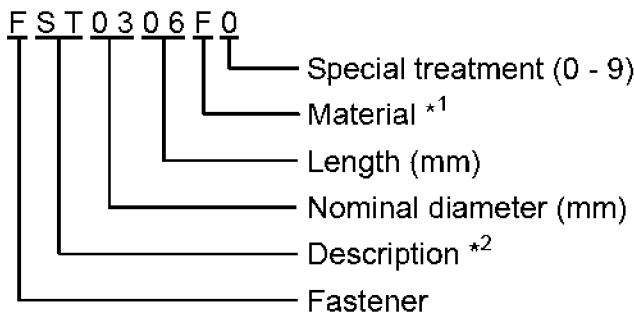
The second character indicates significant part changes within the same year. Base is "1" and this number advances for each change. If there is no significant part change at the turn of the year, this number starts from "0."

MARKS LOCATED UNDER THE AUXILIARY CODE

- = Part deleted.
- x = Part deleted and replaced by "o" part.
- o = New part in place of "x" part.

FASTENER PART NUMBER

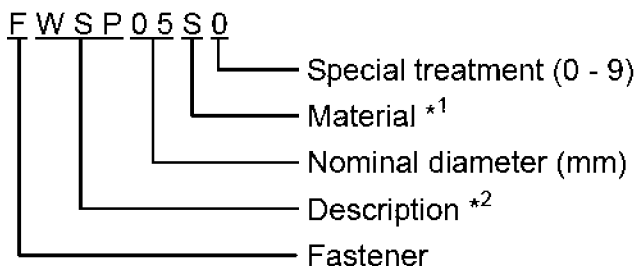
SCREWS



*¹ Material

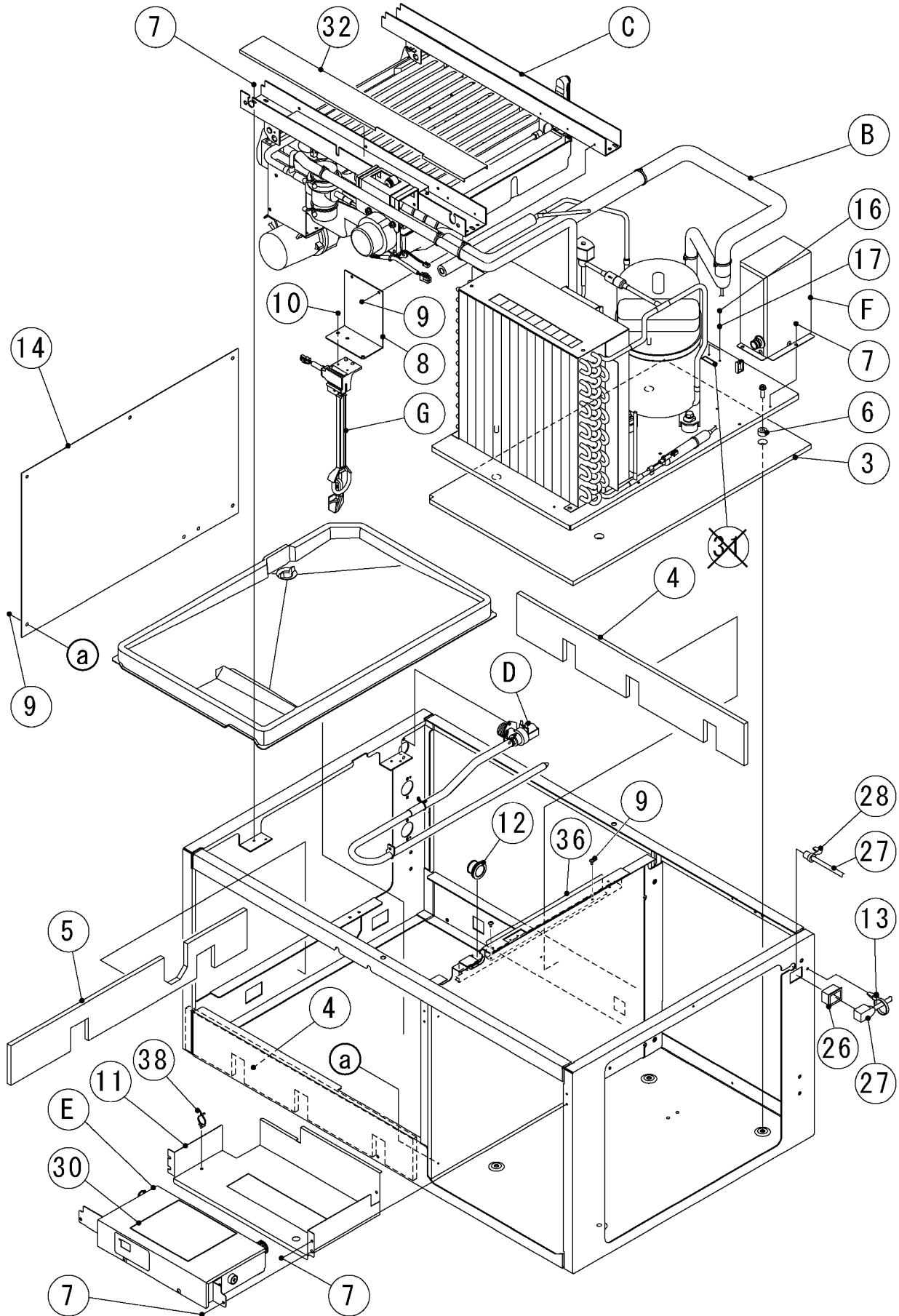
- F: Steel
- S: Austenitic stainless steel
- M: Martensitic stainless steel
- B: Copper alloy
- P: Polycarbonate
- N: Polyamide
- V: PVC
- A: ABS
- X: Polyacetal
- L: Aluminum

NUTS & WASHERS



*² Description

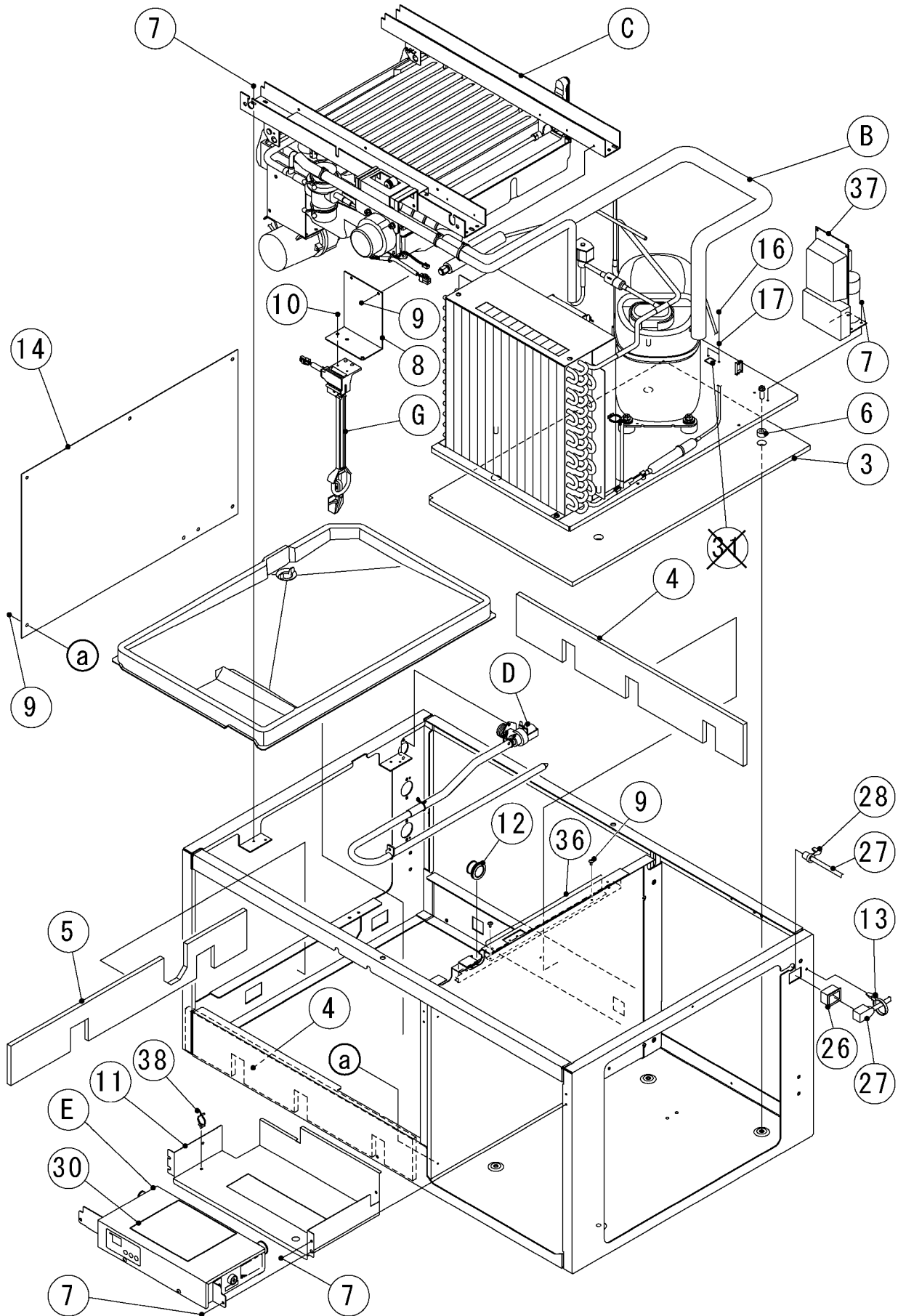
- First letter
- S: Machine screw
- T: Tapping screw
- M: Wood screw
- B: Bolt
- W: Washer
- N: Nut

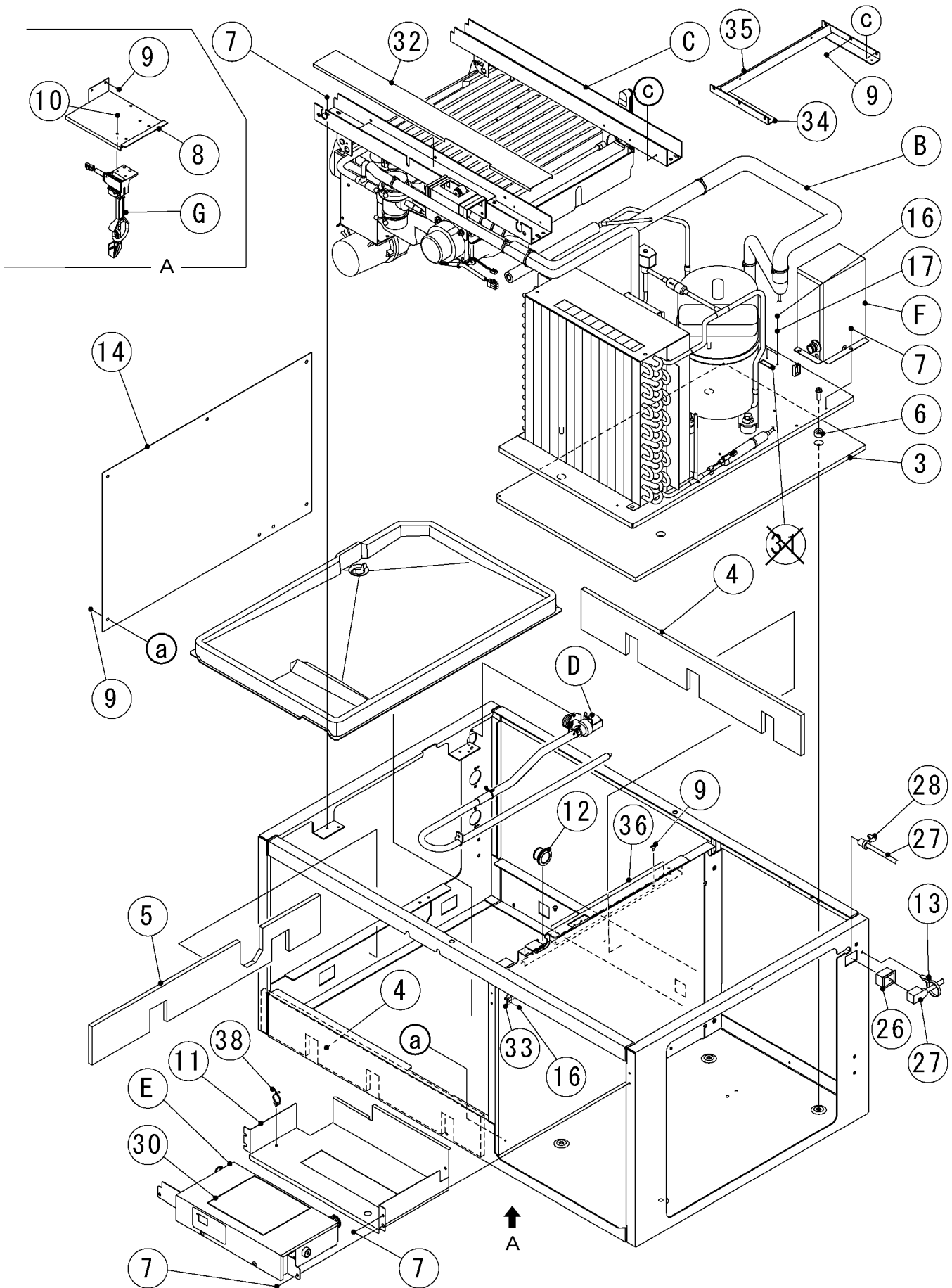


IM-240DNE(-C,-21,-23,-32)
IM-240DSNE(-23)

50Hz (B-1) and later
60Hz (C-1) and later

A. ICE CUBER ASSY (1/2)

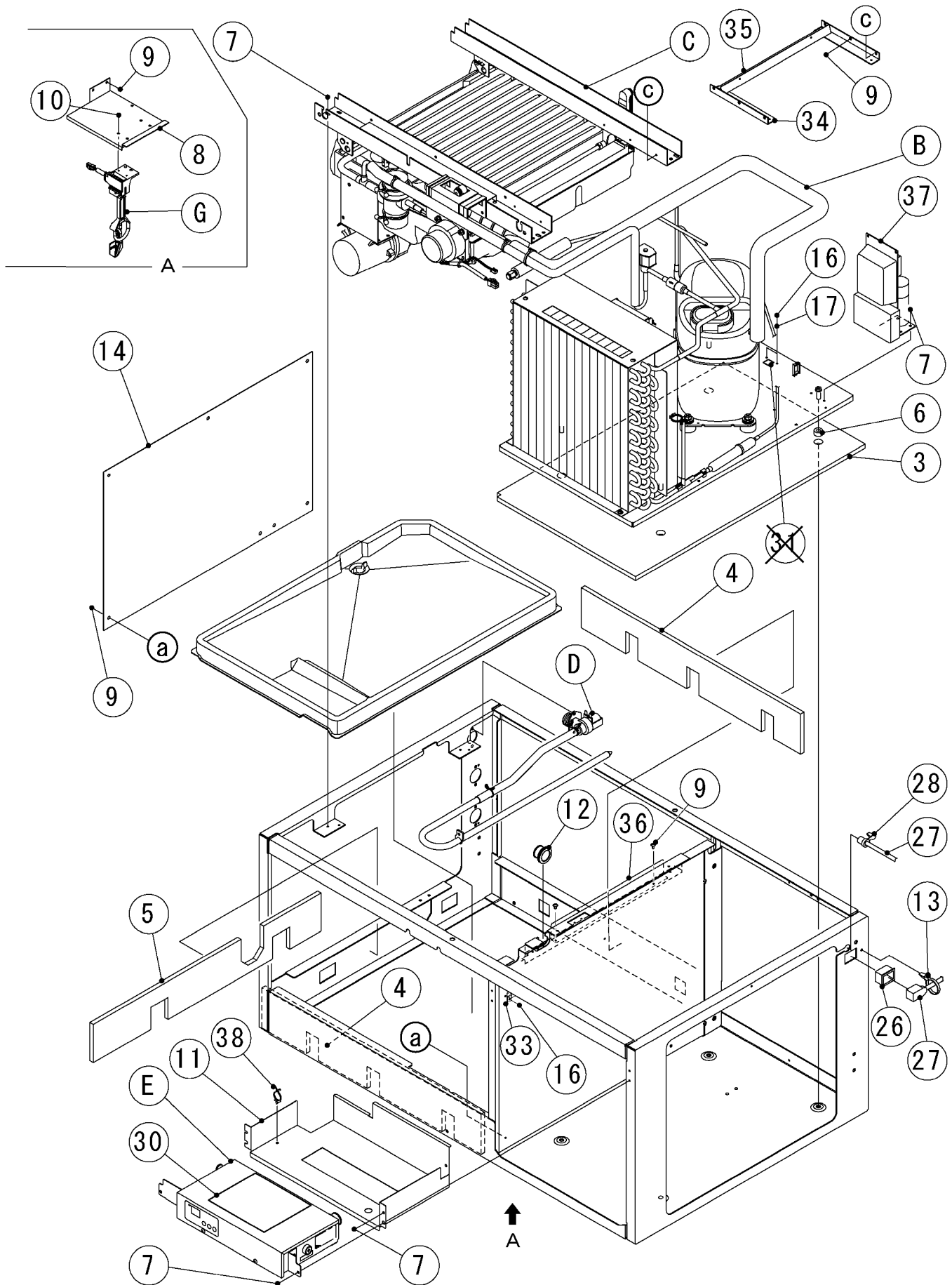




IM-240XNE(-21,-23,-32)
 IM-240XSNE(-23)

A. ICE CUBER ASSY (1/2)

50Hz (B-1) and later
 60Hz (C-1) and later



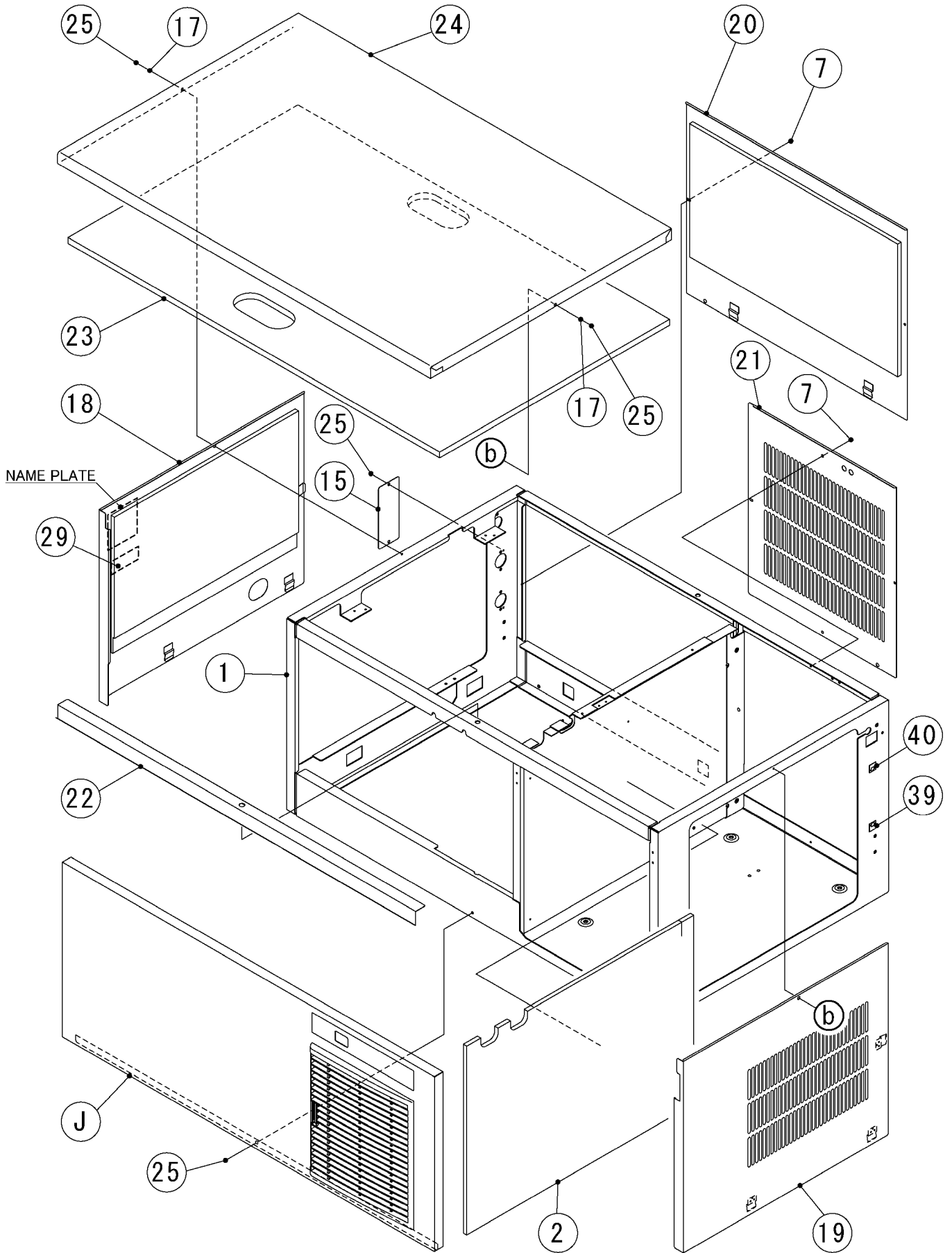
IM-240DNE(-C,-21,-23,-32)

IM-240XNE(-21,-23,-32)

IM-240DSNE(-23)

IM-240XSNE(-23)

A. ICE CUBER ASSY (2/2) (K-1) and later



HE,GENERAL(50Hz)(60Hz),HSP,AUSTRALIA,CHINA,KOREA(60Hz)

MODEL : IM-240DNE(-C,-21,-23,-32) IM-240XNE(-21,-23,-32) IM-240DSNE(-23) IM-240XSNE(-23)							
TITLE : A. ICE CUBER ASSY							
INDEX NO.	DESCRIPTION	MATERIAL OR MODEL NUMBER	PART NUMBER	REQ'D NUMBER			
				K-1,A-0 B-0	B-1 B-2	B-3 C-0	C-1 D-0
B	REFRIGERATION ASSY	(50Hz) (EXCEPT 240DNE-C)	1H4668A01	1	-	-	-
			1H5184A01	-	1	1	1
		(60Hz)	1H4668A01	1	1	1	-
			1H5184A01	-	-	-	1
		(240DNE-C)	1H4690A01	1	-	-	-
			1H5229A01	-	1	1	1
(240DSNE,-23) (240XSNE,-23)	1H5295A01				1		
C	MECHANISM ASSY	-	1H4669A01	1	1	1	1
		(240DNE-C)	1H4679A01	1	1	1	1
D	WATER CIRCUIT ASSY	-	2H9942A01	1	1	1	1
E	CONTROL BOX ASSY	(50Hz)	2H9968A01	1	-	-	-
			2X1162A01	-	1	1	1
		(60Hz)	2H9968A01	1	1	1	-
			2X1162A01	-	-	-	1
		(240DSNE,-23) (240XSNE,-23)	2X1501A01	-	-	-	1
F	CONTROL BOX B - ASSY	(50Hz)	3Y5105A01	1	-	-	-
		(60Hz)		1	1	1	-
G	BIN SWITCH ASSY	(240DNE,-C,-21,-23,-32) (240DSNE,-23)	3Y5222A01	1	1	1	1
		(240XNE,-21,-23,-32) (240XSNE,-23)	3Y5244A01	1	1	1	1
J	FRONT COVER	(50Hz)	2H9946A01	1	-	-	-
			2X1164A01	-	1	1	1
		(60Hz)	2H9946A01	1	1	1	-
			2X1164A01	-	-	-	1
		(240DSNE,-23) (240XSNE,-23)	2X1168A01	-	-	-	1
1	UNIT FRAME	-	1H4667G01	1	1	1	1
		(240DSNE,-23) (240XSNE,-23)	1H4667G02	-	-	-	1
		(SUS316)	1H5205G01	-	1	1	1
2	INSULATION - SEPARATOR	-	3Y5008P01	1	1	1	1
3	INSULATION - CHASSIS	-	4Y6574P01	1	1	1	1
4	INSULATION - FRAME	-	4Y5945P01	2	2	2	2
5	INSULATION - SIDEFAME L	-	4Y5944P01	1	1	1	1

HE,GENERAL(50Hz)(60Hz),HSP,AUSTRALIA,CHINA,KOREA(60Hz)

MODEL : IM-240DNE(-C,-21,-23,-32) IM-240XNE(-21,-23,-32) IM-240DSNE(-23) IM-240XSNE(-23)								TITLE : A. ICE CUBER ASSY			
INDEX NO.	DESCRIPTION	MATERIAL OR MODEL NUMBER	PART NUMBER	REQ'D NUMBER							
				K-1,A-0 B-0	B-1 B-2	B-3 C-0	C-1 D-0				
6	COLLAR	-	4H8163-01	4	4	4	4				
7	FLANGE BOLT (S-TITE)	-	FTR0408M0	18	18	18	18				
8	BRACKET - BIN CONTROL SWITCH	(240DNE,-C,-21,-23,-32) (240DSNE,-23)	4Y7486M01	1	1	1	1				
		(240XNE,-21,-23,-32) (240XSNE,-23)	4Y5943M01	1	1	1	1				
9	TRUSS HEAD TAPPING SCREW T2	(240DNE,-C,-21,-23,-32) (240DSNE,-23)	FT20408S0	9	9	9	9				
		(240XNE,-21,-23,-32) (240XSNE,-23)		15	15	15	15				
10	TRUSS HEAD TAPPING SCREW T2	-	FT20412S0	2	2	2	2				
11	UNIT BOX	-	2H9970M01	1	1	1	1				
12	GROMMET	-	4H2568-01	1	1	1	1				
13	PUSH MOUNT TIE	T30RSF	436156-01	1	1	1	1				
14	PROTECTOR - SEPARATOR	(50Hz)	3Y4267P01	1	-	-	-				
		(60Hz)		1	1	1	-				
		(240DSNE,-23) (240XSNE,-23)		-	-	-	1				
15	PLATE	-	4Y2479-01	1	1	1	1				
16	TRUSS HEAD MACHINE SCREW	(240DNE,-C,-21,-23,-32) (240DSNE,-23)	FST0408S0	2	2	2	2				
		(240XNE,-21,-23,-32) (240XSNE,-23)		3	3	3	3				
17	SPRING WASHER	-	FWSP04S0	4	4	4	4				
18	SIDE PANEL - L	-	3Y5012G01	1	1	1	1				
19	SIDE PANEL - R	-	3Y5013G01	1	1	1	1				
20	REAR PANEL	-	3Y5016G01	1	1	1	1				
21	REAR PANEL R	-	3Y5018M01	1	1	1	1				
22	HOOK - TOP PANEL	-	3Y5019M01	1	1	1	1				
23	INSULATION - TOP PANEL	(240DNE,-C,-21,-23,-32) (240DSNE,-23) (240XSNE,-23)	3H9603-01	1	1	1	1				
24	TOPPANEL	(240DNE,-C,-21,-23,-32) (240DSNE,-23) (240XSNE,-23)	1H4725M01	1	1	1	1				
25	TRUSS HEAD TAPPING SCREW (S-TITE)	-	FTS0408M0	5	5	5	5				
26	CONNECTOR	-	P00246-01	1	1	1	1				

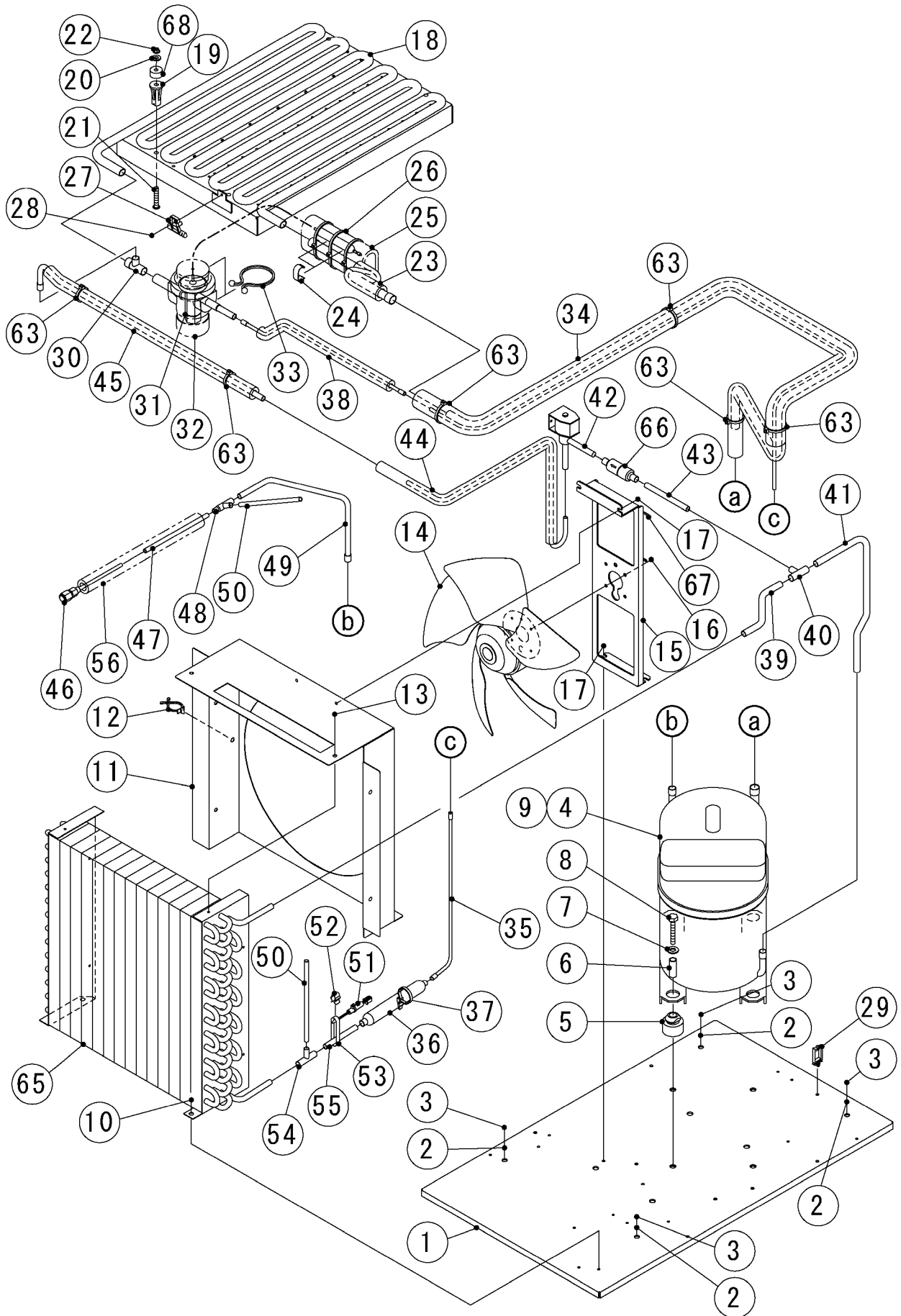
HE, GENERAL(50Hz)(60Hz), HSP, AUSTRALIA, CHINA, KOREA(60Hz)

MODEL : IM-240DNE(-C,-21,-23,-32) IM-240XNE(-21,-23,-32) IM-240DSNE(-23) IM-240XSNE(-23)							
TITLE : A. ICE CUBER ASSY							
INDEX NO.	DESCRIPTION	MATERIAL OR MODEL NUMBER	PART NUMBER	REQ'D NUMBER			
				K-1,A-0 B-0	B-1 B-2	B-3 C-0	C-1 D-0
27	POWER SUPPLY CORD	EU-PLUG(16A)	P03362-01	1	1	1	1
		UK-PLUG(13A)	P03363-01	1	1	1	1
		AS-PLUG(15A)	P03364-01	1	1	1	1
	POWER CORD	(CHINA)	P02215-01	1	1	1	1
	POWER CORD	(240DSNE,-23) (240XSNE,-23)	450203-01	-	-	-	1
			P00243-01	-	-	-	1
P00244-01			-	-	-	1	
28	BUSHING	(AUSTRALIA)	450414-01	1	1	1	1
		(240DSNE-23) (240XSNE,-23)	448949-01	-	-	-	1
29	LABEL - COMMERCIAL	(CHINA)	475135L01	1	1	1	1
30	WIRING LABEL	(50Hz)	3Y5103L01	1	-	-	-
			3Y6692L01	-	1	1	1
		(60Hz)	3Y5103L01	1	1	1	-
			3Y6692L01	-	-	-	1
		(240DSNE,-23) (240XSNE,-23)	3Y7269L01	-	-	-	1
31	LABEL - GROUND	(50Hz)	451712-01	1	-	-	-
	LABEL - GROUND (B)		450452-02	-	-	-	-
	LABEL - GROUND	(60Hz)	451712-01	1	1	1	-
	LABEL - GROUND (B)		450452-02	-	-	-	-
32	GUIDE - CONNECTOR	(240XNE,-21,-23,-32) (240XSNE,-23)	312762-01	1	1	1	1
33	CLAMP	(240XNE,-21,-23,-32) (240XSNE,-23)	418814-06	1	1	1	1
34	PLATE-ICE SHOOT	(240XNE,-21,-23,-32) (240XSNE,-23)	4Y8197M01	2	2	2	2
35	BRACKET	(240XNE,-21,-23,-32) (240XSNE,-23)	426049-01	1	1	1	1
36	COVER-UNIT	-	3Y6093M01	1	1	1	1
37	STARTING DEVICE	(50Hz)	P01856-01	-	1	1	1
		(60Hz)	P02887-01	-	-	-	1
38	CLAMP		427902-02	1	1	1	1
39	LABEL (A) – CONNECTION	(240DSNE,-23) (240XSNE,-23)	420743-01	-	-	-	1
40	LABEL (B) – CONNECTION	(240DSNE,-23) (240XSNE,-23)	420743-02	-	-	-	1

HE, GENERAL, HSP, AUSTRALIA, CHINA
 IM-240DNE (-21, -23, -32)
 IM-240XNE (-21, -23, -32)

B. REFRIGERATION ASSY

50Hz (K-1) to (B-0)
 60Hz (K-1) to (C-0)

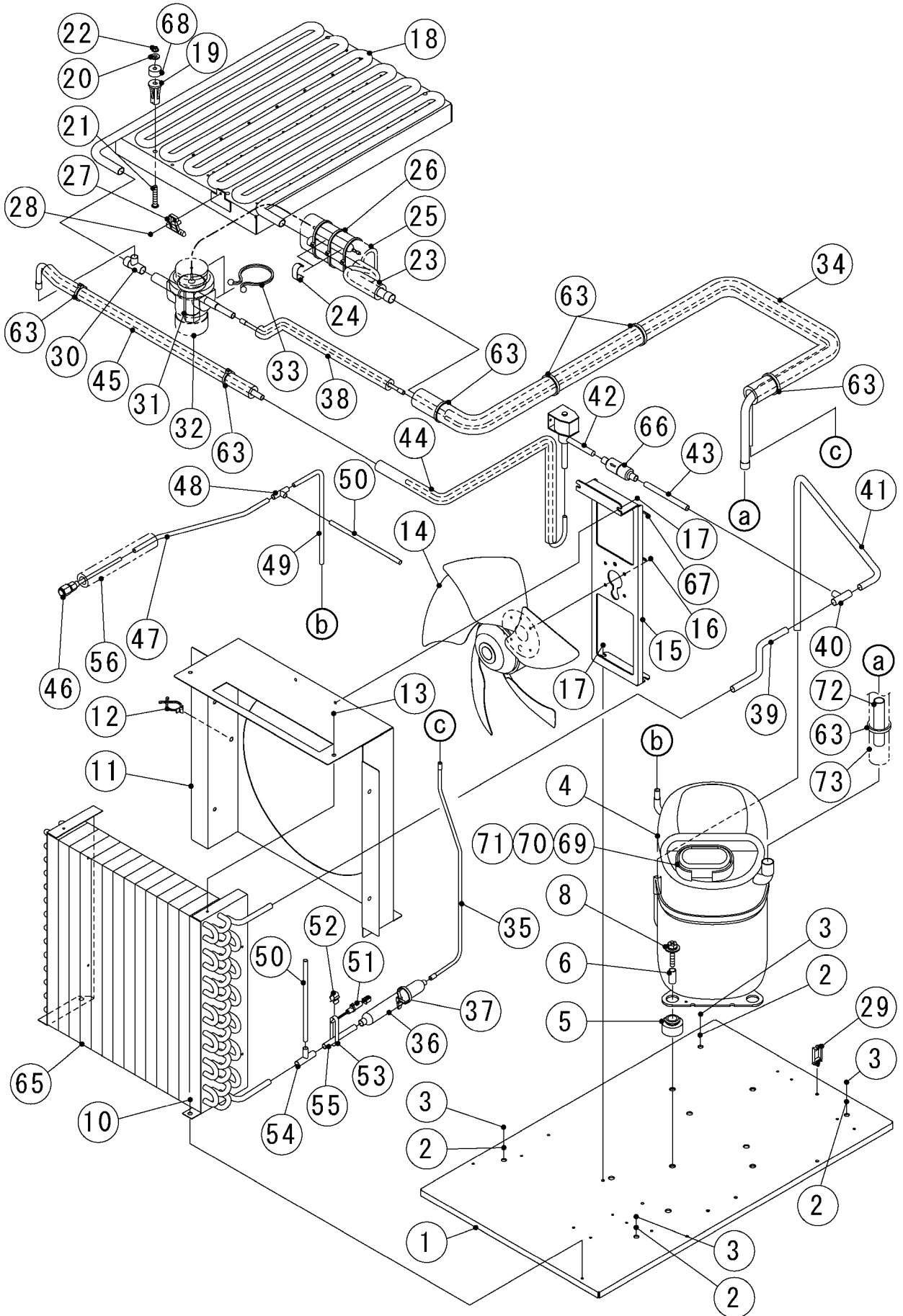


HE, GENERAL (50Hz), HSP, AUSTRALIA, CHINA
 IM-240DNE (-21, -23, -32)
 IM-240XNE (-21, -23, -32)

(50Hz)

B. REFRIGERATION ASSY

(B-1) and later



HE, GENERAL (60Hz), HSP, AUSTRALIA, CHINA

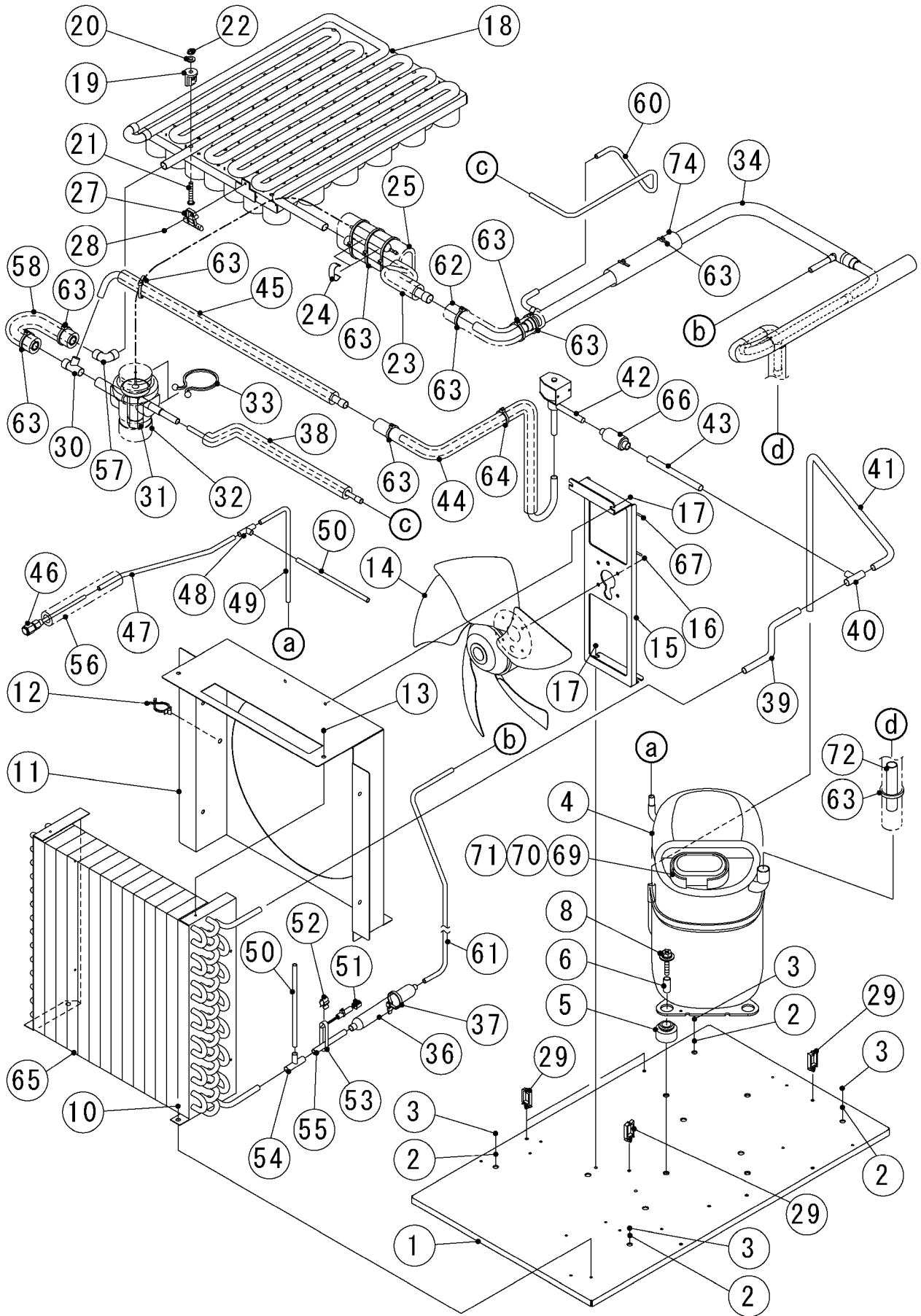
IM-240DNE (-21, -23, -32)

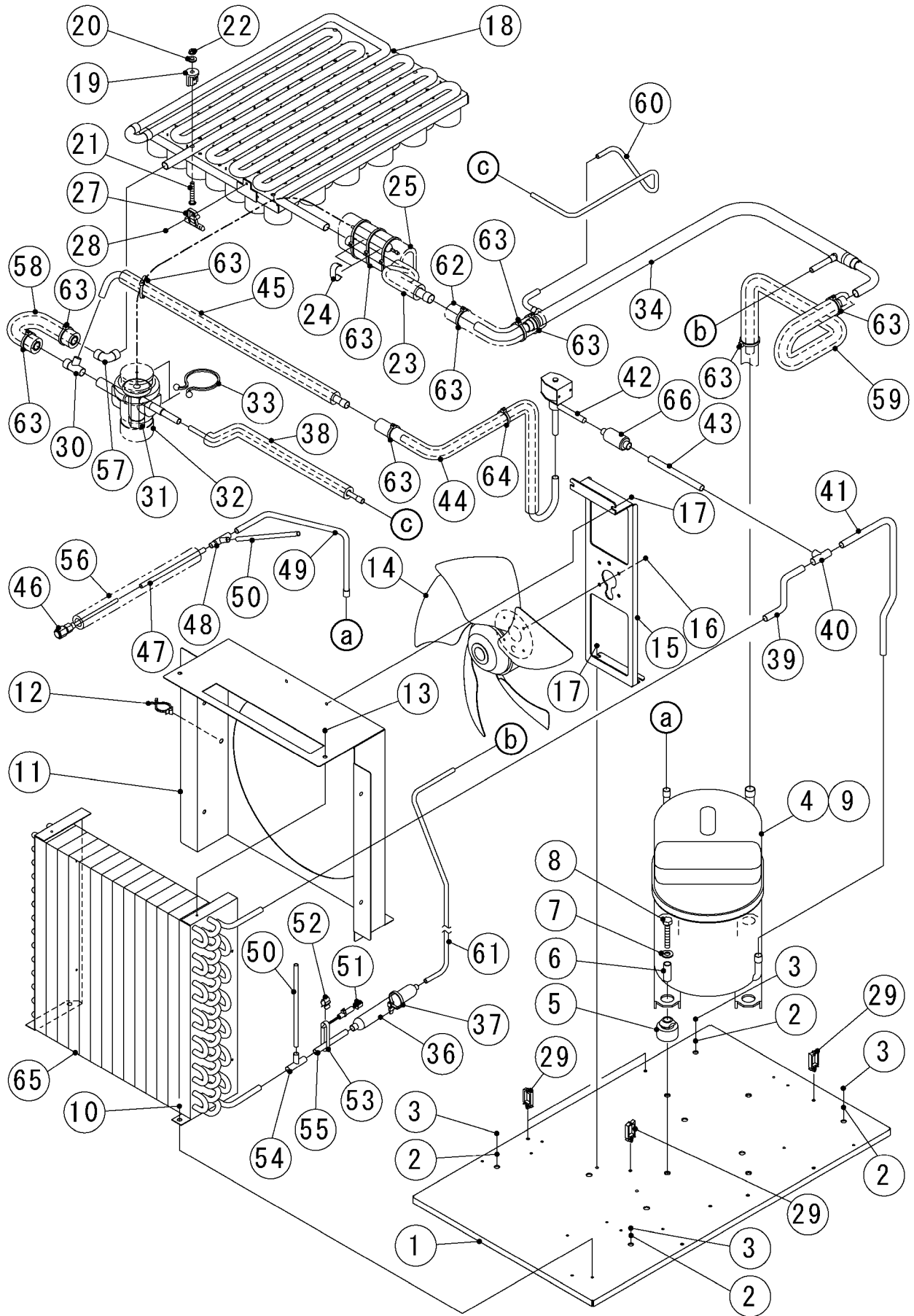
IM-240XNE (-21, -23, -32)

(60Hz)

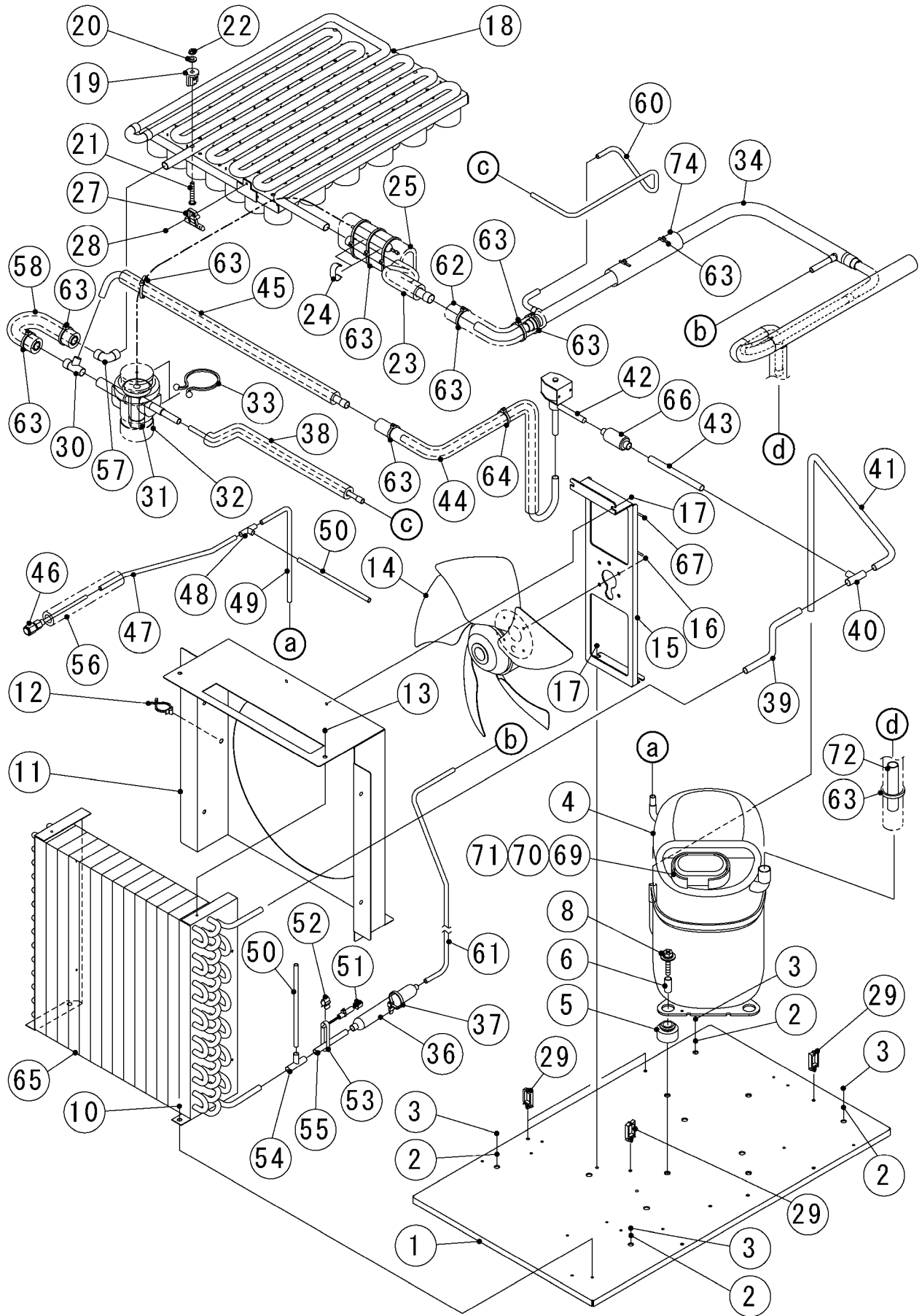
B. REFRIGERATION ASSY

(C-1) and later





IM-240DNE-C B. REFRIGERATION ASSY (B-1) and later



MODEL : IM-240DNE(-C,-21,-23,-32) IM-240XNE(-21,-23,-32)		TITLE : B. REFRIGERATION ASSY					
INDEX NO.	DESCRIPTION	MATERIAL OR MODEL NUMBER	PART NUMBER	REQ'D NUMBER			
				K-1,A-0 B-0	B-1 B-2	B-3 C-0	C-1 D-0
1	BASE	(50Hz)	3Y5023G01	1	-	-	-
			3Y6693G01	-	1	1	1
2	FLAT WASHER	-	FWPL06N0	4	4	4	4
3	HEX HEAD BOLT	-	FBH0620S0	4	4	4	4
4	COMPRESSOR	(50Hz)	4A1581-01	1	-	-	-
			P01855-01	-	1	1	1
5	GROMMET	(50Hz)	434922-02	4	-	-	-
	RUBBER GROMMET		P01858-01	-	4	4	4
6	SPACER	(50Hz)	434921-01	4	-	-	-
	SLEEVE		P01859-01	-	4	4	4
7	FLAT WASHER	-	FWPL08F0	-	-	-	-
8	BOLT	(50Hz)	436206-04	4	-	-	-
			436206-03	-	4	4	4
9	MOTOR PROTECTOR	(50Hz)	4A1581F01	1	-	-	-
10	FLANGE BOLT (S-TITE)	-	FTR0408M0	2	2	2	2
11	SHROUD	-	2H9947M01	1	1	1	1
12	CLAMP	No.2674	427902-02	1	1	1	1
13	TRUSS HEAD TAPPING SCREW T2	-	FT20408F0	6	6	6	6
14	FAN MOTOR	A4E300-AS72-01	P02545-01	1	1	1	1
15	BRACKET - FM	-	3Y5075M01	1	1	1	1
16	HEX HEAD BOLT (SPRING WASHER AND FLAT WASHER)	-	FBK0408F0	5	5	5	5
17	HEX HEAD BOLT (SPRING WASHER AND FLAT WASHER)	-	FBK0508F0	4	4	4	4
18	EVAPORATOR	(240DNE,XNE)	2H7526G02	1	1	1	1
		(240DNE-C)	2H9949G01	1	1	1	1
		(240DNE-21,XNE-21)	208205G04	1	1	1	1
		(240DNE-23,XNE-23)	2H1833G03	1	1	1	1
		(240DNE-32,XNE-32)	2H3631G02	1	1	1	1
19	COLLAR		3H3879-01	4	4	4	4
	SPACER	(240DNE-C)	4H0471-01	4	4	4	4
20	WASHER	-	4H0777-01	4	4	4	4
21	SCREW EVAPORATOR	(240DNE,DNE-32, 240XNE,XNE-32)	4Y4922M02	4	4	4	4
		(240DNE-C)	4Y4922M01	4	4	4	4
		240DNE-21,-23, 240XNE-21,-23	4Y4922M03	4	4	4	4

MODEL : IM-240DNE(-C,-21,-23,-32) IM-240XNE(-21,-23,-32)		TITLE : B. REFRIGERATION ASSY					
INDEX NO.	DESCRIPTION	MATERIAL OR MODEL NUMBER	PART NUMBER	REQ'D NUMBER			
				K-1,A-0 B-0	B-1 B-2	B-3 C-0	C-1 D-0
22	FLANGE NUT	-	FNHF06S0	4	4	4	4
23	PIPE(B) - LOW SIDE	-	4Y6625G01	1	1	1	1
24	CLIP	-	452254-02	2	2	2	2
25	INSULATION	-	4X8643-01	1	1	1	1
26	NYLON TIE	(240DNE)	7920-0002	3	3	3	3
27	HOLDER - THERMISTOR	-	3H9642-01	1	1	1	1
28	TRUSS HEAD TAPPING SCREW (S-TITE)	-	FTS0408M0	1	1	1	1
29	WIRE SADDLE	-	428060-02	1	1	1	1
30	TEE	-	430608-01	1	1	1	1
31	EXPANSION VALVE	FRE-10NHD-3	P01874-01	1	1	1	1
32	VALVE COVER	-	3Y3051P01	1	1	1	1
33	CLAMP	18T6	P00752-01	2	2	2	2
34	HEAT EXCHANGER	(50Hz)	2X0035G01	1	-	-	-
			2X1147G01	-	1	1	1
		(240DNE-C)	3Y3207G01	1	1	1	1
35	PIPE(C-2) - HIGH SIDE	(50Hz)	4Y6694M01	1	-	-	-
	PIPE(B)-HIGH SIDE	(EXCEPT 240DNE-C)	4Y7777M01	-	1	1	1
36	DRIER	-	P00026-01	1	1	1	1
37	PUSH MOUNT TIE	T30RSF	436156-01	1	1	1	1
38	PIPE(C) - HIGH SIDE		3Y5067G01	1	1	1	1
		(240DNE-C)	3Y5074G01	1	1	1	1
39	PIPE(B) - HIGH SIDE	(50Hz)	4Y6691M01	1	-	-	-
			4Y7778M01	-	1	1	1
40	TEE	-	420041-09	1	1	1	1
		(240DNE-C)	417394-02	1	1	1	1
41	PIPE(A) - HIGH SIDE	(50Hz)	4Y6693M01	1	-	-	-
			3Y6687M01	-	1	1	1
42	HOT GAS VALVE	ATS-7S23HD-1	P01871-01	1	1	1	1
43	PIPE(A) - HOT GAS	-	4Y6692M01	1	1	1	1
		(240DNE-C)	4Y6626M02	1	1	1	1
44	PIPE(B) - HOT GAS	-	3Y5135G01	1	1	1	1
		(240DNE-C)	3Y5150G01	1	1	1	1
45	PIPE(C) - HOT GAS	-	3Y5069G01	1	1	1	1
		(240DNE-C)	3Y5073G01	1	1	1	1

MODEL : IM-240DNE(-C,-21,-23,-32) IM-240XNE(-21,-23,-32)								TITLE : B. REFRIGERATION ASSY							
INDEX NO.	DESCRIPTION	MATERIAL OR MODEL NUMBER	PART NUMBER	REQ'D NUMBER											
				K-1,A-0 B-0	B-1 B-2	B-3 C-0	C-1 D-0								
46	ACCESS VALVE	-	455119-01	1	1	1	1								
47	PIPE(B) - PROCESS	(50Hz)	4Y6621M01	1	-	-	-								
			4Y7779M01	-	1	1	1								
48	TEE	(50Hz)	420041-03	1	-	-	-								
			417394-01	-	1	1	1								
49	PIPE(A) - PROCESS	(50Hz)	4Y6651M01	1	-	-	-								
			4Y7780M01	-	1	1	1								
50	PROCESS TUBE	-	4Y0273-01	2	2	2	2								
51	THERMISTOR(G) - FILTER	-	4Y4859G01	1	1	1	1								
52	CLIP - THERMISTOR	-	4R2938-01	1	1	1	1								
53	ALUMINUM TAPE	(50Hz)	1H4668-01	1	-	-	-								
			1H5184Z01	-	1	1	1								
		(240DNE-C)	1H5229-01	-	1	1	1								
54	TEE	-	420041-02	1	1	1	1								
55	PIPE(F) - HIGH SIDE	-	4Y6750M01	1	1	1	1								
56	INSULATION TUBE	(50Hz)	H71323250	1	-	-	-								
			H71323150	-	1	1	1								
57	ELBOW	(240DNE-C)	417395-03	1	1	1	1								
58	CONNECT PIPE	(240DNE-C)	4Y6781G01	1	1	1	1								
59	PIPE(A)-LOW SIDE	(240DNE-C)	3Y5099G01	1	-	-	-								
			3Y6825G01	-	1	1	1								
60	PIPE(E) - HIGH SIDE	(240DNE-C)	4Y6627M01	1	1	1	1								
61	PIPE(D) - HIGH SIDE	(240DNE-C)	3Y5072M01	1	-	-	-								
			3Y5072M02	-	1	1	1								
62	INSULATION TUBE	(240DNE-C)	H72030B20	1	1	1	1								
63	TIE	-	7920-0003	6	6	6	6								
		(240DNE-C)	7920-0003	12	13	13	13								
64	NYLON TIE	(240DNE-C)	7920-0010	1	1	1	1								
65	CONDENSER	-	P03307-01	1	1	1	1								
		(CHINA)	P01875-01	1	1	1	1								
66	STRAINER	-	P00812-01	1	1	1	1								
		(240DNE-C)	430365-05	1	1	1	1								
67	TIE	-	7920-0002	2	2	2	2								

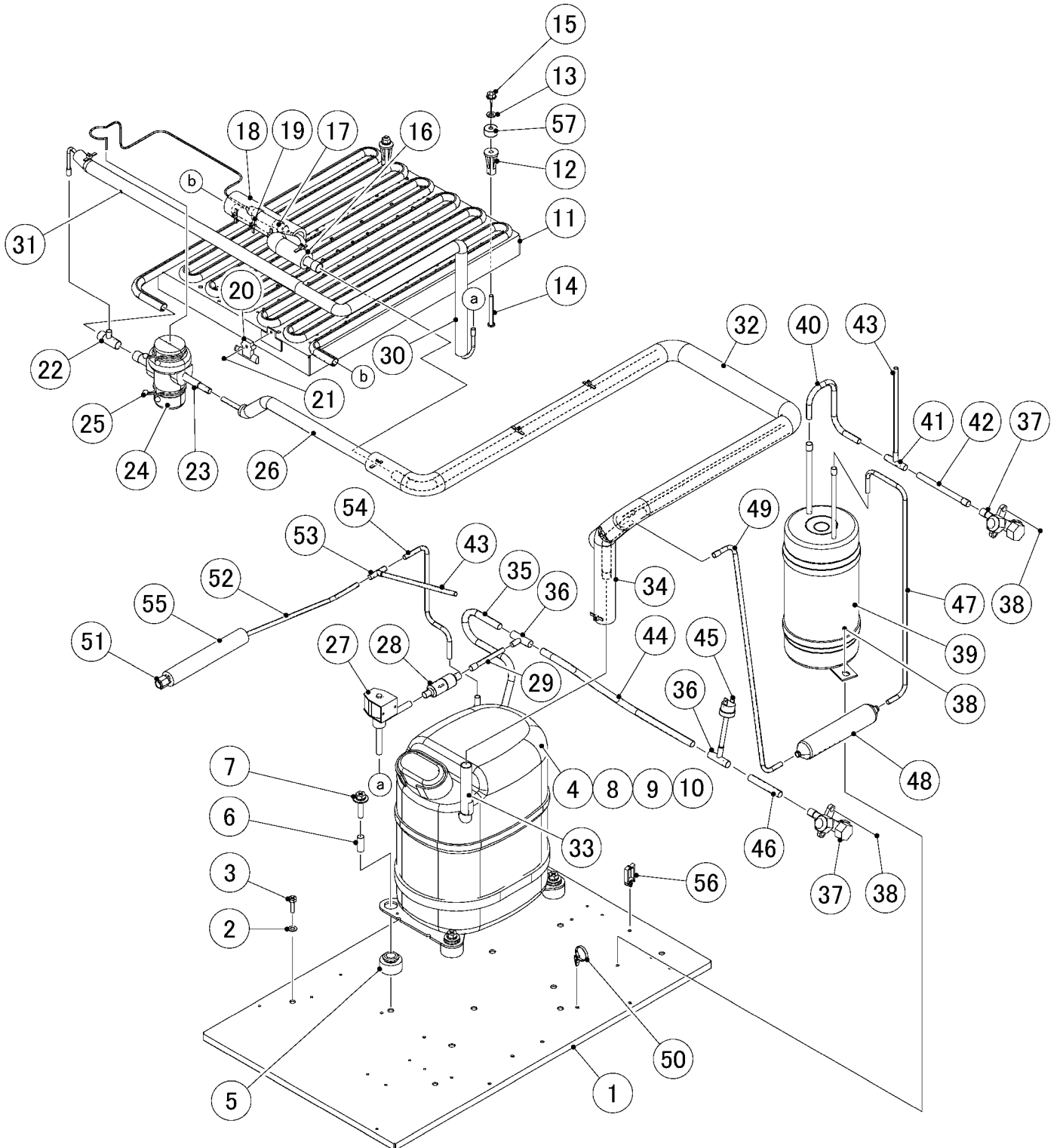
MODEL : IM-240DNE(-C,-21,-23,-32) IM-240XNE(-21,-23,-32)		TITLE : B. REFRIGERATION ASSY					
INDEX NO.	DESCRIPTION	MATERIAL OR MODEL NUMBER	PART NUMBER	REQ'D NUMBER			
				K-1,A-0 B-0	B-1 B-2	B-3 C-0	C-1 D-0
1	BASE	(60Hz)	3Y5023G01	1	1	1	-
			3Y6693G01	-	-	-	1
2	FLAT WASHER	-	FWPL06N0	4	4	4	4
3	HEX HEAD BOLT	-	FBH0620S0	4	4	4	4
4	COMPRESSOR	(60Hz)	4A1322-01	1	1	1	-
			P02886-01	-	-	-	1
5	GROMMET	(60Hz)	434922-02	4	4	4	-
	RUBBER GROMMET		P01858-01	-	-	-	4
6	SPACER	(60Hz)	434921-01	4	4	4	-
	SLEEVE		P01859-01	-	-	-	4
7	FLAT WASHER	-	FWPL08F0	-	-	-	-
8	BOLT	(60Hz)	436206-04	4	4	4	-
			436206-03	-	-	-	4
9	MOTOR PROTECTOR	(60Hz)	4A1581F01	1	1	1	-
10	FLANGE BOLT (S-TITE)	-	FTR0408M0	2	2	2	2
11	SHROUD	-	2H9947M01	1	1	1	1
12	CLAMP	No.2674	427902-02	1	1	1	1
13	TRUSS HEAD TAPPING SCREW T2	-	FT20408F0	6	6	6	6
14	FAN MOTOR	A4E300-AS72-01	P02545-01	1	1	1	1
15	BRACKET - FM	-	3Y5075M01	1	1	1	1
16	HEX HEAD BOLT (SPRING WASHER AND FLAT WASHER)	-	FBK0408F0	5	5	5	5
17	HEX HEAD BOLT (SPRING WASHER AND FLAT WASHER)	-	FBK0508F0	4	4	4	4
18	EVAPORATOR	(240DNE,XNE)	2H7526G02	1	1	1	1
		(240DNE-21,XNE-21)	208205G04	1	1	1	1
		(240DNE-23,XNE-23)	2H1833G03	1	1	1	1
		(240DNE-32,XNE-32)	2H3631G02	1	1	1	1
19	COLLAR	-	3H3879-01	4	4	4	4
20	WASHER	-	4H0777-01	4	4	4	4
21	SCREW EVAPORATOR	(240DNE,DNE-32, 240XNE,XNE-32)	4Y4922M02	4	4	4	4
		240DNE-21,-23, 240XNE-21,-23	4Y4922M03	4	4	4	4
22	FLANGE NUT	-	FNHF06S0	4	4	4	4
23	PIPE(B) - LOW SIDE	-	4Y6625G01	1	1	1	1
24	CLIP	-	452254-02	2	2	2	2

MODEL : IM-240DNE(-C,-21,-23,-32) IM-240XNE(-21,-23,-32)		TITLE : B. REFRIGERATION ASSY					
INDEX NO.	DESCRIPTION	MATERIAL OR MODEL NUMBER	PART NUMBER	REQ'D NUMBER			
				K-1,A-0 B-0	B-1 B-2	B-3 C-0	C-1 D-0
25	INSULATION	-	4X8643-01	1	1	1	1
26	NYLON TIE	(240DNE)	7920-0002	3	3	3	3
27	HOLDER - THERMISTOR	-	3H9642-01	1	1	1	1
28	TRUSS HEAD TAPPING SCREW (S-TITE)	-	FTS0408M0	1	1	1	1
29	WIRE SADDLE	-	428060-02	1	1	1	1
30	TEE	-	430608-01	1	1	1	1
31	EXPANSION VALVE	FRE-10NHD-3	P01874-01	1	1	1	1
32	VALVE COVER	-	3Y3051P01	1	1	1	1
33	CLAMP	18T6	P00752-01	2	2	2	2
34	HEAT EXCHANGER	(KOREA 60Hz GENERAL 60Hz)	3Y3207G01	1	1	1	1
36	DRIER	-	458776-01	1	1	1	1
37	PUSH MOUNT TIE	T30RSF	436156-01	1	1	1	1
38	PIPE(C) - HIGH SIDE		3Y5067G01	1	1	1	1
39	PIPE(B) - HIGH SIDE	(60Hz)	4Y6691M01	1	1	1	-
			4Y7778M01	-	1	1	1
40	TEE	-	420041-09	1	1	1	1
41	PIPE(A) - HIGH SIDE	(60Hz)	4Y6693M01	1	-	-	-
			3Y6687M01	-	-	-	1
42	HOT GAS VALVE	ATS-7S23HD-1	P01871-01	1	1	1	1
43	PIPE(A) - HOT GAS	-	4Y6692M01	1	1	1	1
44	PIPE(B) - HOT GAS	-	3Y5135G01	1	1	1	1
45	PIPE(C) - HOT GAS	-	3Y5069G01	1	1	1	1
46	ACCESS VALVE	-	455119-01	1	1	1	1
47	PIPE(B) - PROCESS	(60Hz)	4Y6621M01	1	1	1	-
			4Y7779M01	-	-	-	1
48	TEE	(60Hz)	420041-03	1	1	1	-
			417394-01	-	-	-	1
49	PIPE(A) - PROCESS	(60Hz)	4Y6651M01	1	1	1	-
			4Y7780M01	-	-	-	1
50	PROCESS TUBE	-	4Y0273-01	2	2	2	2
51	THERMISTOR(G) - FILTER	-	4Y4859G01	1	1	1	1
52	CLIP - THERMISTOR	-	4R2938-01	1	1	1	1

MODEL : IM-240DNE(-C,-21,-23,-32) IM-240XNE(-21,-23,-32)								TITLE : B. REFRIGERATION ASSY							
INDEX NO.	DESCRIPTION	MATERIAL OR MODEL NUMBER	PART NUMBER	REQ'D NUMBER											
				K-1,A-0 B-0	B-1 B-2	B-3 C-0	C-1 D-0								
53	ALUMINUM TAPE	(60Hz)	1H4668-01	1	1	1	-								
			1H5184Z01	-	-	-	1								
54	TEE	-	420041-02	1	1	1	1								
55	PIPE(F) - HIGH SIDE	-	4Y6750M01	1	1	1	1								
56	INSULATION TUBE	(60Hz)	H71323250	1	1	1	-								
			H71323150	-	-	-	1								
59	PIPE(A) - LOW SIDE	(KOREA 60Hz GENERAL 60Hz)	3Y5099G01	1	1	1	-								
			3Y7317G01	-	-	-	1								
60	PIPE(E) - HIGH SIDE	(KOREA 60Hz GENERAL 60Hz)	4Y6627M01	1	1	1	1								
61	PIPE(D) - HIGH SIDE	(KOREA 60Hz GENERAL 60Hz)	3Y5072M01	1	1	1	-								
			3Y5072M02	-	-	-	1								
62	INSULATION TUBE	(KOREA 60Hz GENERAL 60Hz)	H72030B20	1	1	1	1								
63	TIE	-	7920-0003	6	6	6	10								
65	CONDENSER	-	P03307-01	1	1	1	1								
		(CHINA)	P01875-01	1	1	1	1								
66	STRAINER	-	P00812-01	1	1	1	1								
67	TIE	-	7920-0002	2	2	2	2								
68	WASHER	(240DNE-21,XNE-21)	4H1365-06	4	4	4	4								
	WASHER	(240DNE-23,XNE-23)	4H1365-05	4	4	4	4								
69	COVER	(60Hz)	P02888-01	-	-	-	1								
70	CLAMP	(60Hz)	P01862-01	-	-	-	1								
71	GASKET	(60Hz)	P01863-01	-	-	-	1								
73	INSULATION TUBE	(60Hz)	H72030300	-	-	-	1								
74	INSULATION TUBE	(60Hz)	H72030B15	-	1	1	1								

IM-240DSNE (-23)
IM-240XSNE (-23)

B. REFRIGERATION ASSY (C-1) and later



HE

MODEL : IM-240DSNE(-23) IM-240XNE(-23)								TITLE : B. REFRIGERATION ASSY			
INDEX NO.	DESCRIPTION	MATERIAL OR MODEL NUMBER	PART NUMBER	REQ'D NUMBER							
				C-1 D-0							
1	BASE		3Y6699G02	1							
2	FLAT WASHER		FWPL06N0	4							
3	HEX HEAD BOLT		FBH0620S0	4							
4	COMPRESSOR		P01855-01	1							
5	RUBBER GROMMET		P01858-01	4							
6	SLEEVE		P01859-01	4							
7	BOLT		436206-03	4							
8	COVER		P01857-01	1							
9	CLAMP		P01862-01	1							
10	GASKET		P01863-01	1							
11	EVAPORATOR	(240DSNE,XSNE)	2H7526G01	1							
		(240DSNE-23,XSNE-23)	2H1833G03	1							
12	COLLAR		3H3879-01	4							
13	WASHER		4H0777-01	4							
14	SCREW EVAPORATOR	(240DSNE,XSNE)	4Y4922M02	4							
		(240DSNE-23,XSNE-23)	4Y4922M03	4							
15	FLANGE NUT		FNHF06S0	4							
16	PIPE(B)-LOW SIDE		4Y6625G01	1							
17	CLIP		452254-02	2							
18	INSULATION		4X8643-01	1							
19	TIE		7920-0003	10							
20	HOLDER - THERMISTOR		3H9642-01	1							
21	S-TITE TRUSS HEAD SCREW		FTS0408M0	1							
22	TEE		430608-02	1							
23	EXPANSION VALVE		P01874-01	1							
24	VALVE COVER		3Y3051P01	1							
25	CLAMP		P00752-01	2							
26	PIPE(C)-HIGH SIDE		3Y5229G01	1							
27	HOT GAS VALVE		P01871-01	1							
28	STRAINER		P00812-01	1							
29	COPPER TUBE(A)-HOT GAS		4Y8058M01	1							
30	PIPE(B)-HOT GAS		3Y7267G01	1							
31	PIPE(C)-HOT GAS		3Y7268G01	1							

IM-240DNE(-C, -21, -23, -32)

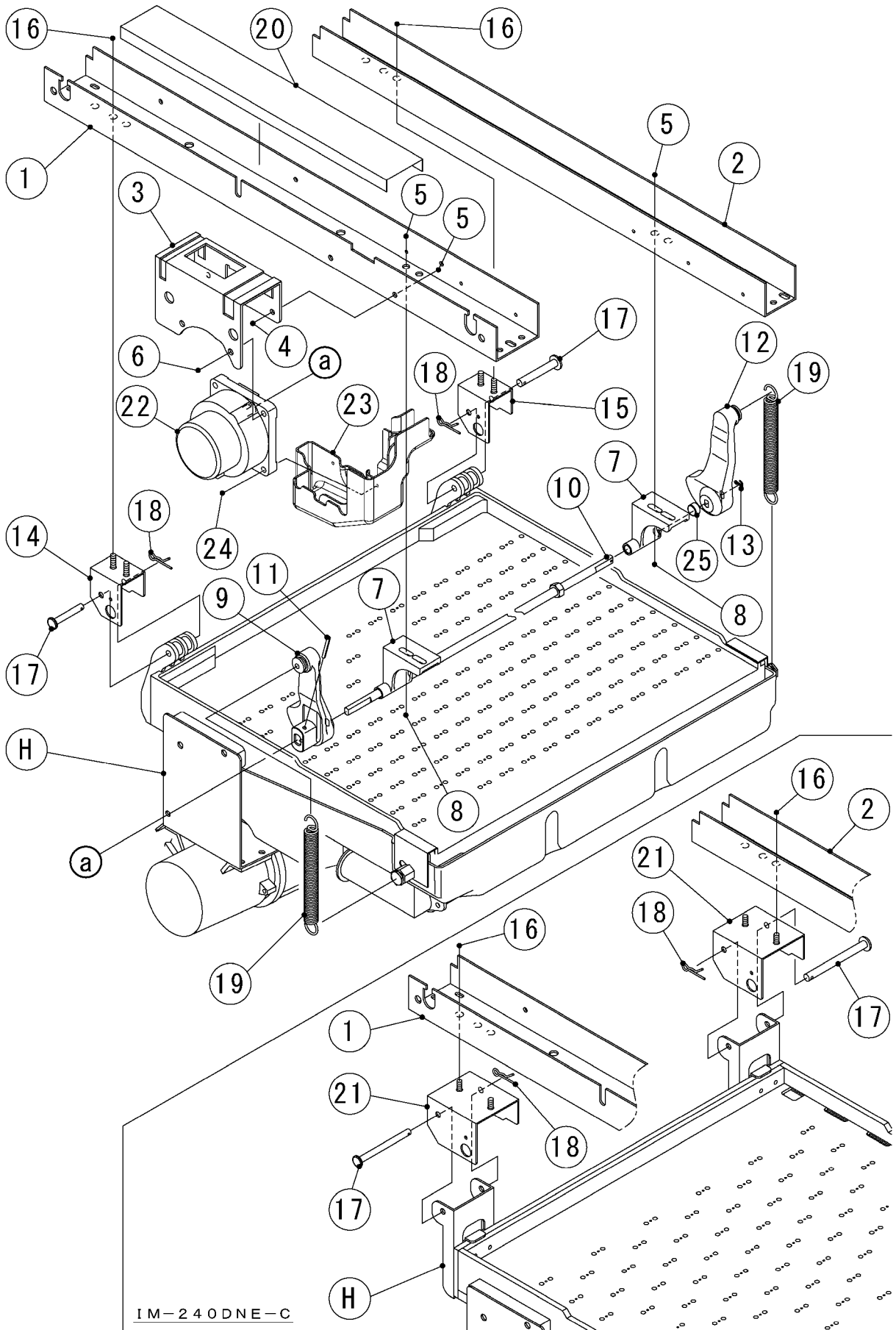
IM-240XNE(-21, -23, -32)

IM-240DSNE(-23)

IM-240XSNE(-23)

C. MECHANISM ASSY

(K-1) and later



HE,GENERAL(50Hz)(60Hz),HSP,AUSTRALIA,CHINA,KOREA(60Hz)

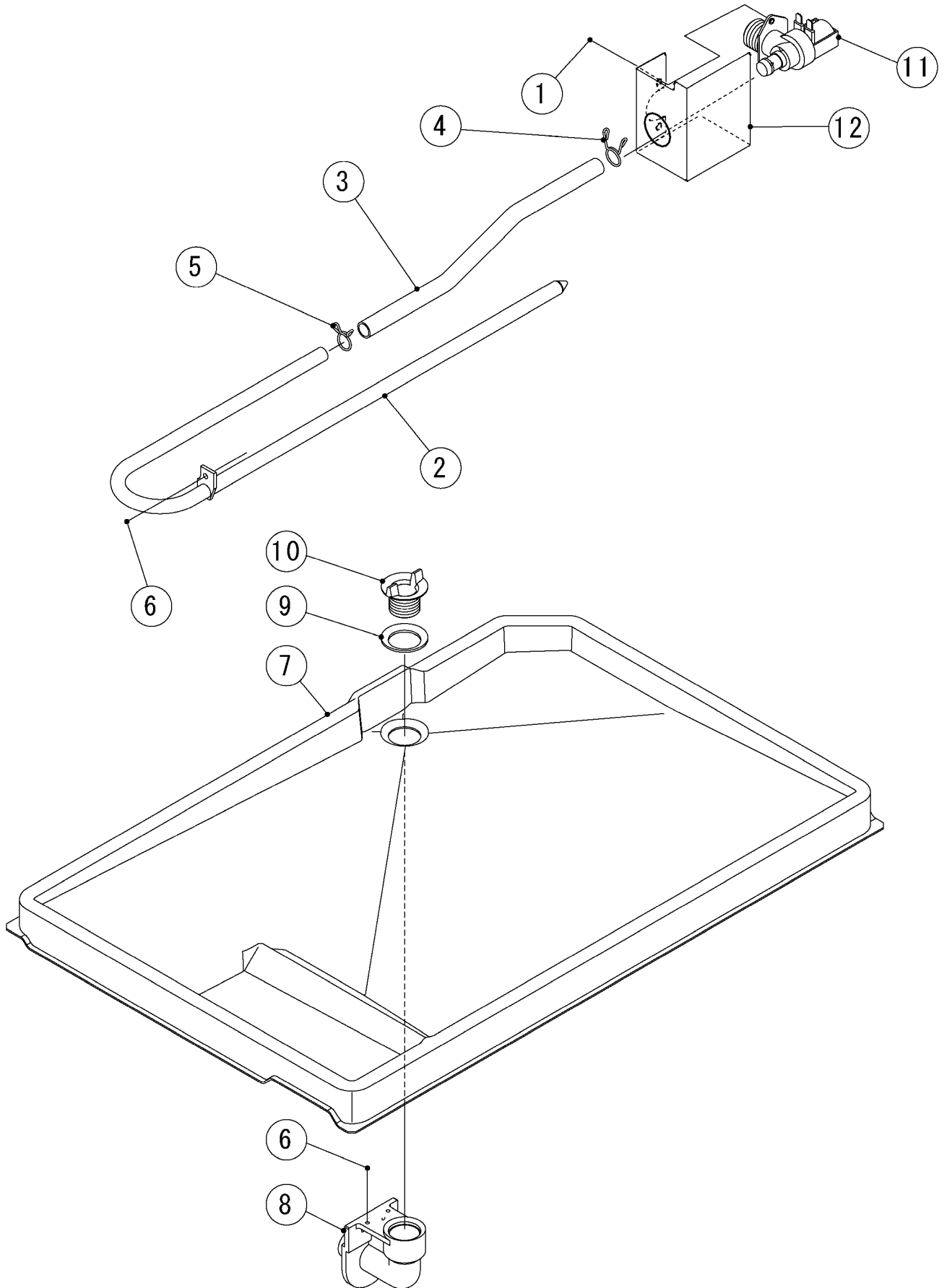
MODEL : IM-240DNE(-C,-21,-23,-32) IM-240XNE(-21,-23,-32) IM-240DSNE(-23) IM-240XSNE(-23)								TITLE : C. MECHANISM ASSY			
INDEX NO.	DESCRIPTION	MATERIAL OR MODEL NUMBER	PART NUMBER	REQ'D NUMBER							
				K-1,A-0 B-0	B-1 B-2	B-3 C-0	C-1 D-0				
H	WATER PAN ASSY	-	1H4689A01	1	1	1	1				
		(240DNE-C)	1H4680A01	1	1	1	1				
1	FRONT FRAME	-	3Y5020M01	1	1	1	1				
2	REAR FRAME	-	3Y5021M01	1	1	1	1				
3	BRACKET - AM	-	3Y2924M01	1	1	1	1				
4	TRUSS HEAD MACHINE SCREW	-	FST0512S0	2	2	2	2				
5	FLANGE NUT	-	FNHF05S0	6	6	6	6				
6	HEX HEAD BOLT (SPRING WASHER AND FLAT WASHER)	-	FBK0620S0	2	2	2	2				
7	BEARING - CAM SHAFT	-	3X8307-02	2	2	2	2				
8	TRUSS HEAD MACHINE SCREW	-	FST0516S0	4	4	4	4				
9	CAM(A)	-	306543G03	1	1	1	1				
10	CAM SHAFT	-	425511G01	1	1	1	1				
11	SPRING PIN 3*28	-	712S-0328	1	1	1	1				
12	CAM (B)	-	376546P01	1	1	1	1				
13	COTTER PIN	-	711S-0212	1	1	1	1				
14	BEARING PLATE	(EXCEPT 240DNE-C)	3H1440G03	1	1	1	1				
15	BEARING PLATE	(EXCEPT 240DNE-C)	3H1440G04	1	1	1	1				
16	FLANGE NUT	-	FNHF06S0	4	4	4	4				
17	SHAFT (B)	-	4H1184-02	2	2	2	2				
	SHAFT (A)	(240DNE-C)	4H1184-01	2	2	2	2				
18	SNAP PIN	-	715S-0006	2	2	2	2				
19	EXTEN SPRING	-	4H3473-01	2	2	2	2				
20	GUIDE - CONNECTOR	-	4H5619-01	1	1	1	1				
21	BEARING - WATER PAN	(240DNE-C)	3Y5036G01	2	2	2	2				
22	ACTUATOR MOTOR	-	P01869-01	1	1	1	1				
23	COVER - ACTUATOR MOTOR	-	1H4881P01	1	1	1	1				
24	T2 TRUSS HEAD SCREW	-	FT20418M0	2	2	2	2				
25	COLLAR	(240DNE-21,-32 240XNE-21,-32)	429124-01	1	1	1	1				

IM-240DNE(-C,-21,-23,-32)

IM-240XNE(-21,-23,-32)

IM-240DSNE(-23)

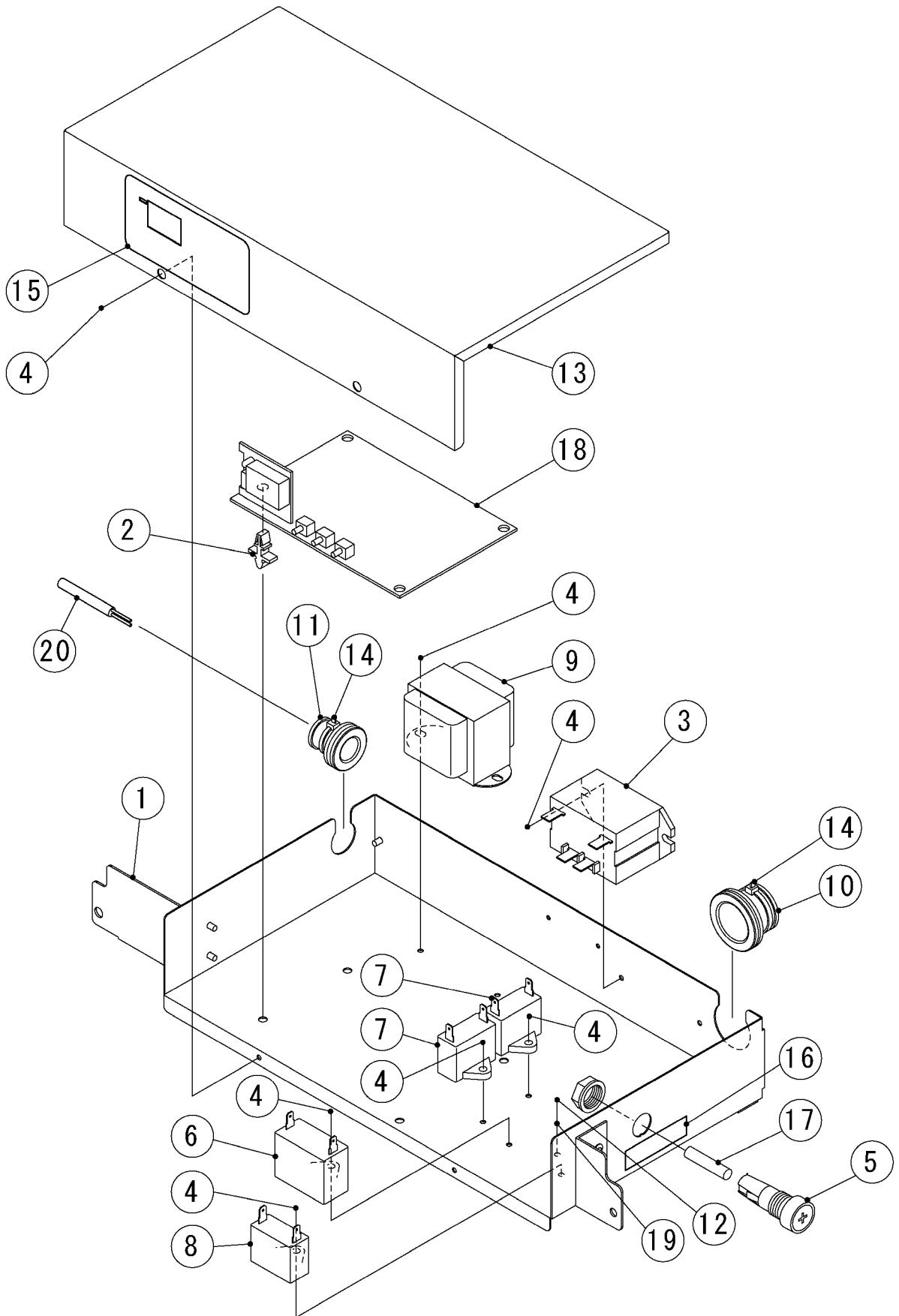
IM-240XSNE(-23) D. WATER CIRCUIT ASSY (K-1) and later



IM-240DNE (-C, -21, -23, -32)
IM-240XNE (-21, -23, -32)

E. CONTROL BOX ASSY

50Hz (K-1) to (B-0)
60Hz (K-1) to (C-0)



IM-240DNE(-C,-21,-23,-32)

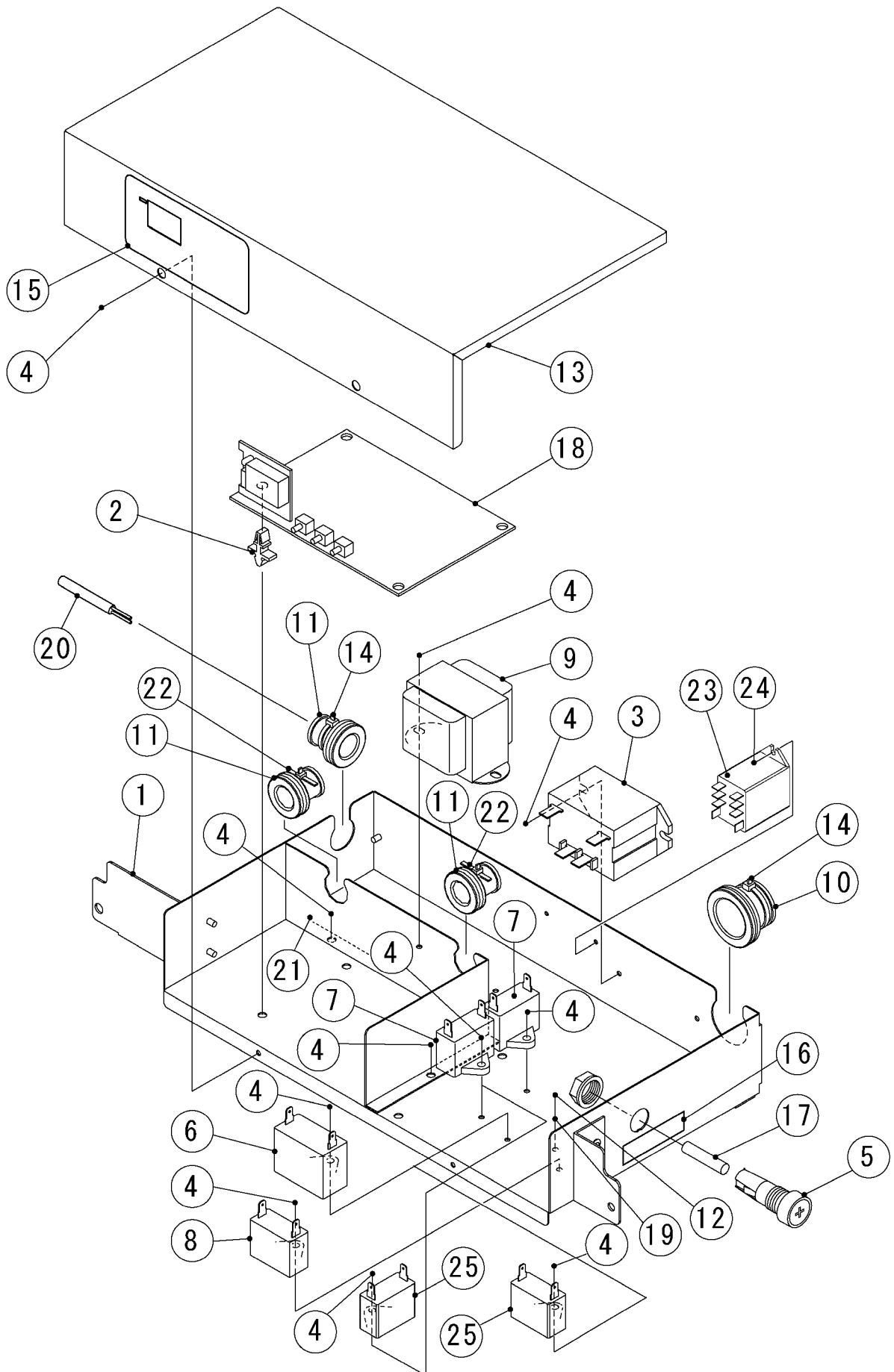
IM-240XNE(-21,-23,-32)

IM-240DSNE(-23)

IM-240XSNE(-23)

(50Hz)(B-1) and later

E. CONTROL BOX ASSY (60Hz)(C-1) and later



HE,GENERAL(50Hz)(60Hz),HSP,AUSTRALIA,CHINA,KOREA(60Hz)

MODEL : IM-240DNE(-C,-21,-23,-32) IM-240XNE(-21,-23,-32) IM-240DSNE(-23) IM-240XSNE(-23)								TITLE : E. CONTROL BOX ASSY			
INDEX NO.	DESCRIPTION	MATERIAL OR MODEL NUMBER	PART NUMBER	REQ'D NUMBER							
				K-1,A-0 B-0	B-1 B-2	B-3 C-0	C-1 D-0				
1	CONTROL BOX G	(50Hz)	3Y5076G01	1	-	-	-				
			3Y6694G01	-	1	-	-				
			3Y7203G01	-	-	1	1				
		(60Hz)	3Y5076G01	1	1	1	-				
			3Y7203G01	-	-	-	1				
2	BOARD SUPPORT	-	414929-02	4	4	4	4				
3	POWER RELAY	-	P00034-01	1	1	1	1				
4	TRUSS HEAD TAPPING SCREW T2	(50Hz)	FT20408F0	10	-	-	-				
				-	12	12	12				
		(60Hz)	FT20408F0	10	10	10	-				
				-	-	-	12				
(240DSNE,-23) (240XSNE,-23)	FT20408F0	-	-	-	11						
5	FUSE HOLDER	(50Hz)	P00014-01	1	1	-	-				
			P02829-01	-	-	1	1				
		(60Hz)	P00014-01	1	1	1	-				
			P02829-01	-	-	-	1				
6	CAPACITOR	EXCEPT (240DSNE,-23) (240XSNE,-23)	P01865-01	1	1	1	1				
7	CAPACITOR	EXCEPT (240DSNE,-23) (240XSNE,-23)	P01870-01	2	2	2	2				
8	CAPACITOR	-	P01910-01	1	1	1	1				
9	TRANSFORMER	-	P02714-01	1	1	1	1				
10	GROMMET	-	4H2568-01	1	1	1	1				
11	GROMMET	(50Hz)	4H2568-02	1	3	3	3				
		(60Hz)		1	1	1	3				
12	TRUSS HEAD TAPPING SCREW (S-TITE)	-	FTS0408M0	1	1	1	1				
13	CONTROL BOX COVER	(50Hz)	3Y5077M01	1	-	-	-				
			3Y6696M01	-	1	1	1				
		(60Hz)	3Y5077M01	1	1	1	-				
			3Y6696M01	-	-	-	1				
14	NYLON TIE	CV-100	7920-0002	2	-	-	-				
15	CONTROL LABEL	-	475006L01	1	1	1	1				
		(KOREA 60Hz)	475641L01	1	1	1	1				
16	LABEL - FUSE	-	466798-01	1	1	1	1				

IM-240DNE(-C,-21,-23,-32)

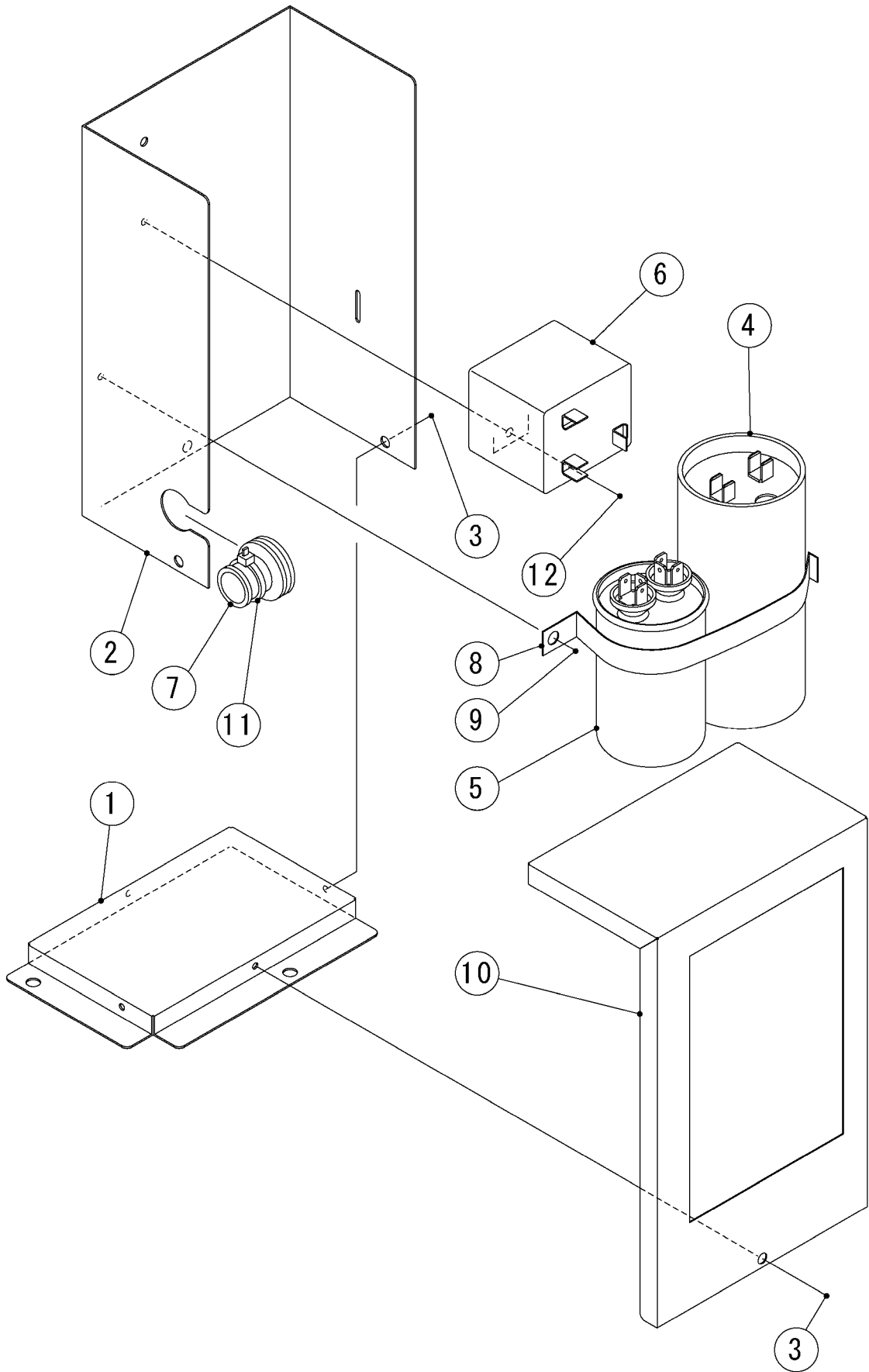
IM-240XNE(-21,-23,-32)

IM-240DSNE(-23)

IM-240XSNE(-23)

F. CONTROL BOX B-ASSY

(K-1) and later



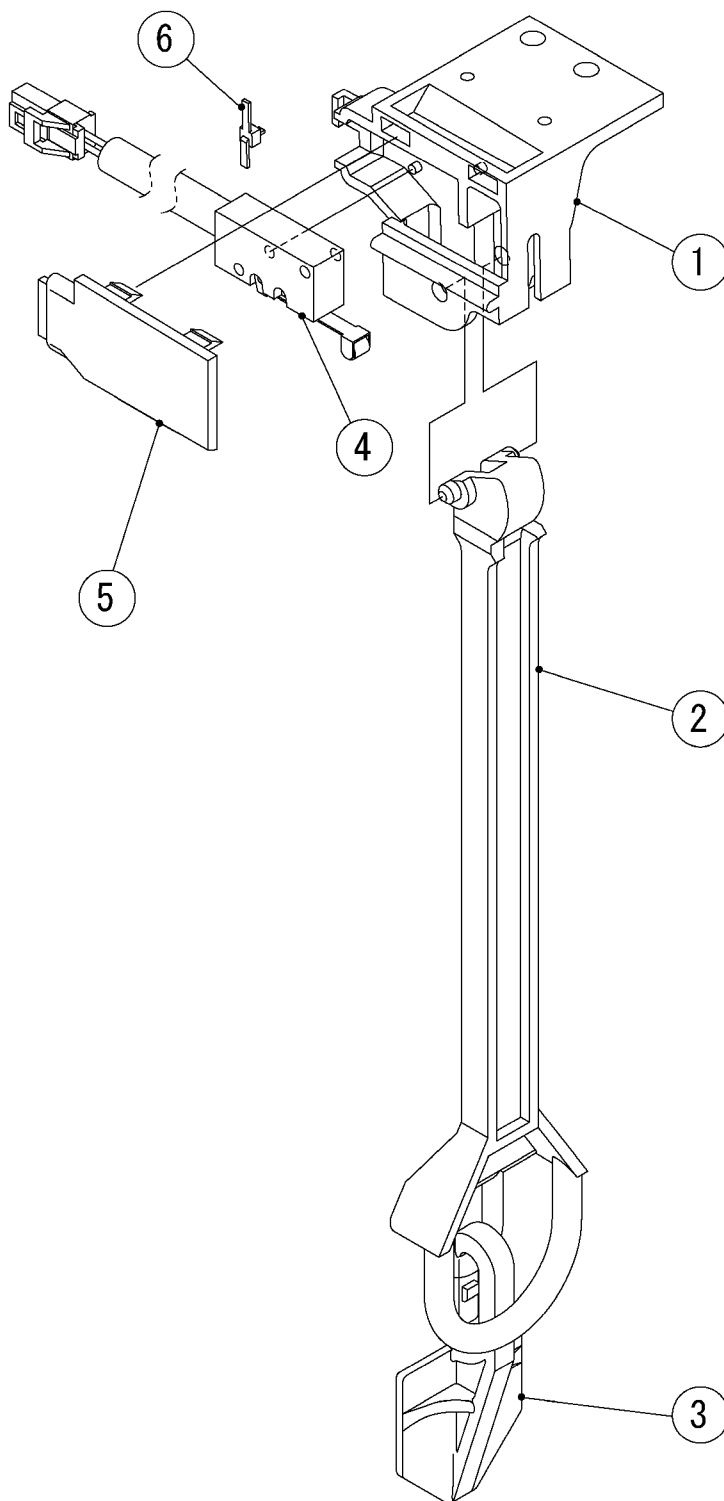
HE,GENERAL(50Hz)(60Hz),HSP,AUSTRALIA,CHINA,KOREA(60Hz)

MODEL : IM-240DNE(-C,-21,-23,-32) IM-240XNE(-21,-23,-32) IM-240DSNE(-23) IM-240XSNE(-23)								TITLE : F. CONTROL BOX B - ASSY			
INDEX NO.	DESCRIPTION	MATERIAL OR MODEL NUMBER	PART NUMBER	REQ'D NUMBER							
				K-1,A-0 B-0	B-1 B-2	B-3 C-0	C-1 D-0				
1	CONTROL BOX B - BASE	(50Hz)	3Y5230M01	1	-	-	-				
		(60Hz)		1	1	1	-				
2	CONTROL BOX B - BODY	(50Hz)	3Y5104M01	1	-	-	-				
		(60Hz)		1	1	1	-				
3	TRUSS HEAD TAPPING SCREW T2	(50Hz)	FT20408F0	4	-	-	-				
		(60Hz)		4	4	4	-				
4	START CAPACITOR	(50Hz)	3A0076-14	1	-	-	-				
	CAPACITOR - STARTING	(60Hz)	3A0076-02	1	1	1	-				
5	RUN CAPACITOR	(50Hz)	3A2005-01	1	-	-	-				
	CAPACITOR-RUN	(60Hz)	3A2005-10	1	1	1	-				
6	STARTER	(50Hz)	4A1107-02	1	-	-	-				
		(60Hz)	4A1107-13	1	1	1	-				
7	GROMMET	(50Hz)	4H2568-02	1	-	-	-				
		(60Hz)		1	1	1	-				
8	BAND	(50Hz)	427254-01	1	-	-	-				
		(60Hz)	427254-13	1	1	1	-				
9	FLANGE BOLT (S-TITE)	(50Hz)	FTR0408M0	1	-	-	-				
		(60Hz)		1	1	1	-				
10	CONTROL BOX COVER B	(50Hz)	3Y5293G01	1	-	-	-				
		(60Hz)		1	1	1	-				
11	NYLON TIE	CV-100 (50Hz)	7920-0002	1	-	-	-				
		CV-100 (60Hz)		1	1	1	-				
12	TRUSS HEAD MACHINE SCREW	(50Hz)	FST0408F0	1	-	-	-				
		(60Hz)		1	1	1	-				

IM-240DNE(-C, -21, -23, -32)
IM-240DSNE(-23)

G. BIN SWITCH ASSY

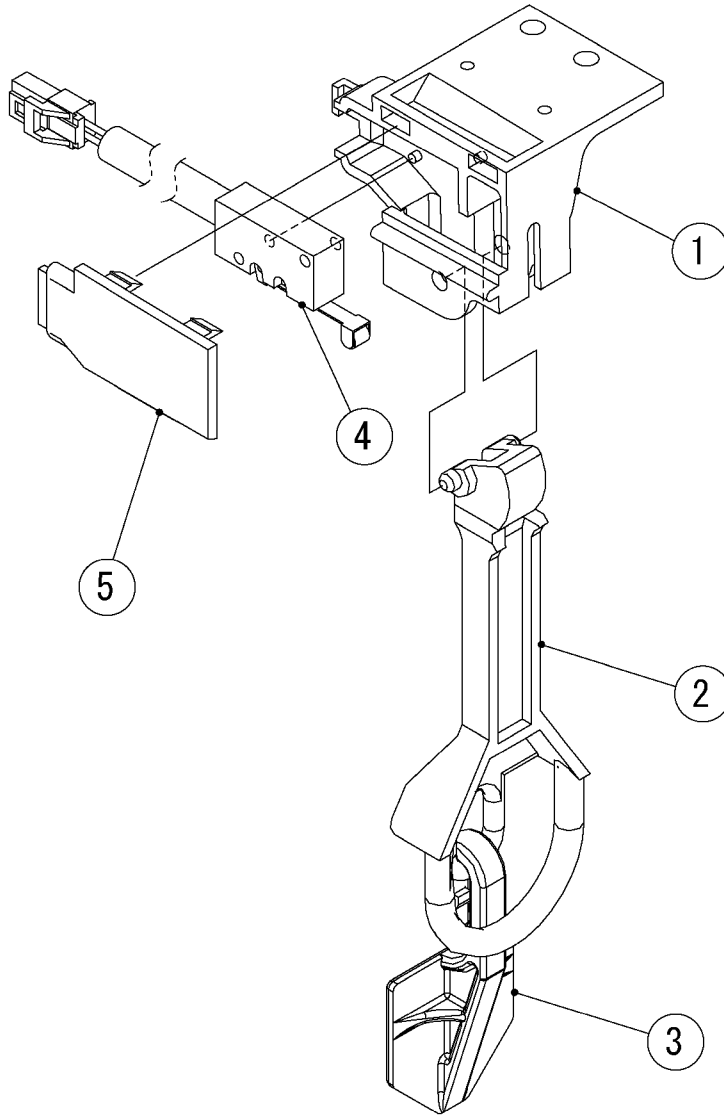
(K-1) and later



IM-240XNE (-21, -23, -32)
IM-240XSNE (-23)

G. BIN SWITCH ASSY

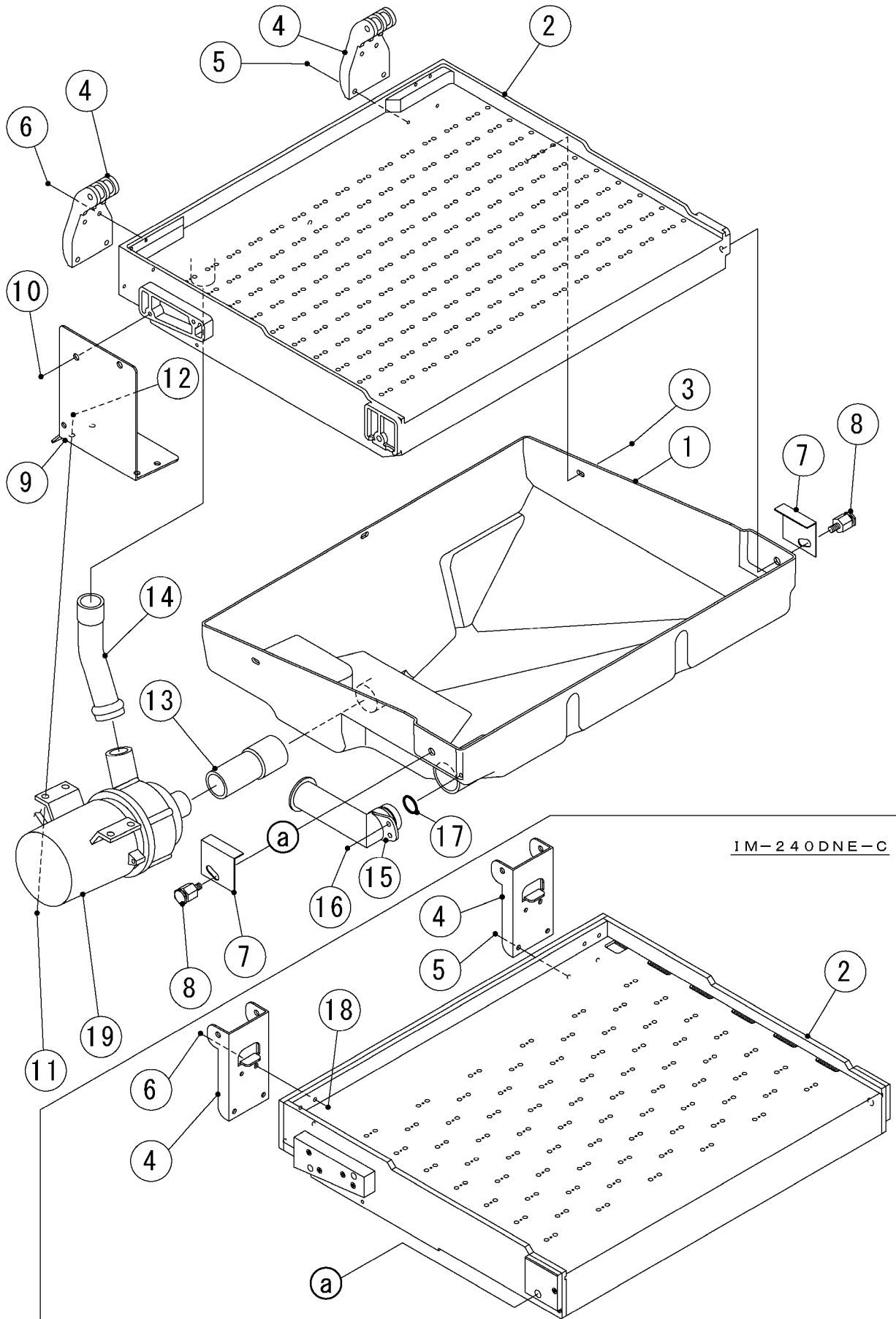
(K-1) and later



IM-240DNE(-C, -21, -23, -32)
 IM-240XNE(-21, -23, -32)
 IM-240DSNE(-23)
 IM-240XSNE(-23)

H.WATER PAN ASSY

(K-1) and later



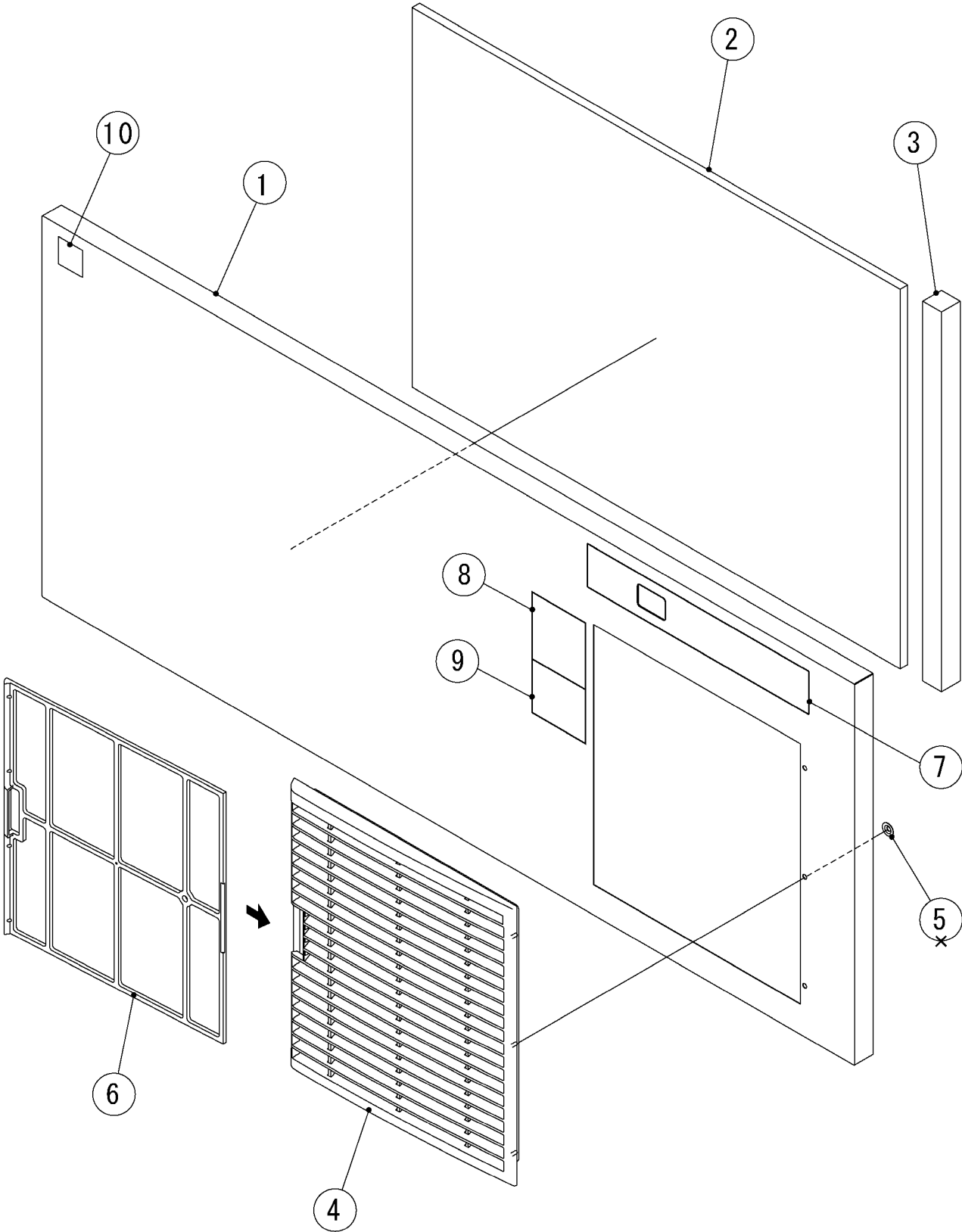
HE,GENERAL(50Hz)(60Hz),HSP,AUSTRALIA,CHINA,KOREA(60Hz)

MODEL : IM-240DNE(-C,-21,-23,-32) IM-240XNE(-21,-23,-32) IM-240DSNE(-23) IM-240XSNE(-23)								TITLE : H. WATER PAN ASSY			
INDEX NO.	DESCRIPTION	MATERIAL OR MODEL NUMBER	PART NUMBER	REQ'D NUMBER							
				K-1,A-0 B-0	B-1 B-2	B-3 C-0	C-1 D-0				
1	WATER PAN	-	1H0888-02	1	1	1	1				
2	WATER PLATE	(240DNE, -23, 240XNE, -23) (240DSNE, -23) (240XSNE, -23)	208020G01	1	1	1	1				
		(240DNE-21, XNE-21)	208484G01	1	1	1	1				
		(240DNE-32, XNE-32)	1H0351G01	1	1	1	1				
		(240DNE-C)	1H4700G01	1	1	1	1				
3	TRUSS HEAD TAPPING SCREW T2	(240DNE, -23 240XNE, -23 240DNE-C) (240DSNE, 23) (240XSNE, -23)	FT20406M0	3	3	3	3				
	TRUSS HEAD MACHINE SCREW	(240DNE-21, -32 240XNE-21, -32)	FST0408S0	3	3	3	3				
4	WATER PAN HANGER	-	3H2059-01	2	2	2	2				
	BRACKET - WATER PAN	(240DNE-C)	4Y6595M01	2	2	2	2				
5	TRUSS HEAD TAPPING SCREW T2	(240DNE, -23, 240XNE, -23) (240DSNE, 23) (240XSNE, -23)	FT20416M0	4	4	4	4				
	TRUSS HEAD MACHINE SCREW	(240DNE-21,-32 240XNE-21,-32 240DNE-C)	FST0420S0	4	4	4	4				
6	TRUSS HEAD TAPPING SCREW T2	(240DNE, -23, 240XNE, -23) (240DSNE, -23) (240XSNE, -23)	FT20425M0	4	4	4	4				
	TRUSS HEAD MACHINE SCREW	(240DNE-21,-32 240XNE-21,-32 240DNE-C)	FST0425S0	4	4	4	4				
7	BRACKET	-	402957-01	2	2	2	2				
8	SCREW SPRING HOOK	-	4H2582G01	2	2	2	2				
9	BRACKET - PUMP	-	4Y6617M01	1	1	1	1				
10	TRUSS HEAD TAPPING SCREW T2	(240DNE, -23, 240XNE, -23) (240DSNE, -23) (240XSNE, -23)	FT20516M0	2	2	2	2				
	TRUSS HEAD MACHINE SCREW	(240DNE-21,-32 240XNE-21,-32 240DNE-C)	FST0516S0	2	2	2	2				
11	HEX HEAD BOLT (SPRING WASHER AND FLAT WASHER)	-	FBK0412S0	4	4	4	4				
12	FLANGE NUT	-	FNHF04S0	4	4	4	4				
13	SUCTION TUBE	-	4Y6641R01	1	1	1	1				
14	DISCHARGE TUBE	-	4Y6642R01	1	1	1	1				
15	PIPE - DRAIN	-	315530-01	1	1	1	1				

IM-240DNE(-C,-21,-23,-32)
IM-240XNE(-21,-23,-32)
IM-240DSNE(-23)
IM-240XSNE(-23)

J. FRONT COVER

(K-1) and later



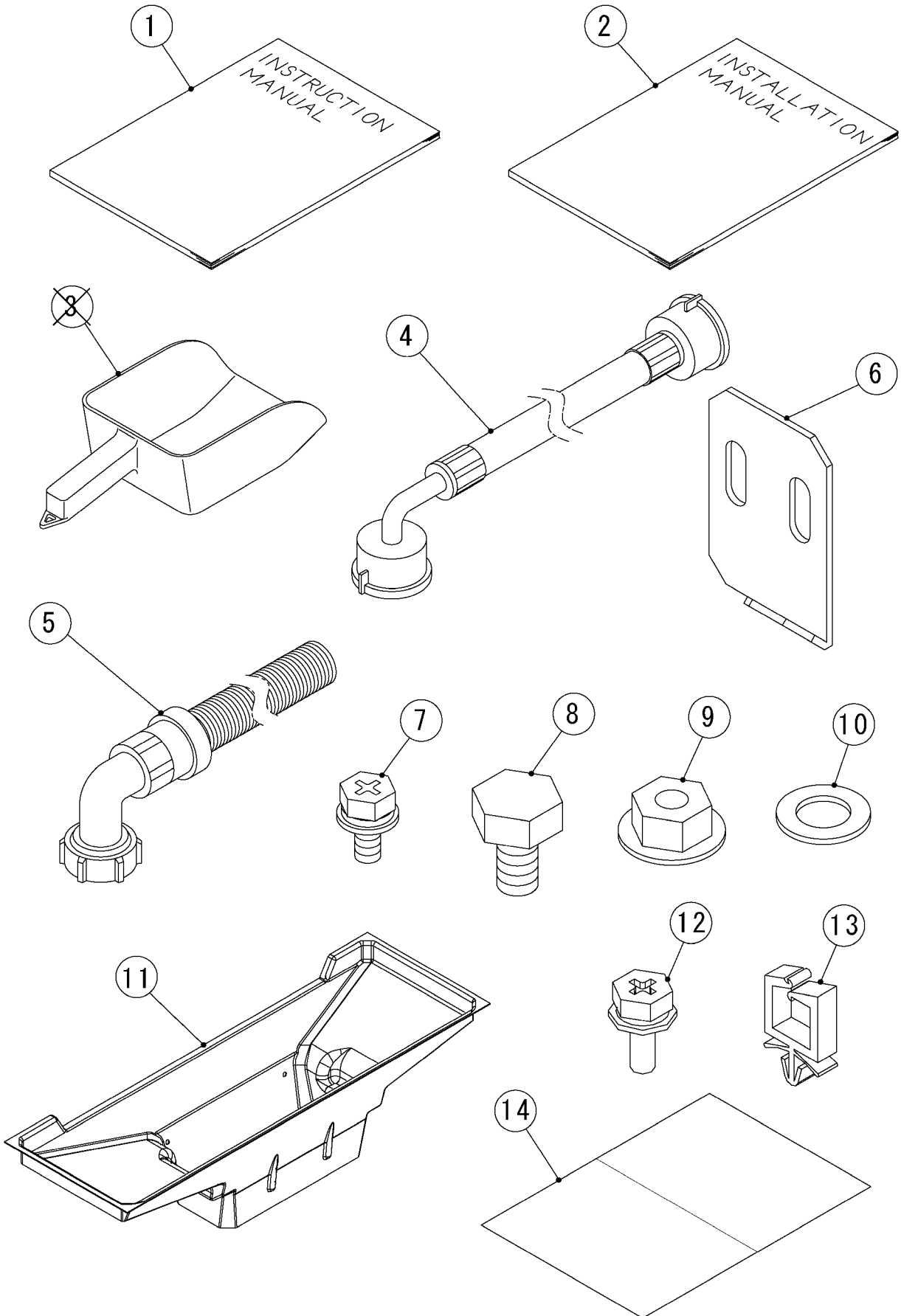
HE,GENERAL(50Hz)(60Hz),HSP,AUSTRALIA,CHINA,KOREA(60Hz)

MODEL : IM-240DNE(-C,-21,-23,-32) IM-240XNE(-21,-23,-32) IM-240DSNE(-23) IM-240XSNE(-23)								TITLE : J. FRONT COVER			
INDEX NO.	DESCRIPTION	MATERIAL OR MODEL NUMBER	PART NUMBER	REQ'D NUMBER							
				K-1,A-0 B-0	B-1 B-2	B-3 C-0	C-1 D-0				
1	FRONT COVER	(50Hz)	2H9948G01	1	-	-	-				
			2X1163G01	-	1	1	1				
		(60Hz)	2H9948G01	1	1	1	-				
			2X1163G01	-	-	-	1				
		(240DSNE,-23) (240XSNE,-23)	2X1167G01	-	-	-	1				
2	INSULATION - FRONT	-	3Y5024P01	1	1	1	1				
3	INSULATION - SEPARATOR F	-	4Y6575P01	1	1	1	1				
4	LOUVER A	(50Hz) (EXCEPT 240DSNE,-23 240XSNE,-23)	1A0547-01	1	-	-	-				
	LOUVER		121931P01	-	1	1	1				
	LOUVER A	(60Hz)	1A0547-01	1	1	1	-				
	LOUVER		121931P01	-	-	-	1				
5	PUSH RETAINER	-	4A2414-01	3	-	-	-				
6	FILTER A	(50Hz) (EXCEPT 240DSNE,-23 240XSNE,-23)	2A2062A01	1	-	-	-				
	AIR FILTER		262259G01	-	1	1	1				
	FILTER A	(60Hz)	2A2062A01	1	1	1	-				
	AIR FILTER		262259G01	-	-	-	1				
7	OPERATION LABEL	(50Hz)	374135L01	1	-	-	-				
			374135L02	-	1	1	1				
		(60Hz)	374135L01	1	1	1	-				
			374135L02	-	-	-	1				
8	CAUTION LABEL	(KOREA 60Hz)	463590-01	1	1	1	1				
9	CAUTION LABEL	(KOREA 60Hz)	463589-01	1	1	1	1				
10	LABEL - HACCP		476519L01	1	1	1	1				

IM-240DNE(-C,-21,-23,-32)
IM-240XNE(-21,-23,-32)
IM-240DSNE(-23)
IM-240XSNE(-23)

K. ACCESSORIES

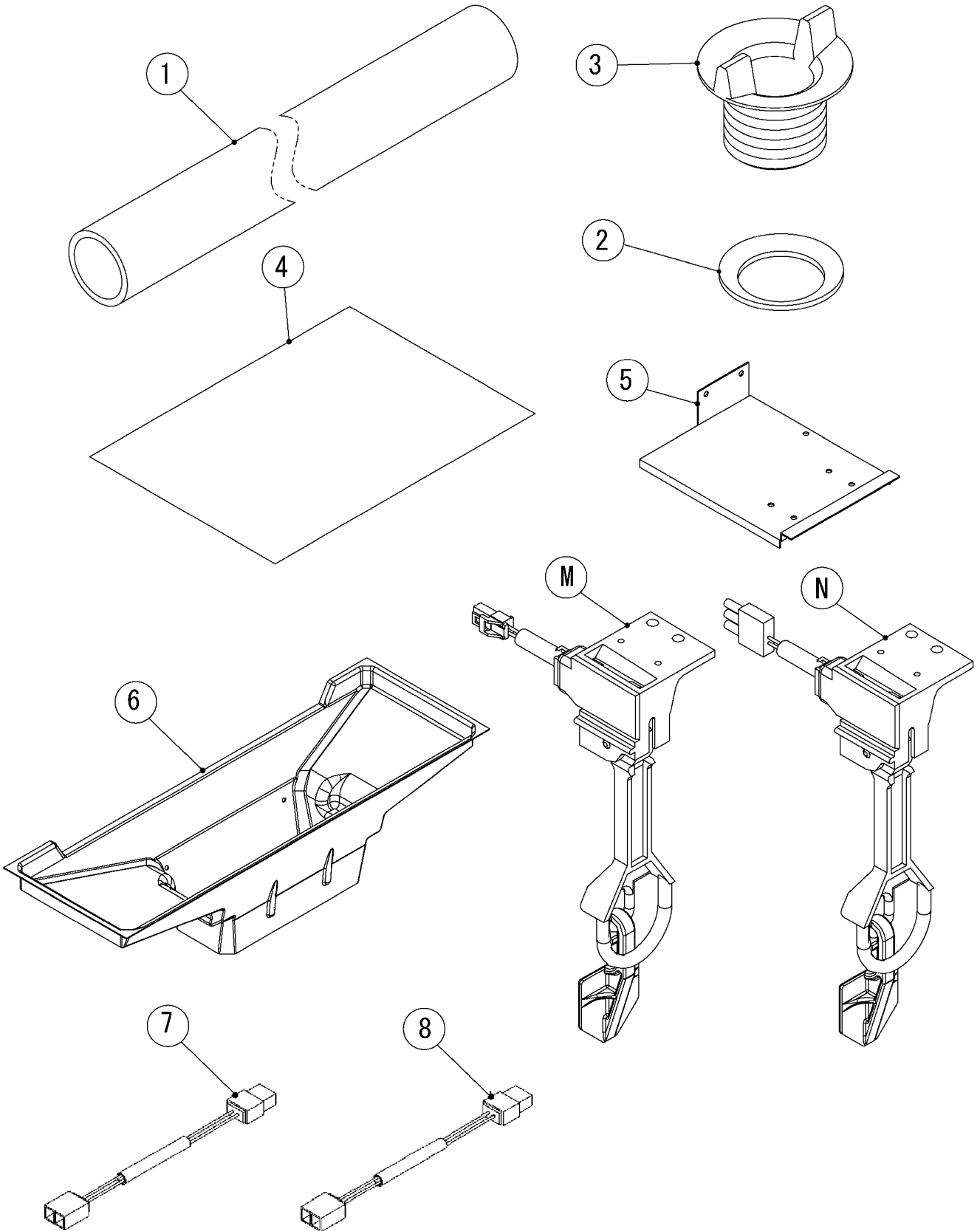
(K-1) and later



IM-240DNE(-C,-21,-23,-32)
IM-240XNE(-21,-23,-32)
IM-240DSNE(-23)
IM-240XSNE(-23)

L.OPTIONAL PARTS

(K-1) and later



IM-240DNE(-C,-21,-23,-32)

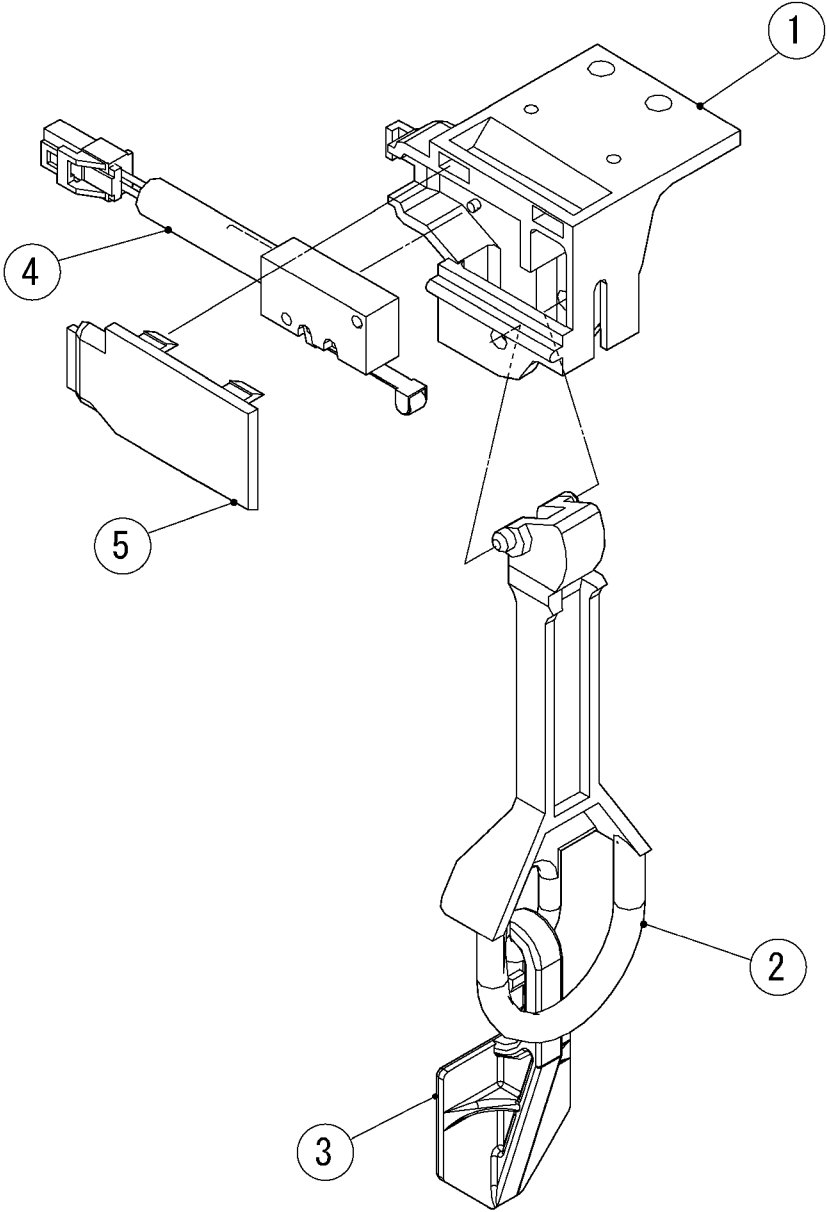
IM-240XNE(-21,-23,-32)

IM-240DSNE(-23)

IM-240XSNE(-23)

M. BIN SWITCH ASSY

(K-1) and later



IM-240DNE(-C,-21,-23,-32)

IM-240XNE(-21,-23,-32)

IM-240DSNE(-23)

IM-240XSNE(-23)

N. BIN SWITCH ASSY

(K-1) and later

