



MODULAR CUBER  
MACHINE A GLACONS CUBIQUES MODULAIRE  
MODULARER WÜRFELEISBEREITER  
IJSBLOKJESMACHINE MET LOSSE OPSLAGBUNKER  
MÁQUINA FABRICADORA DE HIELO MODULAR  
FABBRICATORE CUBETTI DI GHIACCIO MODULARE  
МОДУЛЬНЫЙ ЛЬДОГЕНЕРАТОР КУБИКОВОГО ЛЬДА

## **INSTRUCTION MANUAL**

(original instructions)

## **NOTICE D'UTILISATION**

(instructions traduites)

## **BEDIENUNGSANLEITUNG**

(Übersetzung)

## **GEBRUIKSAANWIJZING**

(vertaalde instructies)

## **MANUAL DE INSTRUCCIONES**

(instrucciones traducidas)

## **MANUALE D'ISTRUZIONI**

(traduzione)

## **РУКОВОДСТВО ПО ЭКСПЛУАТАЦИИ**

(переведенные инструкции)



FOR END USER  
POUR UTILISATEUR  
FÜR DEN ENDKUNDEN  
VOOR DE GEBRUIKER  
PARA USUARIO  
PER L'UTENTE FINALE  
ДЛЯ КОНЕЧНОГО ПОТРЕБИТЕЛЯ

**IM-130ANE-HC**  
**IM-240ANE-HC**  
**IM-240AWNE-HC**

**HOSHIZAKI EUROPE LIMITED**

Telford 70 Stafford Park 7, Telford, Shropshire TF3 3BQ UK

L1E1GA203 (110521)

<b>ENGLISH</b>	IMPORTANT SAFETY INFORMATION .....	1
	I. INSTALLATION INSTRUCTIONS .....	3
	1. CONSTRUCTION .....	3
	2. LOCATION .....	3
	3. ELECTRICAL CONNECTIONS .....	4
	4. WATER SUPPLY AND DRAIN CONNECTIONS .....	4
	II. OPERATING INSTRUCTIONS .....	5
	1. START UP .....	5
	2. PREPARING THE ICEMAKER FOR LONG STORAGE .....	5
	III. MAINTENANCE .....	6
	1. CLEANING .....	6
	2. BEFORE CALLING FOR SERVICE .....	7
	3. DISPOSAL .....	7
	4. WARRANTY .....	8
	SPECIFICATIONS .....	9
<b>FRANCAIS</b>	INFORMATIONS DE SECURITE IMPORTANTES .....	10
	I. CONSIGNES D'INSTALLATION .....	12
	1. CONSTRUCTION .....	12
	2. EMPLACEMENT .....	12
	3. BRANCHEMENTS ELECTRIQUES .....	13
	4. BRANCHEMENTS D'ARRIVEE ET DE VIDANGE D'EAU .....	13
	II. CONSIGNES D'UTILISATION .....	14
	1. MISE EN MARCHÉ .....	14
	2. PREPARATION DU DISTRIBUTEUR DE GLACE EN VUE D'UN ENTREPOSAGE DE LONGUE DUREE .....	14
	III. ENTRETIEN .....	15
	1. NETTOYAGE .....	15
	2. AVANT D'APPELER UN REPARATEUR .....	16
	3. MISE AU REBUT .....	16
	4. GARANTIE .....	17
	SPECIFICATIONS .....	18
<b>DEUTSCH</b>	WICHTIGE SICHERHEITSHINWEISE .....	19
	I. INSTALLATIONSANLEITUNG .....	21
	1. KONSTRUKTION .....	21
	2. AUFSTELLEN .....	21
	3. ELEKTRISCHE ANSCHLÜSSE .....	22
	4. WASSERZULAUF- UND WASSERABLAUFANSCHLÜSSE .....	22
	II. BEDIENUNGSANLEITUNG .....	23
	1. INBETRIEBNAHME .....	23
	2. MASSNAHMEN FÜR DIE LANGFRISTIGE LAGERUNG DES EISSPENDERS .....	23
	III. WARTUNG .....	24
	1. REINIGUNG .....	24
	2. VOR ANRUF DES KUNDENDIENSTES .....	25
	3. ENTSORGUNG .....	26
	4. GEWÄHRLEISTUNG .....	26
	TECHNISCHE DATEN .....	27
<b>NEDERLANDS</b>	BELANGRIJKE VEILIGHEIDSGEGENSTANDEN .....	28
	I. INSTALLATIE-INSTRUCTIES .....	30
	1. CONSTRUCTIE .....	30
	2. PLAATSING .....	30
	3. ELEKTRISCHE AANSLUITINGEN .....	31
	4. AANSLUITING VAN WATERTOEVER- EN WATERAFVOERLEIDINGEN .....	31
	II. BEDIENINGSINSTRUCTIES .....	32
	1. OPSTARTEN .....	32
	2. DE IJSMAKER GEREEDMAKEN VOOR LANGDURIGE OPSLAG .....	32
	III. ONDERHOUD .....	33
	1. REINIGEN .....	33
	2. VOORDAT U BELT VOOR SERVICE .....	34
	3. VERWIJDERING .....	35
	4. GARANTIE .....	35
	SPECIFICATIES .....	36

<b>ESPAÑOL</b>	INFORMACIÓN IMPORTANTE DE SEGURIDAD .....	37
	I. INSTRUCCIONES DE INSTALACIÓN .....	39
	1. CONSTRUCCIÓN .....	39
	2. UBICACIÓN .....	39
	3. CONEXIONES ELÉCTRICAS.....	40
	4. SUMINISTRO DE AGUA Y CONEXIONES DE DRENAJE .....	40
	II. INSTRUCCIONES DE UTILIZACIÓN.....	41
	1. PUESTA EN MARCHA .....	41
	2. PREPARACIÓN DE LA MÁQUINA DE HIELO PARA UN ALMACENAMIENTO PROLONGADO .....	41
	III. MANTENIMIENTO.....	42
	1. LIMPIEZA.....	42
	2. ANTES DE LLAMAR AL SERVICIO TÉCNICO .....	43
	3. ELIMINACIÓN.....	44
	4. GARANTÍA.....	44
	ESPECIFICACIONES.....	45
<b>ITALIANO</b>	INFORMAZIONI IMPORTANTI SULLA SICUREZZA.....	46
	I. ISTRUZIONI PER L'INSTALLAZIONE .....	48
	1. COMPONENTI.....	48
	2. UBICAZIONE .....	48
	3. COLLEGAMENTI ELETTRICI.....	49
	4. COLLEGAMENTO DI ALIMENTAZIONE DELL'ACQUA E COLLEGAMENTO DI SCARICO.....	49
	II. ISTRUZIONI DI FUNZIONAMENTO .....	50
	1. AVVIO .....	50
	2. PREPARATIVI PER LA CONSERVAZIONE A LUNGO TERMINE DELLA MACCHINA .....	50
	III. MANUTENZIONE .....	51
	1. PULIZIA.....	51
	2. PRIMA DI RIVOLGERSI ALL'ASSISTENZA.....	52
	3. SMALTIMENTO .....	53
	4. GARANZIA.....	53
	SPECIFICHE .....	54
<b>РУССКИЙ</b>	ВАЖНЫЕ УКАЗАНИЯ ПО ТЕХНИКЕ БЕЗОПАСНОСТИ .....	55
	I. УКАЗАНИЯ ПО УСТАНОВКЕ.....	57
	1. КОНСТРУКЦИЯ .....	57
	2. РАЗМЕЩЕНИЕ .....	57
	3. ЭЛЕКТРИЧЕСКИЕ СОЕДИНЕНИЯ .....	58
	4. ПОДКЛЮЧЕНИЕ ЛИНИЙ ПОДАЧИ ВОДЫ И СЛИВА .....	58
	II. УКАЗАНИЯ ПО ЭКСПЛУАТАЦИИ.....	59
	1. ЗАПУСК .....	59
	2. ПОДГОТОВКА ГЕНЕРАТОРА ЛЬДА К ДЛИТЕЛЬНОМУ ХРАНЕНИЮ.....	59
	III. ТЕХНИЧЕСКОЕ ОБСЛУЖИВАНИЕ .....	60
	1. ОЧИСТКА .....	60
	2. ПЕРЕД ОБРАЩЕНИЕМ В СЕРВИСНЫЙ ЦЕНТР.....	61
	3. УТИЛИЗАЦИЯ.....	62
	4. ГАРАНТИЙНЫЕ ОБЯЗАТЕЛЬСТВА.....	62
	ТЕХНИЧЕСКИЕ ХАРАКТЕРИСТИКИ.....	63

**IMPORTANT SAFETY INFORMATION**

Throughout this manual, notices appear to bring your attention to situations which could result in death, serious injury, or damage to the unit.

<b>▲WARNING</b>	Indicates a hazardous situation which, if not avoided, could result in death or serious injury.
<b>▲CAUTION</b>	Indicates a hazardous situation which, if not avoided, could result in minor or moderate injury.
<b>NOTICE</b>	Indicates a hazardous situation which, if not avoided, could result in damage to the unit.
<b>▲HYGIENE</b>	Indicates important precautions for hygiene and food safety.
<b>IMPORTANT</b>	Indicates important information about the use and care of the unit.

This icemaker uses HFC-free refrigerant (propane) that is a non-ozone-depleting and environmentally sustainable material having very low global warming potential.

<b>▲WARNING</b>
This icemaker contains flammable refrigerant in its cooling unit; installation, handling, servicing and disposal must therefore only be carried out by authorized technicians.
The refrigerant contained in this icemaker is flammable and sealed in the refrigeration system. Although the refrigerant does not leak out under normal usage, take utmost care when handling this icemaker so as not to cause any damages to the system.
In the case of accidental damage to the refrigeration system causing refrigerant leak: * Do not create a source of ignition in the area. * Do not operate electrical switches or plugs in the area. * Do not use naked flame. * Immediately ventilate the area by opening doors and/or windows. * Call service engineer.

<b>IMPORTANT</b>
This booklet is an integral and essential part of the product and should be kept and preserved by the user.
Please read carefully the guidelines and warnings contained herein as they are intended to provide the user with essential information for the continued safe use and maintenance of the product. In addition, it provides GUIDANCE ONLY to the user on the correct services and site location of the icemaker.
Please preserve this booklet for any further consultation that may be necessary.

## ⚠ WARNING

This is a commercial icemaker, and should be destined only to be used for the purpose for which it has been expressly designed and attached to a suitable storage bin as specified by Hoshizaki.

Any other use should be considered improper and therefore dangerous. The manufacturer will not be held liable or responsible for any damage caused by improper, incorrect and unreasonable use.

**The installation, and relocation if necessary, must be carried out by qualified personnel,** in accordance with current regulations, according to the manufacturer's instructions.

Keep ventilation openings, in the appliance enclosure or in the built-in structure, clear of obstruction.

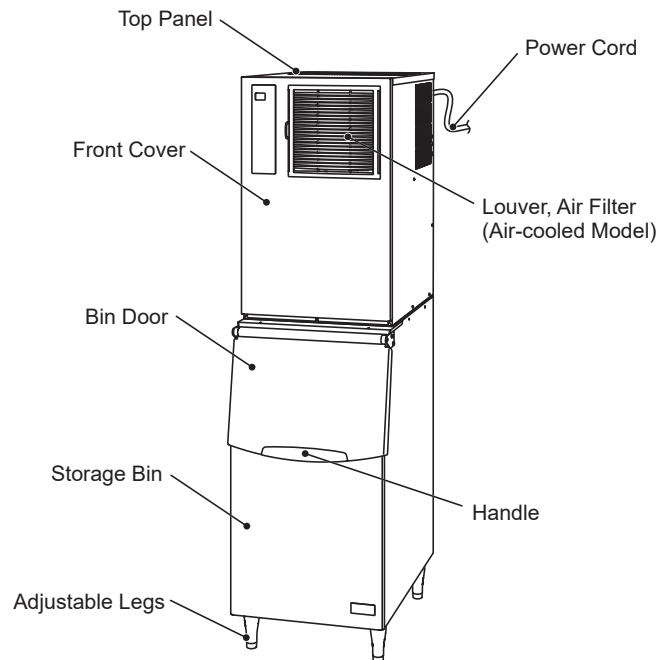
Do not use mechanical devices or other means to accelerate the defrosting process, other than those recommended by the manufacturer.

The use of any electrical appliance involves the observance of some fundamental rules. In particular:

- \* Instances of high humidity and moisture increase the risk of electrical short circuits and potential electrical shocks. If in doubt, disconnect the icemaker.
- \* Do not damage the power cord or pull it in order to disconnect the icemaker from the electrical supply network.
- \* If the supply cord is damaged, it must be replaced by a replacement cord available from Hoshizaki Parts/Service Centres.
- \* Do not touch the electrical parts or operate the switches with damp hands.
- \* This appliance is not intended for use by persons (including children) with reduced physical, sensory or mental capabilities, or lack of experience and knowledge, it can however be used by children aged from 8 years and above and persons with reduced physical, sensory or mental capabilities, or lack of experience and knowledge providing they have been given supervision or instruction concerning use of the appliance by a person responsible for their safety.
- \* Children shall not play with the appliance.
- \* Cleaning and user maintenance shall not be made by children without supervision.
- \* Do not attempt to modify the icemaker. Only qualified personnel may disassemble or repair the appliance.

## I. INSTALLATION INSTRUCTIONS

### 1. CONSTRUCTION



### 2. LOCATION

#### ⚠ WARNING

This icemaker is not intended for outdoor use.

The icemaker should not be located next to ovens, grills or other high heat producing equipment.

This appliance is not suitable for installation in an area where a water jet could be used.

In some high humidity environments, condensation may form inside the machine and drip onto the floor. Do not install where the floor can be affected by water.

#### ⚠ CAUTION

The location should provide a firm and level foundation for the icemaker.

#### NOTICE

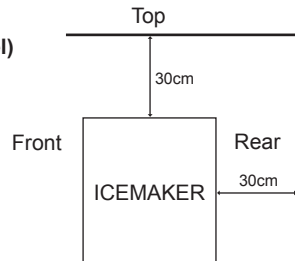
Do not place anything on top of the icemaker or in front of the louver.

#### IMPORTANT

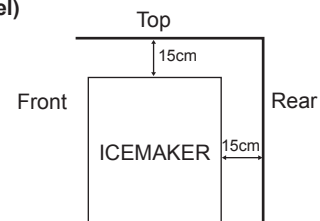
Normal operating ambient temperature should be within 1°C to 40°C. Water connection is cold water only. Operation of the icemaker, for extended periods, outside of these normal temperature ranges may affect production capacity.

Allow the clearance specified below for proper air circulation and ease of maintenance and/or service should they be required.

**Side View  
(Air-cooled model)**



**Side View  
(Water-cooled model)**



Avoid prolonged exposure of the appliance to direct sunlight.

## 3. ELECTRICAL CONNECTIONS

### ⚠ WARNING

#### THIS APPLIANCE MUST BE EARTHED

This icemaker requires an earth that meets the national and local electrical code requirements.

Disconnect the main power supply before any maintenance, repairs or cleaning is undertaken.

\* The main control box fuse is rated at 5A and should only be replaced by a qualified service engineer.

\* Usually an electrical permit and services of a licensed electrician are required.

#### For the U.K. and the Republic of Ireland only

\* The wires in the mains lead are coloured in accordance with the following code:

Green & Yellow = Earth

Blue = Neutral

Brown = Live

As the colours of the wire in the mains lead of this appliance may not correspond with the coloured markings identifying the terminals in your plug, proceed as follows:

The wire which is coloured Green-and-Yellow must be connected to the terminal in the plug which is marked with the letter E or by the symbol  $\perp$  or coloured Green or Green-and-Yellow. The wire which is coloured Blue must be connected to the terminal which is marked with the letter N or coloured Black. The wire which is coloured Brown must be connected to the terminal which is marked with the letter L or coloured Red.

\* Should the socket outlets in the installation site not be suitable for the plug supplied with your product, the plug must be removed (cut off if it is moulded on plug) and an appropriate plug fitted.

If the non-rewirable plug has been cut from the power supply cord, it must be disposed of. There should be no attempt to reuse it. Inserting such a plug into a socket elsewhere presents a serious risk of electrical shock.

\* The non-rewirable plug must never be used without a fuse cover being fitted.

The correct replacement for the detachable fuse cover is identifiable from the manufacturer's reference number stamped on the plug.

Supply of replacement fuse covers can be obtained from Hoshizaki Parts/Service Centres.

Fuses should be rated at 13A and approved to BS 1362.

## 4. WATER SUPPLY AND DRAIN CONNECTIONS

### ⚠ WARNING

Connect to potable cold water supply only.

\* The connections to the mains water supply must be made in accordance with the countries' current requirements of the Water Supply or Water Fittings Regulations.

\* Icemaking water must be potable water. Where scaling can be caused by water quality:

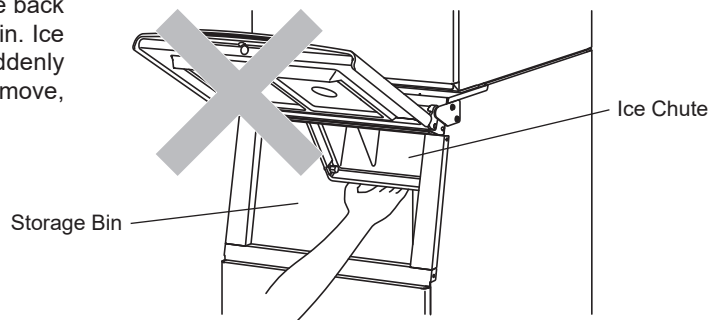
- Installation of an external filter or softener is recommended. Contact your local water treatment professional or Hoshizaki service agent.
- Change to the "full drain flush" mode is recommended. Contact your local Hoshizaki service agent.

\* A plumbing permit and services of a licensed plumber may be required in some areas.

## II. OPERATING INSTRUCTIONS

### ⚠ CAUTION

Do not step into the storage bin, or put your hands into the back of the storage bin or the ice chute on top of the storage bin. Ice may drop off the icemaker, a hard block of ice may suddenly break down, or the icemaking mechanism may suddenly move, resulting in injury.



### NOTICE

All parts are factory-adjusted. Improper adjustments may result in failure.

If the unit is turned off, wait for at least 3 minutes before restarting the icemaker to prevent damage to the compressor.

### ⚠ HYGIENE

This icemaker is designed to produce edible ice. To keep the icemaker hygienic:

- \* Wash your hands before removing ice. Use the plastic scoop provided (accessory).
- \* The storage bin is for ice use only. Do not store anything else in the bin nor use other electrical appliances in the bin.
- \* Clean the storage bin before use (see "III. 1. CLEANING").
- \* Keep the scoop clean. Clean it by using a neutral cleaner and rinse thoroughly.
- \* Close the door after removing ice to prevent entrance of dirt, dust or insects into the storage bin.

## 1. START UP

The installer will normally commission the icemaker to start the automatic icemaking process. To ensure continuous operation, make sure that:

- \* The water supply tap is on, and
- \* The icemaker is connected to the power supply.

## 2. PREPARING THE ICEMAKER FOR LONG STORAGE

### NOTICE

This icemaker will not work at subfreezing temperatures. To prevent damage to the water supply line, drain the icemaker when air temperature is below zero.

### ⚠ HYGIENE

When shutting down the icemaker for two or more days, drain the icemaker to prevent contamination in the water circuit.

- 1) Unplug the icemaker or disconnect the power supply.
- 2) Close the water supply tap, and remove the inlet hose.
- 3) Remove all ice from the storage bin, and clean the bin.
- 4) Ask for draining of the icemaker by professional qualified personnel.



# ENGLISH

## III. MAINTENANCE

### 1. CLEANING

#### ⚠ WARNING

Before carrying out any cleaning or maintenance operations, unplug the icemaker from the electrical supply network.

This appliance must not be cleaned by use of a water jet.

#### ⚠ CAUTION

When using a neutral cleaner or sodium hypochlorite, thoroughly read and understand the instructions provided to prevent potential health problems.

#### NOTICE

Ask a trained service person to clean and sanitise the icemaker water system at least twice a year and to check and clean the condenser at least once a year.

To prevent possible damage, do not clean the plastic parts with water above 40°C or in a dishwasher.

#### [a] Machine and Bin Exterior

Wipe the exterior at least once per week with a clean, soft cloth. Use a damp cloth containing a neutral cleaner to wipe off grease or dirt.

#### [b] Scoop and Storage Bin Handle Cleaning/Sanitisation (Daily)

1) Either mix 1 litre of water with 4 ml of 5.25% sodium hypochlorite solution in a suitable container, or the recommended Hoshizaki sanitiser as directed.

2) Soak the scoop in the solution for more than 3 minutes. Rinse thoroughly, and shake to remove surplus liquid.

Note: Using a cloth to dry may re-contaminate.

3) Use a neutral cleaner to wash the storage bin handle. Rinse thoroughly.

4) Soak a clean cloth with the sanitising solution, and wipe the handle. Use fresh water and a clean cloth to rinse/dry.

#### [c] Storage Bin Interior Cleaning/Sanitisation (Weekly)

1) Open the storage bin door, and remove all ice.

Note: Hoshizaki recommends various types of storage bin for the icemaker which vary in size and design. The following instructions are therefore for general guidance only.

2) Remove the thumbscrews securing the baffle.

3) Remove the baffle from the bin.

4) Wash the bin liner and baffle with a neutral non-abrasive cleaner. Rinse thoroughly.

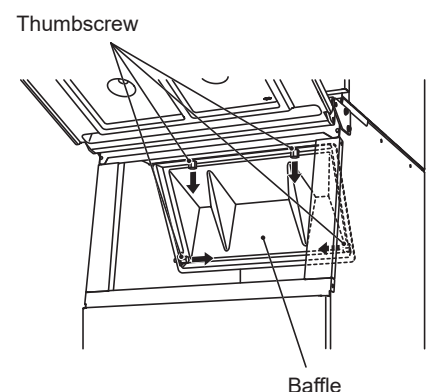
5) Either mix 5 litres of water with 18 ml of 5.25% sodium hypochlorite solution in a suitable container, or the recommended Hoshizaki sanitiser as directed.

6) Soak a clean sponge or cloth with the solution, and wipe the bin liner surfaces and baffle.

7) Refit the baffle and thumbscrews. Wipe the surface of the bin door and thumbscrews with the solution. Close the bin door.

8) The remaining solution can be used to sanitise utensils.

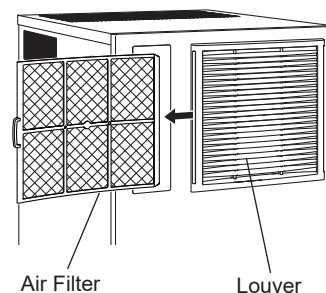
Note: Do not wipe dry or rinse after sanitising, but allow to air dry.



## [d] Air Filter (Air-Cooled Model Only)

Plastic mesh air filters remove dirt or dust from the air, and keep the condenser from getting clogged. If the filters get clogged, the icemaker's performance will be reduced. Remove and clean the air filter(s) at least twice per month:

- 1) Slide the air filter off the louver.
- 2) Clean the air filter by using a vacuum cleaner. When severely clogged, use warm water and a neutral cleaner to wash the air filter.
- 3) Rinse and dry the air filter thoroughly.



### NOTICE

After cleaning, be sure to place the air filter back in position.

## 2. BEFORE CALLING FOR SERVICE

### ⚠ WARNING

Do not damage the refrigerant circuit.

### [a] Error Code Indication

If the error code "E" is indicated on the display, before calling for service, check the following.

Code	Remedy
<b>E1</b>	Freeze error. Unplug unit and plug it back in after 3 minutes. Clean air filter (air-cooled model). Lower ambient temperature or ensure adequate clearance around unit (see "I. 2. LOCATION"). If error persists, call for service.
<b>E2</b>	Defrost error. Unplug unit and plug it back in after 3 minutes. If error persists, call for service.
<b>EE</b>	Other error. Unplug unit and plug it back in after 3 minutes. Clean air filter (air-cooled model). Check for water failure or closed water supply tap. Lower ambient temperature or ensure adequate clearance around unit (see "I. 2. LOCATION"). If error persists, call for service.
<b>EF</b>	Possible gas leak. Do not touch the unit. Ventilate the area and immediately call for service.

### [b] No Error Code Indication

If the icemaker does not work properly or does not work at all and no error code is indicated on the display, before calling for service, check that:

- \* The power is supplied to the unit.
- \* The water is turned on.
- \* The air filter is clean (air-cooled model).
- \* The cooling water circuit has a proper flow (water-cooled model).

For further assistance or advice, contact your local Hoshizaki service agent.

### [c] Alarm Code Indication

If the alarm code A1 or A2 appears, the gas sensor may be defective. Contact your local Hoshizaki service agent.

## 3. DISPOSAL

Comply with local regulations regarding disposal of this appliance and its refrigerant gas. Before you scrap the appliance, take off the door to prevent children trapped.

Correct disposal of this product:

This marking indicates that this product should not be disposed with other household wastes throughout the EU. To prevent possible harm to the environment or human health from uncontrolled waste disposal, recycle it responsibly to promote the sustainable reuse of material resources. To return your used device, use the return and collection systems or contact the retailer where the product was purchased. They can take this product for environmental safe recycling.



# ENGLISH

---

## 4. WARRANTY

Hoshizaki warrants to the original owner/user that all Hoshizaki branded products shall be free of defects in material and/or workmanship for the duration of the “warranty period”. The warranty shall be effective for two years from the date of installation. Hoshizaki’s liability under the terms of the warranty are limited and shall exclude routine servicing, cleaning, essential maintenance and/or repairs occasioned by misuse and installations not in accordance with Hoshizaki guidelines.

Warranty repairs should be completed by an approved Hoshizaki dealer or service agency using genuine Hoshizaki components.

To obtain full details of your warranty and approved service agency, please contact your dealer/supplier, or the nearest Hoshizaki Service office:

### Europe, Middle East, Africa

Hoshizaki UK - UK, Ireland  
TEL: +44 845 456 0585  
FAX: +44 132 283 8331  
uksales@hoshizaki.uk

Hoshizaki Middle East - Middle East  
TEL: +971 48 876 612  
FAX: +971 48 876 613  
sales@hoshizaki.ae

Hoshizaki Deutschland - Germany, Switzerland, Austria,  
Poland, Czech Republic, Slovakia  
TEL: +49 5121 697370  
FAX: +49 5121 6973719  
vertrieb@hoshizaki.de

Hoshizaki Benelux - Netherlands, Belgium, Luxembourg  
TEL: +31 85 018 83 70  
info@hoshizaki.nl

Hoshizaki France - France  
TEL: +33 1 48 63 93 80  
FAX: +33 1 48 63 93 88  
info@hoshizaki.fr

Hoshizaki Italia - Italy  
TEL: +39 344 0616467  
TEL: +39 348 3022156  
info@hoshizaki.it

Hoshizaki Iberia - Spain, Portugal  
TEL: +34 93 478 09 52  
FAX: +34 93 478 08 00  
info@hoshizaki.es

Hoshizaki Europe B.V. - all other countries within Europe and  
Africa  
TEL: +31 20 6918499  
FAX: +31 20 6918768  
sales@hoshizaki.nl

### Asia, Oceania

Hoshizaki Singapore  
TEL: +65 6225 2612  
FAX: +65 6225 3219  
sales@hoshizaki.com.sg (Sales)  
serviceadmin@hoshizaki.com.sg (Technical support)

Hoshizaki Hong Kong  
TEL: +852 2866-2108  
FAX: +852 2866-2109

Hoshizaki Taiwan  
TEL: +886 2 2706 8818  
FAX: +886 2 2708 7999

Hoshizaki Lancer  
TEL: +61 8 8268 1388  
FAX: +61 8 8268 1978

## SPECIFICATIONS

Model	IM-130ANE-HC	IM-240ANE-HC
Type	Air-cooled, cube ice	Air-cooled, cube ice
Power Supply	1 phase 220 - 240V 50Hz	1 phase 220 - 240V 50Hz
Electric Consumption	635W	930W
Ice Production per 24h	110kg (5mm) / 125kg (15mm) (ambient temp 10°C, water temp 10°C)	195kg (5mm) / 210kg (15mm) (ambient temp 10°C, water temp 10°C)
Dimensions	560mm(W) x 700mm(D) x 880mm(H)	560mm(W) x 700mm(D) x 880mm(H)
Refrigerant	R290, 110g	R290, 147g
Insulation Foam Blowing Agent	N/A	N/A
Weight	Net: 68kg (Gross: 79kg)	Net: 78kg (Gross: 89kg)
Ambient Temp	1 - 40°C	1 - 40°C
Water Supply Temp	5 - 35°C	5 - 35°C
Water Supply Pressure	0.07 - 0.78 MPa (0.7 - 8 bar)	0.07 - 0.78 MPa (0.7 - 8 bar)
Voltage Range	Rated voltage ± 6%	Rated voltage ± 6%

Model	IM-240AWNE-HC
Type	Water-cooled, cube ice
Power Supply	1 phase 220 - 240V 50Hz
Electric Consumption	800W
Ice Production per 24h	190kg (5mm) / 205kg (15mm) (ambient temp 10°C, water temp 10°C)
Dimensions	560mm(W) x 700mm(D) x 880mm(H)
Refrigerant	R290, 147g
Insulation Foam Blowing Agent	N/A
Weight	Net: 83kg (Gross: 95kg)
Ambient Temp	1 - 40°C
Water Supply Temp	5 - 35°C
Water Supply Pressure	0.07 - 0.78 MPa (0.7 - 8 bar)
Voltage Range	Rated voltage ± 6%

Note: The above specifications are for the representative models.

## INFORMATIONS DE SECURITE IMPORTANTES

Tout au long de ce manuel, des avis attirent votre attention sur des situations qui pourraient entraîner la mort, des blessures graves ou des dégâts à l'appareil.

<b>▲AVERTISSEMENT</b>	Signale une situation dangereuse qui, si elle n'est pas évitée, peut entraîner des blessures graves voire mortelles.
<b>▲ATTENTION</b>	Signale une situation dangereuse qui, si elle n'est pas évitée, peut entraîner des blessures mineures ou modérées.
<b>AVIS</b>	Signale une situation dangereuse qui, si elle n'est pas évitée, peut entraîner des dégâts à l'appareil.
<b>▲HYGIENE</b>	Signale des précautions importantes à prendre en matière d'hygiène et de sécurité alimentaire.
<b>IMPORTANT</b>	Signale des informations importantes sur l'utilisation de l'appareil et son entretien.

La machine à glace emploie du fluide frigorigène exempt de HFC (propane), une substance non nocive pour la couche d'ozone et durable qui a très peu d'impact sur le réchauffement mondial.

<b>▲AVERTISSEMENT</b>
L'unité de refroidissement de la machine à glace contenant des fluides frigorigènes inflammables, son installation, sa manipulation, son entretien et sa mise au rebut ne doivent être réalisés que par des techniciens agréés.
Le fluide frigorigène de cette machine à glace est inflammable et est enfermé dans le système de réfrigération. Bien que le fluide frigorigène ne présente aucun risque de fuite dans des conditions d'utilisation normales, manipulez la machine à glace avec la plus grande précaution afin d'éviter d'endommager le système.
En cas de fuite de fluide frigorigène résultant d'un dommage accidentel au système de réfrigération : <ul style="list-style-type: none"> <li>* Interdire toute étincelle ou corps incandescent dans le voisinage.</li> <li>* N'utiliser aucun interrupteur ni prise électrique dans le voisinage.</li> <li>* Ne pas utiliser de flamme nue.</li> <li>* Ventiler immédiatement la pièce en ouvrant les portes et/ou fenêtres.</li> <li>* Appeler un technicien de réparation.</li> </ul>

<b>IMPORTANT</b>
Ce livret est un élément essentiel qui fait partie intégrante du produit et il doit être conservé soigneusement par l'utilisateur.
Veillez lire attentivement les conseils et avertissements qu'il contient car ils ont pour but de fournir à l'utilisateur des informations essentielles pour la bonne utilisation et l'entretien correct du produit. En outre, il fournit à l'utilisateur des INDICATIONS sur les utilisations et les emplacements corrects de la machine à glace.
Veillez conserver précieusement ce livret pour toute référence ultérieure.

## ▲AVERTISSEMENT

Cette machine à glace a été conçue pour des applications commerciales ; elle ne peut être utilisée qu'aux fins auxquelles elle est expressément destinée, et fournie avec un bac de stockage adapté tel que spécifié par Hoshizaki.

Toute autre utilisation doit être considérée comme inappropriée et donc dangereuse. Le fabricant décline toute responsabilité pour les dégâts provoqués par une utilisation inappropriée, incorrecte et abusive.

**L'installation, et le transfert le cas échéant, doivent être effectués par un personnel qualifié**, conformément aux réglementations en vigueur et aux consignes du fabricant.

Veillez à ce que les ouvertures de ventilation de l'enceinte de l'appareil et de la structure intégrée ne soient pas obstruées.

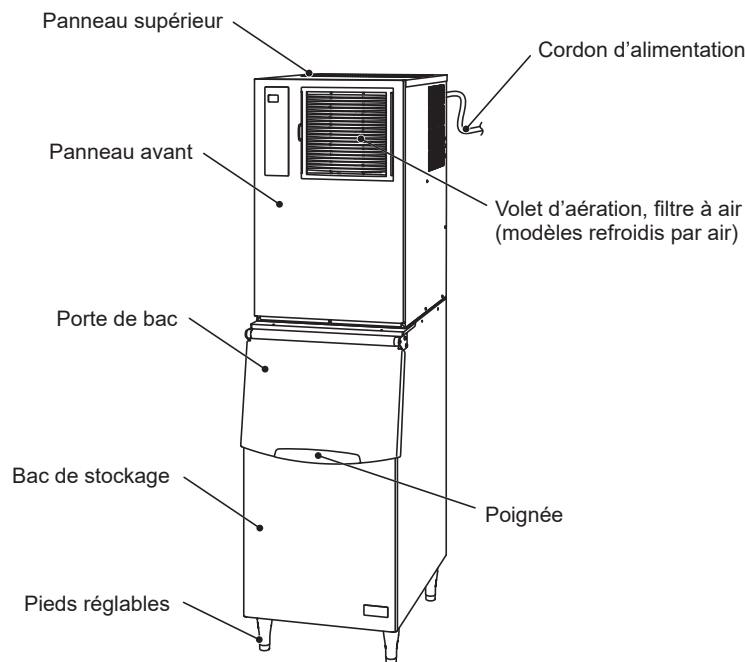
Pour accélérer le processus de décongélation, ne pas utiliser d'équipements mécaniques ni des méthodes autres que celles recommandées par le fabricant.

L'utilisation de tout appareil électrique implique le respect de certaines règles fondamentales. En particulier :

- \* En cas de forte humidité, les risques de court-circuit et d'électrocution augmentent. En cas de doute, débrancher la machine à glace.
- \* Ne pas endommager le cordon d'alimentation et ne pas tirer sur le cordon d'alimentation pour débrancher la machine à glace.
- \* Si le cordon d'alimentation est endommagé, il doit être remplacé par un cordon de rechange disponible auprès des centres de pièces détachées et d'entretien Hoshizaki.
- \* Ne pas toucher les pièces électriques ou les commutateurs avec les mains humides.
- \* Cette machine n'est pas prévue pour une utilisation par des personnes (y compris des enfants) aux capacités physiques, sensorielles ou mentales réduites, ou manquant d'expérience ou de connaissances. Elle peut cependant être utilisée par des enfants d'au moins 8 ans et des personnes aux capacités physiques, sensorielles ou mentales réduites, ou manquant d'expérience ou de connaissances, si une personne responsable de leur sécurité les surveille ou leur a indiqué les consignes d'utilisation de la machine.
- \* Les enfants ne doivent pas jouer avec la machine.
- \* Le nettoyage et l'entretien régulier ne doivent pas être effectués par des enfants sans surveillance.
- \* Ne pas tenter de modifier la machine à glace. Cet appareil ne peut être démonté ou réparé que par du personnel qualifié.

## I. CONSIGNES D'INSTALLATION

### 1. CONSTRUCTION



### 2. EMPLACEMENT

#### ⚠ AVERTISSEMENT

Cette machine à glace n'est pas conçue pour être utilisée à l'extérieur.

La machine à glace ne doit pas être placée à proximité de fours, de grills ou de toute autre source de chaleur importante.

Cet appareil n'est pas conçu pour être installé dans une zone où un jet d'eau peut être utilisé.

Dans certains environnements très humides, de la condensation peut se former à l'intérieur de la machine et couler sur le sol. Ne pas installer l'appareil sur un sol que l'eau pourrait endommager.

#### ⚠ ATTENTION

La machine à glace doit avoir une assise solide et horizontale.

#### AVIS

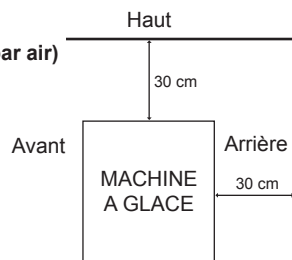
Ne rien poser sur le dessus de la machine ni devant le volet d'aération.

#### IMPORTANT

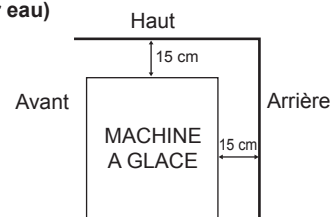
La température ambiante normale de service doit être comprise entre 1 °C et 40 °C. Le raccordement à l'eau est uniquement pour de l'eau froide. Le fonctionnement de la machine en dehors de ces plages de températures, pendant des durées prolongées, risque d'affecter la capacité de production de glaçons.

Pour assurer une bonne circulation d'air et faciliter les opérations de maintenance ou d'entretien, prévoir le dégagement indiqué ci-dessous.

#### Vue latérale (Modèle refroidi par air)



#### Vue latérale (Modèle refroidi par eau)



Éviter toute exposition prolongée de l'appareil à la lumière directe du soleil.

## 3. BRANCHEMENTS ELECTRIQUES

### ⚠ AVERTISSEMENT

#### CET APPAREIL DOIT ETRE MIS A LA TERRE

Cette machine à glace doit avoir une mise à la terre qui respecte les réglementations électriques nationales et locales.

Avant toute opération de maintenance, réparation ou nettoyage, débrancher l'alimentation électrique.

\* Le fusible du boîtier de commande principal est étalonné à 5 A et ne doit être remplacé que par un technicien d'entretien qualifié.

\* En général, l'installation nécessite une autorisation pour travaux électriques et les services d'un électricien qualifié.

#### Pour le Royaume-Uni et la République d'Irlande uniquement

\* Les fils du cordon d'alimentation électrique présentent le codage couleur suivant :

Vert et jaune = Terre

Bleu = Neutre

Marron = Sous tension

La couleur des conducteurs du cordon d'alimentation de cet appareil peut ne pas correspondre au marquage couleur des bornes de votre fiche ; dans ce cas, procéder comme suit :

Le fil vert et jaune doit être relié à la borne de la fiche repérée par la lettre E ou par le symbole  $\perp$  ou la couleur verte ou verte et jaune. Le conducteur bleu doit être raccordé à la borne portant la lettre N ou de couleur noire. Le conducteur marron doit être raccordé à la borne portant la lettre L ou de couleur rouge.

\* Si la fiche livrée avec la machine ne convient pas aux prises du local d'installation, l'enlever (la couper s'il s'agit d'une fiche moulée) et en monter une autre.

Une fiche non recâblable enlevée doit être jetée. Elle ne peut en aucun cas être réutilisée. L'insertion de ce type de fiche dans une autre prise présente des risques graves de décharges électriques.

\* La fiche non recâblable ne doit jamais être utilisée sans un protège-fusible.

Le numéro de référence du protège-fusible amovible est imprimé sur la fiche. Utiliser cette référence pour toute commande de pièce.

Il est possible de se procurer des protège-fusibles de remplacement auprès des centres de pièces détachées et d'entretien Hoshizaki.

La capacité nominale des fusibles doit être de 13 A ; ils doivent être agréés selon la norme BS 1362.

## 4. BRANCHEMENTS D'ARRIVEE ET DE VIDANGE D'EAU

### ⚠ AVERTISSEMENT

Raccorder à l'arrivée d'eau potable froide uniquement.

\* Les raccordements à l'alimentation en eau du réseau doivent être réalisés conformément aux exigences nationales en vigueur des réglementations sur l'alimentation en eau ou les raccords.

\* L'eau utilisée pour fabriquer la glace doit être de l'eau potable. Lorsque la qualité de l'eau peut entraîner la formation d'un dépôt calcaire :

- L'installation d'un filtre externe ou d'un adoucisseur est recommandée. Contacter le spécialiste en traitement de l'eau ou le réparateur Hoshizaki le plus proche.
- Le passage en mode « vidange complète » est recommandé. Contacter le réparateur Hoshizaki le plus proche.

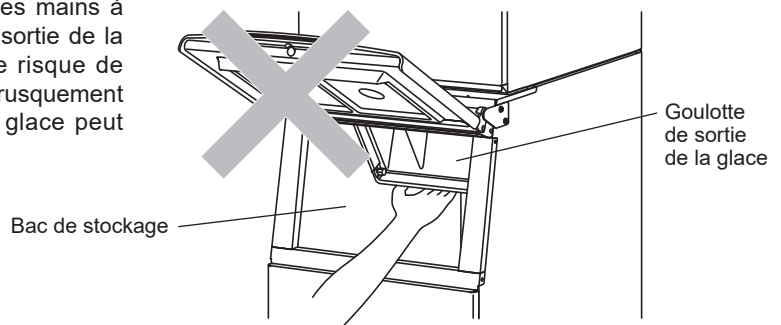
\* Dans certaines régions, il est possible qu'il faille obtenir une autorisation pour effectuer les travaux de plomberie et avoir recours aux services d'un plombier autorisé.



## II. CONSIGNES D'UTILISATION

### ⚠ ATTENTION

Ne pas entrer dans le bac de stockage ni mettre les mains à l'arrière du bac de stockage ni dans la goulotte de sortie de la glace au-dessus du bac de stockage. De la glace risque de tomber de la machine, un bloc dur de glace peut brusquement se rompre, ou le mécanisme de fabrication de la glace peut brusquement bouger, et entraîner des blessures.



### AVIS

Toutes les pièces sont réglées en usine. Tout mauvais réglage risque de provoquer une panne.

Après avoir arrêté l'appareil, attendre au moins 3 minutes avant de le remettre sous tension pour éviter d'endommager le compresseur.

### ⚠ HYGIENE

Cette machine à glace est conçue pour produire de la glace alimentaire. Pour la maintenir dans un parfait état d'hygiène :

- \* Se laver les mains avant d'extraire la glace. Utiliser la pelle en plastique (accessoire) prévue à cet effet.
- \* Le bac de stockage est destiné uniquement à la glace. Ne conserver rien d'autre dans ce bac, et ne pas y utiliser d'autres équipements électriques.
- \* Avant d'utiliser la machine, nettoyer le bac de stockage (voir « III. 1. NETTOYAGE »).
- \* Veiller à la propreté de la pelle. La nettoyer en utilisant un produit nettoyant neutre et la rincer soigneusement.
- \* Une fois la glace retirée, fermer la porte pour éviter que des saletés, de la poussière ou des insectes ne s'introduisent dans le bac de stockage.

## 1. MISE EN MARCHÉ

L'installateur met généralement la machine à glace en service pour mettre en route la production automatique de glace. Afin de garantir un fonctionnement en continu, s'assurer que :

- \* Le robinet d'arrivée d'eau est ouvert et
- \* La machine à glace est branchée sur l'alimentation électrique.

## 2. PREPARATION DU DISTRIBUTEUR DE GLACE EN VUE D'UN ENTREPOSAGE DE LONGUE DUREE

### AVIS

La machine à glace ne fonctionnera pas aux températures au-dessous de zéro. Pour prévenir tout dommage au niveau de la conduite d'alimentation en eau, vidanger la machine à glace lorsque la température de l'air est inférieure à zéro.

### ⚠ HYGIENE

En cas de mise hors tension de la machine à glace pendant au moins deux jours, la vidanger pour éviter une contamination du circuit d'eau.

- 1) Débrancher la machine à glace ou couper l'alimentation.
- 2) Fermer le robinet d'eau et retirer le tuyau d'arrivée.
- 3) Retirer toute la glace se trouvant dans le bac de stockage et nettoyer le bac.
- 4) Faites effectuer la vidange de la machine à glace par un technicien qualifié.

## III. ENTRETIEN

### 1. NETTOYAGE

#### ⚠ AVERTISSEMENT

Avant toute opération de nettoyage ou d'entretien, débrancher l'alimentation électrique de la machine à glace.

Cet appareil ne doit pas être nettoyé à l'aide d'un jet d'eau.

#### ⚠ ATTENTION

En cas d'utilisation d'un produit neutre ou d'hypochlorite de sodium, bien lire et comprendre les consignes fournies pour éviter des problèmes de santé potentiels.

#### AVIS

Faire nettoyer et désinfecter le système d'eau de la machine à glace par un technicien qualifié au moins deux fois par an et faire vérifier et nettoyer le condenseur au moins une fois par an.

Afin d'éviter tout dommage possible, ne pas nettoyer les pièces en plastique avec de l'eau à plus de 40 °C ou dans un lave-vaisselle.

#### [a] Extérieur de la machine et du bac

Essuyer l'extérieur au moins une fois par semaine à l'aide d'un chiffon doux et propre. Pour éliminer les traces de graisse ou les salissures, utiliser un chiffon imbibé d'un produit de nettoyage neutre.

#### [b] Nettoyage/désinfection de la pelle et de la poignée du bac de stockage (quotidiennement)

1) Mélanger 1 litre d'eau avec 4 ml de solution d'hypochlorite de sodium à 5,25 % dans un récipient adapté ou utiliser le désinfectant Hoshizaki en suivant les instructions d'utilisation du produit.

2) Plonger la pelle dans la solution pendant plus de 3 minutes. Rincer à fond et agiter pour éliminer l'excédent de liquide.

Remarque : L'utilisation d'un chiffon pour sécher la pelle risque de la recontaminer.

3) Utiliser un produit neutre pour nettoyer la poignée du bac de stockage. Rincer soigneusement.

4) Imbiber un chiffon propre de solution désinfectante et essuyer la poignée. Rincer avec de l'eau propre et sécher à l'aide d'un chiffon propre.

#### [c] Nettoyage/désinfection de l'intérieur du bac de stockage (hebdomadairement)

1) Ouvrir la porte du bac de stockage et retirer toute la glace.

Remarque : Hoshizaki recommande différents types de bacs de stockage pour la machine à glace, dont la taille et la conception peuvent varier. Les instructions suivantes sont donc uniquement fournies à titre indicatif.

2) Retirer les vis à oreilles qui maintiennent le déflecteur.

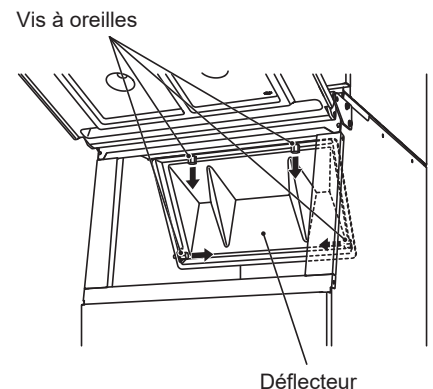
3) Retirer le déflecteur du bac.

4) Laver le revêtement du bac avec un produit nettoyant neutre non abrasif. Rincer soigneusement.

5) Mélanger 5 litres d'eau avec 18 ml de solution d'hypochlorite de sodium à 5,25 % dans un récipient adapté ou utiliser le désinfectant Hoshizaki en suivant les instructions d'utilisation du produit.

6) Imbiber de solution une éponge ou un chiffon propre et essuyer le revêtement du bac et le déflecteur.

7) Réinstaller le déflecteur et les vis à oreilles. Essuyer la surface de la porte du bac et les vis à oreilles avec la solution. Fermer la porte du bac.



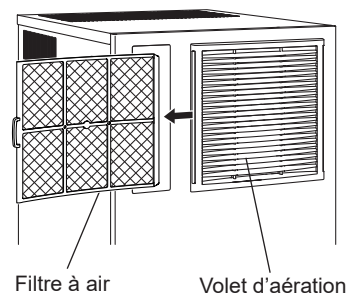
8) Le reste de la solution peut être utilisé pour désinfecter les ustensiles.

Remarque : Après désinfection, ne pas sécher ni rincer. Laisser sécher à l'air.

## [d] Filtre à air (Modèle avec refroidissement par air uniquement)

Des filtres à air en plastique permettent de filtrer les impuretés et la poussière de l'air, et empêchent l'obturation du condenseur. En cas de colmatage des filtres, les performances de la machine à glace seront affectées. Déposer et nettoyer le(s) filtre(s) à air au moins deux fois par mois :

- 1) Faire glisser le filtre à air hors du volet d'aération.
- 2) Utiliser un aspirateur pour nettoyer le filtre à air. En cas de colmatage important, laver le filtre à air en utilisant une solution d'eau chaude et de produit nettoyant neutre.
- 3) Rincer et sécher soigneusement le filtre à air.



### AVIS

Après nettoyage, veiller à remettre en place le filtre à air.

## 2. AVANT D'APPELER UN REPARATEUR

### ⚠ AVERTISSEMENT

Veiller à ne pas endommager le circuit réfrigérant.

### [a] Affichage d'un code d'erreur

Si un code d'erreur « E » s'affiche à l'écran, effectuer les contrôles suivants avant d'appeler un réparateur.

Code	Solution
<b>E1</b>	Erreur de congélation. Débrancher, puis rebrancher l'appareil au bout de 3 minutes. Nettoyer le filtre à air (modèle refroidi par air). Diminuer la température ambiante ou assurer un dégagement suffisant autour de l'appareil (voir « 1 2. EMBLACEMENT »). Si l'erreur persiste, appeler un réparateur.
<b>E2</b>	Erreur de dégivrage. Débrancher, puis rebrancher l'appareil au bout de 3 minutes. Si l'erreur persiste, appeler un réparateur.
<b>EE</b>	Autre erreur. Débrancher, puis rebrancher l'appareil au bout de 3 minutes. Nettoyer le filtre à air (modèle refroidi par air). Vérifier qu'il n'y a pas de coupure d'eau ou que le robinet d'arrivée d'eau n'est pas fermé. Diminuer la température ambiante ou assurer un dégagement suffisant autour de l'appareil (voir « 1 2. EMBLACEMENT »). Si l'erreur persiste, appeler un réparateur.
<b>EF</b>	Fuite de gaz possible. Ne pas toucher l'appareil. Ventiler la pièce et appeler immédiatement un réparateur.

### [b] Aucun affichage de code d'erreur

Si la machine à glace ne fonctionne pas correctement ou pas du tout et qu'aucun code d'erreur ne s'affiche à l'écran, effectuer les contrôles suivants avant d'appeler un réparateur :

- \* L'appareil est sous tension.
- \* Le robinet d'eau est ouvert.
- \* Le filtre à air est propre (modèle refroidi par air).
- \* Le flux du circuit d'eau de refroidissement est correct (modèle refroidi par eau).

Pour tout autre conseil ou assistance, contacter le réparateur Hoshizaki le plus proche de chez vous.

### [c] Affichage d'un code d'alarme

Si le code d'alarme A1 ou A2 s'affiche, le capteur de gaz est peut-être défectueux. Contacter le réparateur Hoshizaki le plus proche.

## 3. MISE AU REBUT

Respecter les réglementations locales relatives à la mise au rebut de cet appareil et de son fluide frigorigène. Avant de mettre l'appareil au rebut, enlever la porte pour éviter qu'un enfant ne reste emprisonné.

# FRANCAIS

Mise au rebut correcte de ce produit :

Ce symbole indique que ce produit ne doit pas être mis au rebut avec d'autres déchets ménagers dans l'UE. Pour empêcher que le dépôt non contrôlé de déchets ne nuise à l'environnement ou à la santé, recycler ce produit de manière responsable de sorte que les ressources matérielles soient réutilisées durablement. Pour se débarrasser de l'appareil usagé, s'adresser aux services de collecte de déchets ou contacter le détaillant où le produit a été acheté. Ils peuvent prendre en charge ce produit et le recycler de manière respectueuse pour l'environnement.



## 4. GARANTIE

Hoshizaki garantit au propriétaire/à l'utilisateur d'origine que tous les produits portant la marque Hoshizaki seront exempts de tout défaut et/ou vice de fabrication au cours de la « période de garantie ». La garantie est valable deux ans à compter de la date d'installation. La responsabilité de Hoshizaki aux termes de la garantie est limitée et exclut les interventions d'entretien de routine, de nettoyage, de maintenance essentielle et/ou les réparations découlant d'une utilisation abusive et d'installations non conformes aux directives de Hoshizaki.

Les réparations effectuées au titre de la garantie doivent être effectuées par un revendeur ou un réparateur agréé Hoshizaki utilisant des composants Hoshizaki d'origine.

Pour tout renseignement sur votre garantie et les agents de service agréés, veuillez prendre contact avec votre distributeur/fournisseur ou le centre de services Hoshizaki le plus proche :

### Europe, Moyen-Orient, Afrique

Hoshizaki UK - Royaume-Uni, Irlande  
TEL : +44 845 456 0585  
FAX : +44 132 283 8331  
uksales@hoshizaki.uk

Hoshizaki Middle East - Moyen-Orient  
TEL : +971 48 876 612  
FAX : +971 48 876 613  
sales@hoshizaki.ae

Hoshizaki Deutschland - Allemagne, Suisse, Autriche,  
Pologne, République tchèque, Slovaquie  
TEL : +49 5121 697370  
FAX : +49 5121 6973719  
vertrieb@hoshizaki.de

Hoshizaki Benelux - Pays-Bas, Belgique, Luxembourg  
TEL : +31 85 018 83 70  
info@hoshizaki.nl

Hoshizaki France - France  
TEL : +33 1 48 63 93 80  
FAX : +33 1 48 63 93 88  
info@hoshizaki.fr

Hoshizaki Italia - Italie  
TEL : +39 344 0616467  
TEL : +39 348 3022156  
info@hoshizaki.it

Hoshizaki Iberia - Espagne, Portugal  
TEL : +34 93 478 09 52  
FAX : +34 93 478 08 00  
info@hoshizaki.es

Hoshizaki Europe B.V. - tous les autres pays d'Europe et  
d'Afrique  
TEL : +31 20 6918499  
FAX : +31 20 6918768  
sales@hoshizaki.nl

### Asie, Océanie

Hoshizaki Singapore  
TEL : +65 6225 2612  
FAX : +65 6225 3219  
sales@hoshizaki.com.sg (ventes)  
serviceadmin@hoshizaki.com.sg (support technique)

Hoshizaki Hong Kong  
TEL : +852 2866 2108  
FAX : +852 2866 2109

Hoshizaki Taiwan  
TEL : +886 2 2706 8818  
FAX : +886 2 2708 7999

Hoshizaki Lancer  
TEL : +61 8 8268 1388  
FAX : +61 8 8268 1978

## SPECIFICATIONS

Modèle	IM-130ANE-HC	IM-240ANE-HC
Type	Refroidi par air, glace en cubes	Refroidi par air, glace en cubes
Alimentation	1 phase 220 - 240 V 50 Hz	1 phase 220 - 240 V 50 Hz
Consommation électrique	635 W	930 W
Production de glace par 24 h	110 kg (5 mm) / 125 kg (15 mm) (température ambiante 10 °C, température de l'eau 10 °C)	195 kg (5 mm) / 210 kg (15 mm) (température ambiante 10 °C, température de l'eau 10 °C)
Dimensions	560 mm (L) x 700 mm (P) x 880 mm (H)	560 mm (L) x 700 mm (P) x 880 mm (H)
Fluide frigorigène	R290, 110 g	R290, 147 g
Agent gonflant pour mousse d'isolation	N'est pas applicable	N'est pas applicable
Poids	Net : 68 kg (Brut : 79 kg)	Net : 78 kg (Brut : 89 kg)
Température ambiante	1 - 40 °C	1 - 40 °C
Température de l'alimentation en eau	5 à 35 °C	5 à 35 °C
Pression de l'alimentation en eau	0,07 - 0,78 MPa (0,7 - 8 bar)	0,07 - 0,78 MPa (0,7 - 8 bar)
Plage de tension	Tension nominale ± 6%	Tension nominale ± 6%

Modèle	IM-240AWNE-HC
Type	Refroidi par eau, glace en cubes
Alimentation	1 phase 220 - 240 V 50 Hz
Consommation électrique	800 W
Production de glace par 24 h	190 kg (5 mm) / 205 kg (15 mm) (température ambiante 10 °C, température de l'eau 10 °C)
Dimensions	560 mm (L) x 700 mm (P) x 880 mm (H)
Fluide frigorigène	R290, 147 g
Agent gonflant pour mousse d'isolation	N'est pas applicable
Poids	Net : 83 kg (Brut : 95 kg)
Température ambiante	1 - 40 °C
Température de l'alimentation en eau	5 à 35 °C
Pression de l'alimentation en eau	0,07 - 0,78 MPa (0,7 - 8 bar)
Plage de tension	Tension nominale ± 6%

Remarque : Les caractéristiques techniques ci-dessus concernent les modèles de représentation.

# DEUTSCH

## WICHTIGE SICHERHEITSHINWEISE

Dieses Handbuch enthält Hinweise, die Sie auf Situationen aufmerksam machen sollen, die Tod, schwere Verletzungen oder Geräteschäden verursachen können.

<b>▲WARNUNG</b>	Kennzeichnet eine gefährliche Situation, die, wenn sie nicht vermieden wird, zum Tod oder zu schweren Verletzungen führen kann.
<b>▲VORSICHT</b>	Kennzeichnet eine gefährliche Situation, die, wenn sie nicht vermieden wird, zu leichten oder mittleren Verletzungen führen kann.
<b>HINWEIS</b>	Kennzeichnet eine gefährliche Situation, die, wenn sie nicht vermieden wird, zu Geräteschäden führen kann.
<b>▲HYGIENE</b>	Kennzeichnet wichtige Maßnahmen für Hygiene und Lebensmittelsicherheit.
<b>WICHTIG</b>	Kennzeichnet wichtige Informationen zu Gebrauch und Pflege des Gerätes.

Das in diesem Eisbereiter verwendete HFC-freie Kältemittel (Propan) ist nicht ozonschädigend und ökologisch nachhaltig, und wirkt sich nur wenig auf die globale Erwärmung aus.

<b>▲WARNUNG</b>	
Der Eisbereiter dieses Gerätes enthält entflammbares Kältemittel; Installation, Handhabung, Wartung und Entsorgung dürfen deshalb nur von autorisierten Technikern ausgeführt werden.	
Das Kältemittel in diesem Eisbereiter ist entflammbar und im Kältesystem eingeschlossen. Obwohl das Kältemittel bei normalem Gebrauch nicht austritt, muss der Eisbereiter mit äußerster Sorgfalt gehandhabt werden, um das System in keiner Weise zu beschädigen.	
Falls das Kältesystem versehentlich beschädigt und dadurch Kältemittel freigesetzt wird: * in der Nähe keine Funkenquelle erzeugen * in der Nähe keine elektrischen Schalter betätigen oder Stecker verwenden * kein offenes Feuer verwenden * den Bereich sofort durch Öffnen von Türen und/oder Fenstern lüften * den Kundendiensttechniker rufen	
<b>WICHTIG</b>	
Diese Broschüre ist ein integraler und wesentlicher Bestandteil des Produkts und ist deshalb vom Benutzer aufzubewahren.	
Bitte lesen Sie die Hinweise und Warnungen sorgfältig durch, da sie wichtige Informationen für eine fortgesetzte, sichere Verwendung und Wartung des Produkts enthalten. Außerdem gibt sie dem Benutzer NUR HINWEISE zur richtigen Wartung und zum Standort des Eisbereiters.	
Bitte heben Sie diese Bedienungsanleitung auf, damit Sie bei Bedarf darauf zurückgreifen können.	

**⚠️ WARNUNG**

Dies ist ein Eisbereiter für den gewerblichen Einsatz, der ausschließlich für den vorgesehenen Zweck benutzt und mit einem, wie von Hoshizaki angegebenen, geeigneten Vorratsbehälter ausgestattet werden soll.

Jede andere Verwendung ist als Zweckentfremdung und somit als gefährlich anzusehen. Der Hersteller übernimmt keine Haftung oder Verantwortung für Schäden, die durch missbräuchliche, falsche oder unangemessene Verwendung verursacht werden.

**Installation und erforderliche Standortverlegungen sind von qualifiziertem Personal in Übereinstimmung mit geltenden Vorschriften nach Angaben des Herstellers auszuführen.**

Die Lüftungsöffnungen im Gerätegehäuse oder im Innern des Gerätes nicht blockieren.

Zum Beschleunigen des Abtauvorgangs ausschließlich die vom Hersteller empfohlenen mechanischen Geräte oder anderen Mittel verwenden.

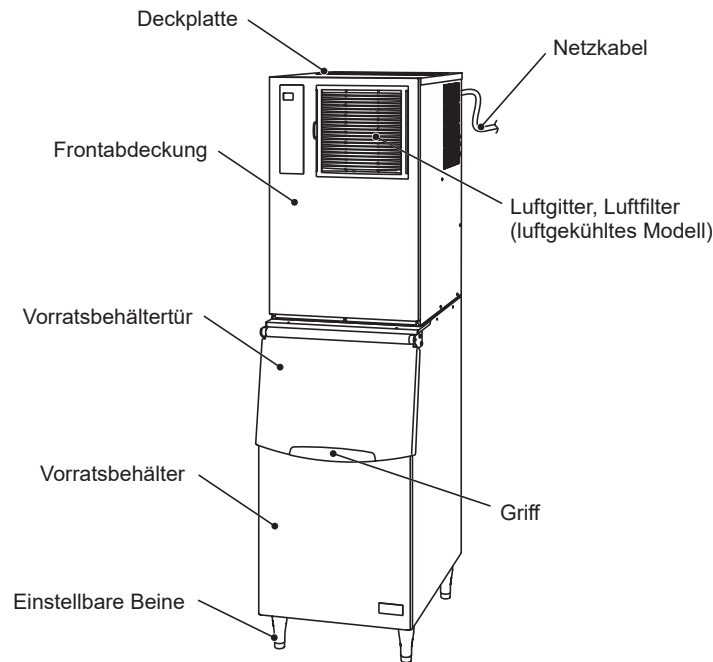
Wie bei allen Elektrogeräten sind stets einige grundsätzliche Vorsichtsmaßnahmen zu beachten. Insbesondere:

- \* Bei hoher Feuchtigkeit oder Nässe besteht Kurzschlussgefahr, wodurch ein elektrischer Schlag verursacht werden kann. Im Zweifelsfall ist der Netzstecker des Eisbereiters zu ziehen.
- \* Das Stromkabel nicht beschädigen und nicht daran ziehen, um den Eisbereiter vom Stromnetz zu trennen.
- \* Ist das Netzkabel beschädigt, muss es durch ein vom Hoshizaki-Ersatzteil-/Kundendienst erhältliches Ersatzkabel ersetzt werden.
- \* Die elektrischen Komponenten und die Schalter nicht mit feuchten Händen berühren.
- \* Dieses Gerät darf nicht von Personen (einschl. Kindern) benutzt werden, deren physische, sensorische oder mentale Fähigkeiten eingeschränkt sind oder über keine Erfahrung und kein Wissen verfügen. Es kann jedoch benutzt werden von Kindern ab 8 Jahren und Personen, deren physische, sensorische oder mentale Fähigkeiten eingeschränkt sind oder über keine Erfahrung und kein Wissen verfügen, wenn sie von einer für ihre Sicherheit verantwortlichen Person bei der Benutzung des Gerätes beaufsichtigt oder angeleitet werden.
- \* Kinder dürfen nicht mit dem Gerät spielen.
- \* Reinigungs- und Wartungsarbeiten dürfen von Kindern nicht unbeaufsichtigt durchgeführt werden.
- \* Am Eisbereiter dürfen keine Änderungen vorgenommen werden. Das Gerät darf nur von Fachpersonal zerlegt oder instand gesetzt werden.

# DEUTSCH

## I. INSTALLATIONSANLEITUNG

### 1. KONSTRUKTION



### 2. AUFSTELLEN

#### ⚠️ WARNUNG

Dieser Eisbereiter eignet sich nicht für den Gebrauch im Freien.

Der Eiswürfelbereiter darf nicht neben Öfen, Grills oder anderen Geräten aufgestellt werden, die Hitze erzeugen.

Dieses Gerät eignet sich nicht für die Aufstellung in Räumen, in denen ggf. ein Wasserstrahl benutzt wird.

In Umgebungen mit hoher Feuchtigkeit kann sich Kondenswasser im Gerät bilden und auf den Boden tropfen. Das Gerät nicht auf Böden aufstellen, die durch Wasser beschädigt werden können.

#### ⚠️ VORSICHT

Der Aufstellort für den Eisbereiter muss stabil und eben sein.

#### HINWEIS

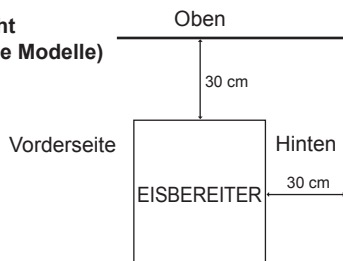
Keine Gegenstände auf die Deckplatte oder vor das Luftgitter des Eisbereiters stellen.

#### WICHTIG

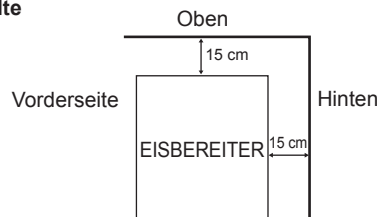
Für Normalbetrieb muss die Raumtemperatur zwischen 1 °C und 40 °C liegen. Der Wasseranschluss ist nur für kaltes Wasser. Längerer Gebrauch des Eisbereiters bei Temperaturen außerhalb dieser normalen Temperaturgrenzwerte kann die Produktionsleistung beeinträchtigen.

Die unten angegebenen Abstände einhalten, um eine optimale Luftzirkulation zu gewährleisten und die Wartung bzw. Pflege des Gerätes zu erleichtern.

**Seitenansicht  
(Luftgekühlte Modelle)**



**Seitenansicht  
(Wassergekühlte Modelle)**



Das Gerät nicht über längere Zeit direktem Sonnenlicht aussetzen.



## 3. ELEKTRISCHE ANSCHLÜSSE

### ⚠️ WARNUNG

#### DIESES GERÄT MUSS GEERDET WERDEN

Dieser Eisbereiter erfordert einen Schutzkontakt, der nationalen und lokalen Bestimmungen entspricht.

Die Stromversorgung ausschalten, bevor Wartungs-, Reparatur- oder Reinigungsarbeiten vorgenommen werden.

- \* Die Hauptsicherung im Schaltkasten ist für eine Stromstärke von 5 A ausgelegt und darf nur von einer autorisierten Fachkraft ausgewechselt werden.
- \* In der Regel wird hierzu ein Elektriker mit entsprechender Qualifikation und Zulassung benötigt.

#### Nur für das Vereinigte Königreich und die Republik Irland

- \* Die Drähte im Netzkabel sind nach dem folgenden Farbcode gekennzeichnet:

Grün & Gelb = Erde

Blau = Nullleiter

Braun = spannungsführender Leiter

Die Farben der Adern im Netzkabel dieses Geräts stimmen möglicherweise nicht mit den Farbmarkierungen in Ihrem Stecker überein, daher bitte immer wie folgt verfahren:

Der grün-gelbe Leiter ist an die Klemme anzuschließen, die mit dem Buchstaben E oder dem Symbol  $\perp$  bzw. grün oder gelb-grün markiert ist. Die blaue Ader ist an die Klemme anzuschließen, die mit dem Buchstaben N oder schwarz markiert ist. Die braune Ader ist an die Klemme anzuschließen, die mit dem Buchstaben L oder rot markiert ist.

- \* Falls der mit dem Gerät gelieferte Stecker für die Netzsteckdose am Installationsort ungeeignet ist, muss er entfernt (bzw. wenn er verkapselt ist, abgeschnitten) und durch einen passenden Stecker ersetzt werden.

Ein abgeschnittener, verkapselter (nicht zugänglicher Stecker) muss entsorgt werden. Versuchen Sie nicht, ihn wiederzuverwenden. Durch die Verwendung eines solchen Steckers in einer anderen Steckdose besteht die Gefahr eines elektrischen Schlags.

- \* Der verkapselte Stecker ist nie ohne angebrachte Sicherungsabdeckung zu verwenden.

Der richtige Ersatz für die abnehmbare Sicherungsabdeckung lässt sich anhand der Hersteller-Referenznummer ermitteln, die auf den Stecker gestanzt ist.

Ersatzabdeckungen für Sicherungen sind von Hoshizaki-Ersatzteil-/Service-Zentren erhältlich.

Es sind 13-A-Sicherungen zu verwenden, die die Norm BS 1362 erfüllen.

## 4. WASSERZULAUF- UND WASSERABLAUFANSCHLÜSSE

### ⚠️ WARNUNG

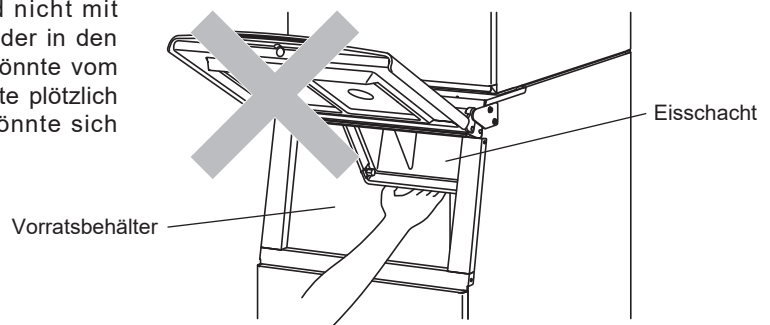
Nur an die kalte Trinkwasserversorgung anschließen.

- \* Die Anschlüsse an die Hauptwasserversorgung müssen entsprechend den Anforderungen der aktuellen Wasserversorgungs- oder Wasseranschlussbestimmungen ausgeführt werden.
- \* Wasser für die Eisbereitung muss Trinkwasser sein. Wo Ablagerungen aufgrund der Wasserqualität entstehen können:
  - Es wird die Installation eines externen Filters oder Weichmachers empfohlen. Wenden Sie sich an Ihren örtlichen Wasseraufbereitungsspezialisten oder an den Hoshizaki-Kundendienst.
  - Es wird der Wechsel zum Modus „volle Ablaufspülung“ empfohlen. Wenden Sie sich an Ihren Hoshizaki-Kundendienst.
- \* In bestimmten Gebieten sind eine Installationsgenehmigung und der Anschluss durch einen zugelassenen Installateur erforderlich.

## II. BEDIENUNGSANLEITUNG

### ▲ VORSICHT

Nicht in den Vorratsbehälter hineinsteigen und nicht mit den Händen nach hinten in den Vorratsbehälter oder in den Eisschacht oben im Vorratsbehälter greifen. Eis könnte vom Eisbereiter herunterfallen, ein harter Eisblock könnte plötzlich herabfallen oder der Eisbereitermechanismus könnte sich plötzlich bewegen und Verletzungen verursachen.



### HINWEIS

Alle Komponenten wurden werksseitig eingestellt. Unsachgemäße Einstellarbeiten können die ordnungsgemäße Funktion des Eispenders beeinträchtigen.

Um eine Beschädigung des Verdichters zu vermeiden, nach Ausschalten des Eisbereiters mindestens 3 Minuten lang warten, bevor das Gerät wieder eingeschaltet wird.

### ▲ HYGIENE

Dieser Eisbereiter ist für die Herstellung von Trinkwassereis konzipiert. Aus Gründen der Hygiene:

- \* Bitte immer die Hände waschen, bevor Eis entnommen wird. Zum Entnehmen von Eis immer die Kunststoffschaufel (Zubehör) verwenden.
- \* Der Vorratsbehälter ist ausschließlich für Eis zu verwenden. Nichts anderes im Vorratsbehälter aufbewahren und keine anderen elektrischen Geräte im Vorratsbehälter verwenden.
- \* Vorratsbehälter vor der Verwendung reinigen (siehe „III. 1. REINIGUNG“).
- \* Die Eisschaufel sauber halten. Stets ein neutrales Reinigungsmittel verwenden und gründlich abspülen.
- \* Nach der Entnahme von Eis immer die Tür schließen, um das Eindringen von Schmutz, Staub oder Ungeziefer in den Vorratsbehälter zu verhindern.

## 1. INBETRIEBNAHME

Der Installateur nimmt den Eisbereiter normalerweise in Betrieb, so dass die automatische Eisherstellung beginnt. Für Dauerbetrieb ist darauf zu achten:

- \* dass der Wasserhahn geöffnet ist und
- \* dass der Eisbereiter an das Netz angeschlossen ist.

## 2. MASSNAHMEN FÜR DIE LANGFRISTIGE LAGERUNG DES EISSPENDERS

### HINWEIS

Dieser Eisbereiter arbeitet nicht bei Temperaturen unter Null. Um Schaden an der Wasserzufuhrleitung zu vermeiden, ist das Wasser aus dem System zu entfernen, sobald die Lufttemperatur unter 0 °C sinkt.

### ▲ HYGIENE

Wird der Eisbereiter zwei Tage oder länger ausgeschaltet, das Wasser aus dem Eisbereiter ablassen, um eine Verunreinigung des Wasserkreises zu vermeiden.

- 1) Netzstecker des Eisbereiters ausstecken oder die Stromversorgung trennen.
- 2) Wasserzulaufhahn zudrehen und Zulaufschlauch entfernen.
- 3) Alles Eis aus dem Vorratsbehälter entfernen und den Behälter reinigen.
- 4) Den Eisbereiter von professionellem, qualifiziertem Personal entleeren lassen.

## III. WARTUNG

### 1. REINIGUNG

#### ⚠️ WARNUNG

Vor Durchführung von Reinigungs- oder Wartungsarbeiten immer den Netzstecker des Eisbereiters ziehen.

Dieses Gerät darf nicht mit einem Wasserstrahl gereinigt werden.

#### ⚠️ VORSICHT

Bei der Verwendung eines Neutralreinigers oder von Natriumhypochlorit die Hinweise zur Vermeidung von Gesundheitsschäden aufmerksam lesen und beachten.

#### HINWEIS

Den Eisbereiter mindestens zweimal im Jahr von qualifiziertem Fachpersonal reinigen und desinfizieren lassen; den Verflüssiger mindestens einmal im Jahr prüfen und reinigen lassen.

Um Beschädigungen zu vermeiden, Kunststoffteile nicht mit über 40 °C heißem Wasser oder in einem Geschirrspüler reinigen.

#### [a] Gerät und Außenseite des Vorratsbehälters

Alle Außenflächen mindestens einmal in der Woche mit einem sauberen, weichen Tuch abwischen. Fett- und Schmutzspuren mit einem feuchten Tuch und neutralem Reinigungsmittel entfernen.

#### [b] Reinigung/Desinfektion von Eisschaufel und Griff des Vorratsbehälters (täglich)

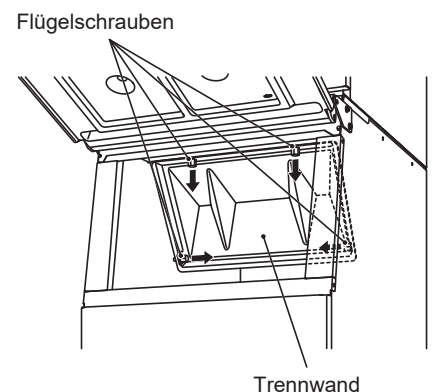
- 1) In einem geeigneten Behälter entweder 1 l Wasser mit 4 ml einer 5,25% igen Natriumhypochloritlösung mischen oder den empfohlenen Hoshizaki-Desinfizierer wie beschrieben verwenden.
- 2) Die Eisschaufel länger als 3 Minuten in der Lösung baden. Gründlich spülen und zum Entfernen der Restflüssigkeit gut schütteln.  
Hinweis: Abtrocknen mit einem Tuch kann zu erneuter Verschmutzung führen.
- 3) Zum Abwaschen des Vorratsbehältergriffs einen Neutralreiniger benutzen. Gründlich spülen.
- 4) Ein sauberes Tuch mit der Desinfektionslösung tränken und den Griff abwischen. Benutzen Sie frisches Wasser und ein sauberes Tuch zum Abspülen bzw. Abwischen.

#### [c] Reinigung/Desinfektion der Innenflächen des Vorratsbehälters (wöchentlich)

- 1) Vorratsbehältertür öffnen und sämtliches Eis entfernen.

Hinweis: Hoshizaki empfiehlt für den Eisbereiter verschiedene Vorratsbehältertypen in unterschiedlichen Größen und mehreren Ausführungen. Die folgenden Anweisungen dienen daher nur als allgemeine Richtlinie.

- 2) Die Flügelschrauben, welche die Trennwand fixieren, entfernen.
- 3) Die Trennwand aus dem Vorratsbehälter herausnehmen.
- 4) Die Auskleidung des Vorratsbehälters und Trennwand mit einem neutralen, nicht scheuernden Reinigungsmittel waschen. Gründlich spülen.
- 5) In einem geeigneten Behälter entweder 5 l Wasser mit 18 ml einer 5,25% igen Natriumhypochloritlösung mischen oder den empfohlenen Hoshizaki-Desinfizierer wie beschrieben verwenden.
- 6) Einen sauberen Schwamm oder ein Tuch mit der Lösung tränken und die Trennwand und Auskleidung des Vorratsbehälters abwaschen.
- 7) Trennwand und Flügelschrauben wieder anbringen. Die Oberfläche der Vorratsbehältertür und die Flügelschrauben mit der Lösung abwischen. Die Vorratsbehältertür schließen.



# DEUTSCH

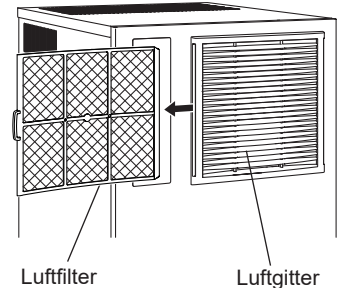
8) Mit der restlichen Lösung kann Zubehör desinfiziert werden.

Hinweis: Nach dem Desinfizieren weder trocken wischen noch spülen, sondern trocknen lassen.

## [d] Luftfilter (nur luftgekühlte Modelle)

Siebfilter aus Kunststoff entfernen Schmutz oder Staub aus der Luft und verhindern das Verstopfen des Verflüssigers. Wenn die Filter verstopfen, nimmt die Leistung des Eisbereiters ab. Die Luftfilter mindestens zweimal monatlich herausnehmen und reinigen:

- 1) Den Luftfilter vom Luftgitter schieben.
- 2) Luftfilter mit einem Staubsauger reinigen. Falls er sehr verstopft ist, Luftfilter mit warmem Wasser und einem Neutralreiniger auswaschen.
- 3) Den Luftfilter gründlich abspülen und trocknen.



### HINWEIS

Nach der Reinigung nicht vergessen, den Luftfilter wieder einzusetzen.

## 2. VOR ANRUF DES KUNDENDIENSTES

### ⚠️ WARNUNG

Den Kältekreislauf nicht beschädigen.

## [a] Fehlercodeanzeige

Wenn der Fehlercode „E“ auf der Anzeige aufleuchtet, überprüfen Sie das Folgende, bevor Sie den Wartungsdienst anrufen.

Code	Abhilfe
<b>E1</b>	Gefrierfehler. Das Gerät vom Netz trennen und nach 3 Minuten wieder verbinden. Luftfilter reinigen (luftgekühltes Modell). Umgebungstemperatur verringern oder ausreichenden Abstand um das Gerät sicherstellen (siehe „1. 2. AUFSTELLEN“). Wenn der Fehler anhält, den Kundendienst rufen.
<b>E2</b>	Abtaufehler. Das Gerät vom Netz trennen und nach 3 Minuten wieder verbinden. Wenn der Fehler anhält, den Kundendienst rufen.
<b>EE</b>	Sonstige Fehler. Das Gerät vom Netz trennen und nach 3 Minuten wieder verbinden. Luftfilter reinigen (luftgekühltes Modell). Auf Störungen in der Wasserzufuhr oder geschlossenen Wasserzufuhrhahn prüfen. Umgebungstemperatur verringern oder ausreichenden Abstand um das Gerät sicherstellen (siehe „1. 2. AUFSTELLEN“). Wenn der Fehler anhält, den Kundendienst rufen.
<b>EF</b>	Möglicherweise Gasleck. Gerät nicht berühren. Raum lüften und unverzüglich Kundendienst rufen.

## [b] Keine Fehlercodeanzeige

Wenn der Eisbereiter nicht richtig oder gar nicht funktioniert und keine Fehlercodeanzeige aufleuchtet, kontrollieren Sie das Folgende, bevor Sie den Wartungsdienst anrufen:

- \* Das Gerät mit dem Stromnetz verbunden ist.
- \* Das Wasser ist eingeschaltet.
- \* Der Luftfilter ist sauber (nur luftgekühltes Modell).
- \* Der Kühlwasserkreislauf fließt einwandfrei (wassergekühlte Ausführung).

Wenn Sie weitere Hilfe oder Rat benötigen, wenden Sie sich an Ihren Hoshizaki-Kundendienst.

## [c] Anzeige von Alarmcodes

Wenn der Alarmcode A1 oder A2 angezeigt wird, ist möglicherweise der Gassensor defekt. Wenden Sie sich an Ihren Hoshizaki-Kundendienst.

### 3. ENTSORGUNG

Die gesetzlichen Bestimmungen zur Entsorgung dieses Gerätes und des enthaltenen Kältemittelgases. Vor dem Verschrotten des Gerätes die Tür abnehmen, um zu vermeiden, dass sich Kinder im Gerät versehentlich einschließen.

Richtige Entsorgung dieses Gerätes:

Dieses Kennzeichen bedeutet, dass dieses Gerät in der EU nicht mit dem normalen Haushaltsmüll entsorgt werden darf. Um Schäden der Umwelt oder der menschlichen Gesundheit durch unkontrollierte Müllbeseitigung zu vermeiden, recyceln Sie das Gerät und fördern Sie damit die nachhaltige Wiederverwertung von stofflichen Ressourcen. Nutzen Sie die Rückgabe- und Sammelsysteme oder wenden Sie sich an den Händler, bei dem Sie das Gerät gekauft haben, um das gebrauchte Gerät zurückzugeben. Dort wird das Gerät der umweltfreundlichen Wiederverwertung zugeführt.



### 4. GEWÄHRLEISTUNG

Hoshizaki garantiert dem Originalbesitzer/-benutzer, dass alle Markenprodukte von Hoshizaki für die Dauer der „Garantiezeit“ frei von Material- und/oder Verarbeitungsfehlern sind. Die Garantie gilt für zwei Jahre ab Datum der Installation.

Die Haftung von Hoshizaki nach diesen Garantiebedingungen ist begrenzt. Sie schließt Routinewartung und Reinigung sowie Wartungs- und/oder Reparaturarbeiten aus, die durch missbräuchliche Benutzung oder fehlerhafte Installation verursacht worden sind.

Garantiereparaturen sind von einem zugelassenen Hoshizaki-Händler oder -Kundendienst mit Hoshizaki-Originalbauteilen auszuführen.

Für vollständige Informationen zur Gewährleistung und zugelassene Kundendienste wenden Sie sich bitte an Ihren Händler/ Lieferanten oder den nächstgelegenen Hoshizaki-Kundendienst:

#### Europa, Naher Osten, Afrika

Hoshizaki UK - Vereinigtes Königreich, Irland  
TEL.: +44 845 456 0585  
FAX: +44 132 283 8331  
uksales@hoshizaki.uk

Hoshizaki Middle East - Naher Osten  
TEL.: +971 48 876 612  
FAX: +971 48 876 613  
sales@hoshizaki.ae

Hoshizaki Deutschland - Deutschland, Schweiz, Österreich,  
Polen, Tschechien, Slowakei  
TEL: +49 5121 697370  
FAX: +49 5121 6973719  
vertrieb@hoshizaki.de

Hoshizaki Benelux - Niederlande, Belgien, Luxemburg  
TEL.: +31 85 018 83 70  
info@hoshizaki.nl

Hoshizaki France - Frankreich  
TEL.: +33 1 48 63 93 80  
FAX: +33 1 48 63 93 88  
info@hoshizaki.fr

Hoshizaki Italia - Italien  
TEL.: +39 344 0616467  
TEL.: +39 348 3022156  
info@hoshizaki.it

Hoshizaki Iberia - Spanien, Portugal  
TEL.: +34 93 478 09 52  
FAX: +34 93 478 08 00  
info@hoshizaki.es

Hoshizaki Europe B.V. - alle übrigen Länder in Europa und  
Afrika  
TEL.: +31 20 6918499  
FAX: +31 20 6918768  
sales@hoshizaki.nl

#### Asien, Ozeanien

Hoshizaki Singapore  
TEL: +65 6225 2612  
FAX: +65 6225 3219  
sales@hoshizaki.com.sg (Vertrieb)  
serviceadmin@hoshizaki.com.sg (technische Unterstützung)

Hoshizaki Hong Kong  
TEL: +852 2866 2108  
FAX: +852 2866 2109

Hoshizaki Taiwan  
TEL: +886 2 2706 8818  
FAX: +886 2 2708 7999

Hoshizaki Lancer  
TEL: +61 8 8268 1388  
FAX: +61 8 8268 1978

## TECHNISCHE DATEN

Modell	IM-130ANE-HC	IM-240ANE-HC
Typ	Luftgekühlt, Würfeleis	Luftgekühlt, Würfeleis
Stromversorgung	1-phasig 220-240 V, 50 Hz	1-phasig 220-240 V, 50 Hz
Anschlussleistung	635 W	930 W
Eisproduktion in 24 Std.	110 kg (5 mm) / 125 kg (15 mm) (Umgebungstemp. 10 °C, Wassertemp. 10 °C)	195 kg (5 mm) / 210 kg (15 mm) (Umgebungstemp. 10 °C, Wassertemp. 10 °C)
Abmessungen	560 mm (B) x 700 mm (T) x 880 mm (H)	560 mm (B) x 700 mm (T) x 880 mm (H)
Kältemittel	R290, 110 g	R290, 147 g
Isolierschaum-Treibmittel	Nicht anwendbar	Nicht anwendbar
Gewicht	Netto: 68 kg (Brutto: 79 kg)	Netto: 78 kg (Brutto: 89 kg)
Umgebungstemp.	1 - 40 °C	1 - 40 °C
Wasserzufuhrtemp.	5 - 35 °C	5 - 35 °C
Wasserzufuhrdruck	0,07 - 0,78 MPa (0,7 - 8 bar)	0,07 - 0,78 MPa (0,7 - 8 bar)
Versorgungsspannungsbereich	Nennspannung ± 6 %	Nennspannung ± 6 %

Modell	IM-240AWNE-HC
Typ	Wassergekühlt, Würfeleis
Stromversorgung	1-phasig 220-240 V, 50 Hz
Anschlussleistung	800 W
Eisproduktion in 24 Std.	190 kg (5 mm) / 205 kg (15 mm) (Umgebungstemp. 10 °C, Wassertemp. 10 °C)
Abmessungen	560 mm (B) x 700 mm (T) x 880 mm (H)
Kältemittel	R290, 147 g
Isolierschaum-Treibmittel	Nicht anwendbar
Gewicht	Netto: 83 kg (Brutto: 95 kg)
Umgebungstemp.	1 - 40 °C
Wasserzufuhrtemp.	5 - 35 °C
Wasserzufuhrdruck	0,07 - 0,78 MPa (0,7 - 8 bar)
Versorgungsspannungsbereich	Nennspannung ± 6 %

Hinweis: die oben stehenden Angaben gelten für die Standard-Modelle.

**BELANGRIJKE VEILIGHEIDSINFORMATIE**

Overal in deze handleiding treft u opmerkingen aan die uw aandacht willen vestigen op situaties die zouden kunnen resulteren in overlijden, ernstig letsel of schade aan de machine.

<b>▲WAARSCHUWING</b>	Geeft een gevaarlijke situatie aan die, als deze niet wordt vermeden, zou kunnen resulteren in overlijden of ernstig letsel.
<b>▲VOORZICHTIG</b>	Geeft een gevaarlijke situatie aan die, als deze niet wordt vermeden, zou kunnen resulteren in licht of middelzwaar letsel.
<b>LET OP</b>	Geeft een gevaarlijke situatie aan die, als deze niet wordt vermeden, zou kunnen resulteren in schade aan de machine.
<b>▲HYGIËNE</b>	Geeft belangrijke voorzorgsmaatregelen aan met betrekking tot de hygiëne en voedselveiligheid.
<b>BELANGRIJK</b>	Geeft belangrijke informatie aan over het gebruik en de verzorging van de machine.

Deze ijsmachine gebruikt een HFC-vrij koelmiddel (propan) dat niet schadelijk is voor de ozonlaag, duurzaam is en een zeer beperkt aardopwarmingsvermogen heeft.

<b>▲WAARSCHUWING</b>	
Het koelsysteem van deze ijsmachine bevat ontvlambaar koelmiddel; installatie, gebruik, onderhoud en verwijdering mogen daarom uitsluitend worden uitgevoerd door erkende technici.	
Het koelmiddel in deze ijsmachine is ontvlambaar en verzegeld in het koelsysteem. Hoewel het koelmiddel onder normale omstandigheden niet lekt, dient u de ijsmachine met de grootste mogelijke zorg te behandelen om te voorkomen dat u het systeem beschadigt.	
In het geval van onopzettelijke schade aan het koelsysteem waardoor koelmiddel wegloopt: * Creëer geen ontstekingsbron in de buurt. * Bedien geen elektrische schakelaars of stopcontacten in de buurt. * Gebruik geen naakte vlam. * Ventileer de ruimte direct door het openen van deuren en/of ramen. * Bel een servicetechnicus.	
<b>BELANGRIJK</b>	
Dit boekje vormt een integraal en essentieel onderdeel van het product en moet goed worden bewaard door de gebruiker.	
Lees de richtlijnen en waarschuwingen in dit boekje zorgvuldig door, aangezien deze bedoeld zijn om de gebruiker van essentiële informatie te voorzien met betrekking tot duurzaam veilig gebruik en onderhoud van het product. Bovendien biedt het <b>UITSLUITEND ADVIEZEN</b> voor de gebruiker ten aanzien van de juiste bediening en de juiste locatie van de ijsmachine.	
Bewaar dit boekje zodat u het later, indien nodig, opnieuw kunt raadplegen.	

## ▲ WAARSCHUWING

Dit is een ijsmachine voor commerciële doeleinden en dit apparaat dient uitsluitend te worden gebruikt voor de toepassingen waarvoor het is ontworpen en te worden bevestigd aan een geschikte opslagbunker zoals dit door Hoshizaki is opgegeven.

Enige andere vorm van gebruik wordt als ongeschikt en dus gevaarlijk beschouwd. De fabrikant kan niet aansprakelijk of verantwoordelijk worden gesteld voor enige schade die ontstaat door ongeschikt, incorrect en onredelijk gebruik.

**De installatie en eventuele verplaatsing van de ijsmachine mag uitsluitend door gekwalificeerd personeel** en overeenkomstig de plaatselijk geldende voorschriften worden uitgevoerd, waarbij de instructies van de fabrikant dienen te worden gevolgd.

Houd ventilatieopeningen, zowel in de behuizing van de machine als in de inbouwstructuur, vrij van obstakels.

Gebruik geen mechanische apparaten of andere methoden om het ontdooiproces te versnellen dan de methoden die door de fabrikant worden aanbevolen.

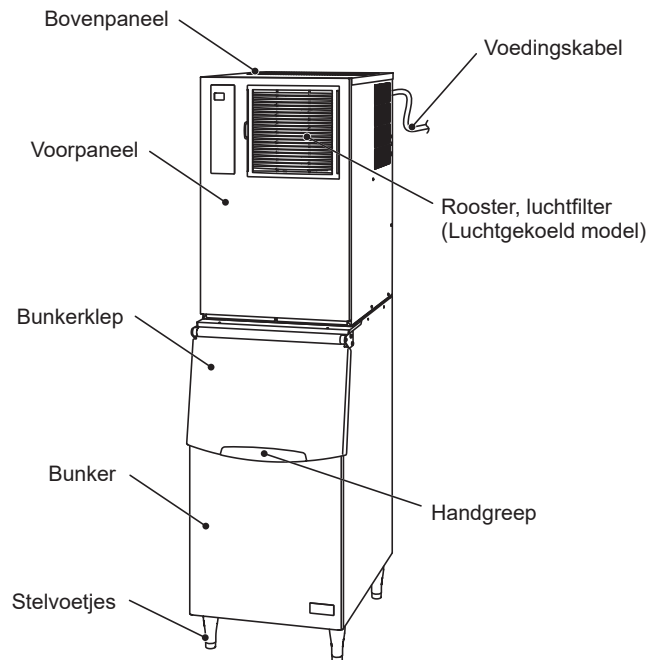
Bij het gebruik van elektrische apparaten moeten bepaalde regels in acht worden genomen. In het bijzonder:

- \* Vocht en hoge luchtvochtigheid verhogen de kans op kortsluiting en elektrische schokken. Trek de stekker van de ijsmachine uit het stopcontact als u niet zeker bent van de condities in de ruimte waar de ijsmachine is geplaatst.
- \* Voorkom beschadiging van de voedingskabel en trek uitsluitend aan de stekker en niet aan de voedingskabel zelf als u de ijsmachine van de netvoeding wilt loskoppelen.
- \* Als de voedingskabel beschadigd is, moet deze worden vervangen door een vervangende kabel die verkrijgbaar is bij de onderdelen- en servicecentra van Hoshizaki.
- \* Raak de elektrische onderdelen of de schakelaars niet met vochtige handen aan.
- \* Dit apparaat is niet bedoeld om te worden gebruikt door personen (waaronder kinderen) met een verminderde lichamelijke, zintuiglijke of mentale capaciteit of een gebrek aan ervaring en kennis. Het kan echter wel worden gebruikt door kinderen vanaf 8 jaar en door personen met een verminderde lichamelijke, zintuiglijke of mentale capaciteit of een gebrek aan ervaring en kennis, mits zij onder toezicht staan van een persoon die verantwoordelijk is voor hun veiligheid of deze persoon hen instrueert hoe het apparaat te gebruiken.
- \* Kinderen mogen niet met het apparaat spelen.
- \* Reiniging en gebruikersonderhoud mag niet zonder toezicht door kinderen worden uitgevoerd.
- \* Probeer niet de ijsmachine aan te passen. Alleen bevoegd personeel mag het apparaat demonteren of repareren.



## I. INSTALLATIE-INSTRUCTIES

### 1. CONSTRUCTIE



### 2. PLAATSING

#### ⚠ WAARSCHUWING

Deze ijsmachine is niet bestemd voor gebruik buitenshuis.

De ijsmachine mag niet naast een oven, grill of andere apparatuur die veel warmte afgeeft worden geplaatst.

Deze machine is niet geschikt om in een ruimte te worden geïnstalleerd die met een waterstraal wordt schoongespoten.

In sommige zeer vochtige omgevingen kan condensvorming optreden in de machine die vervolgens op de vloer driipt. Installeer de ijsmachine niet in een ruimte waar de vloer kan worden aangetast door water.

#### ⚠ VOORZICHTIG

De ijsmachine moet waterpas op een stevige ondergrond worden geplaatst.

#### LET OP

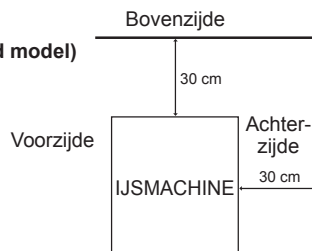
Plaats geen andere apparaten of voorwerpen bovenop de ijsmachine of voor de ventilatieopening.

#### BELANGRIJK

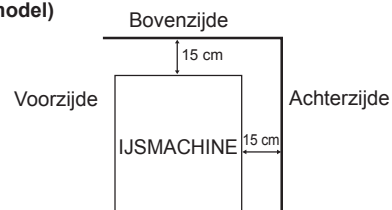
De normale omgevingstemperatuur bij bedrijf moet tussen 1 °C en 40 °C liggen. Er mag uitsluitend koud water worden toegevoerd. Bediening van de ijsmachine gedurende langere perioden buiten dit normale temperatuurbereik kan de productiecapaciteit beïnvloeden.

Houd aan de bovenkant de vrije ruimte aan die hieronder staat vermeld. Dit zorgt voor een optimale luchtcirculatie en vergemakkelijkt onderhouds- en/of reparatiewerkzaamheden.

Zijaanzicht  
(Luchtgekoeld model)



Zijaanzicht  
(Watergekoeld model)



Voorkom langdurige blootstelling van de machine aan direct zonlicht.

## 3. ELEKTRISCHE AANSLUITINGEN

### ▲ WAARSCHUWING

#### DEZE MACHINE MOET WORDEN GEAARD

Deze ijsmachine moet worden geaard volgens de geldende voorschriften.

Verwijder de stekker uit het stopcontact voordat u onderhouds-, reparatie- of reinigingswerkzaamheden gaat uitvoeren.

- \* De hoofdzekering van de besturingskast heeft een nominale waarde van 5 A en mag alleen worden vervangen door een erkende onderhoudsmonteur.
- \* Normaalgesproken dient men te beschikken over de juiste vergunningen en/of de hulp in te roepen van een erkend elektricien.

#### Alleen voor het Verenigd Koninkrijk en Ierland:

- \* De draden van de netvoeding hebben een kleurcode:

Groen/geel = aarde

Blauw = neutraal

Bruin = stroomvoerend

Als de gekleurde draden in de voedingskabel van deze machine zijn aangesloten op stekkerpolen met een afwijkende kleur, dient u het volgende te doen:

Sluit de groen/gele draad in de stekker aan op de groen/gele of groene stekkerpool of anders op de stekkerpool die is aangeduid met de letter E of het symbool  $\perp$ . Sluit de blauwe draad aan op de zwarte stekkerpool of op de stekkerpool die is aangeduid met de letter N. Sluit de bruine draad aan op de rode stekkerpool of op de stekkerpool die is aangeduid met de letter L.

- \* Als het stopcontact waarop u de ijsmachine wilt aansluiten niet geschikt is voor de stekker die aan de voedingskabel van de ijsmachine zit, dient de stekker te worden verwijderd (een gegoten stekker wordt afgesneden) en vervangen door een geschikte stekker.

De gegoten stekker die van de voedingskabel is afgesneden, moet worden weggegooid. Hij mag niet opnieuw worden gebruikt. Wanneer deze stekker elders in een stopcontact wordt gestoken, zorgt dit voor een groot risico van elektrische schokken.

- \* De gegoten stekker mag uitsluitend in combinatie met een zekeringhouder worden gebruikt.

Het referentienummer van de fabrikant is in de stekker ingeslagen. In geval u de zekeringhouder vervangt, dient een vervangend exemplaar van hetzelfde type te worden gebruikt.

Zekeringhouders zijn te verkrijgen via de onderdelen- en servicecentra van Hoshizaki.

Gebruik zekeringen van 13 A die zijn goedgekeurd volgens BS 1362.

## 4. AANSLUITING VAN WATERTOEOVOER- EN WATERAFVOERLEIDINGEN

### ▲ WAARSCHUWING

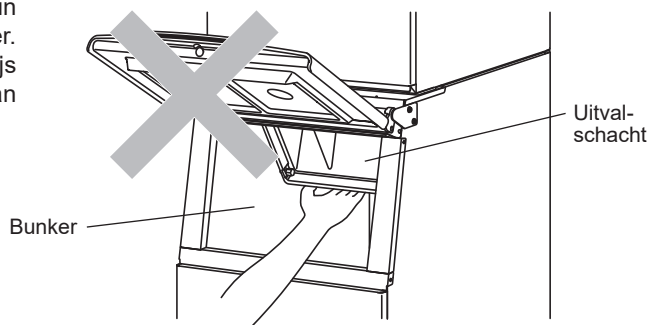
Mag alleen worden aangesloten op een drinkwaterleiding voor koud water.

- \* De aansluitingen aan de drinkwaterleiding moeten worden uitgevoerd in overeenstemming met de huidige vereisten van het land in de regelgeving met betrekking tot watertoevoer of -accessoires.
- \* Het water om ijs mee te maken moet drinkwater zijn. Waar vorming van ketelsteen kan optreden ten gevolge van de waterkwaliteit:
  - Installatie van een extern filter of zachtmaker wordt aanbevolen. Neem contact op met uw plaatselijke waterbehandelingsspecialist of Hoshizaki-servicebedrijf.
  - Overschakelen naar de modus "volledig doorspoelen" wordt aanbevolen. Neem contact op met uw plaatselijke Hoshizaki-servicebedrijf.
- \* In sommige gebieden kan een loodgietersvergunning of het inschakelen van een erkend loodgieter verplicht zijn.

## II. BEDIENINGSINSTRUCTIES

### ⚠ VOORZICHTIG

Stap niet in de opslagbunker en steek uw handen nooit achter in de opslagbunker of de uitvalschacht boven op de opslagbunker. Er kan ijs van de ijsmachine vallen, er kan een hard blok ijs plotseling afbreken of het mechanisme voor ijsproductie kan plotseling bewegen, met letsel als gevolg.



### LET OP

Alle onderdelen zijn in de fabriek afgesteld. Onjuiste aanpassingen kunnen leiden tot storingen.

Om schade aan de compressor te voorkomen, dient u minstens 3 minuten te wachten met het opnieuw inschakelen van de ijsmachine nadat deze is uitgeschakeld.

### ⚠ HYGIËNE

Deze ijsmachine is bestemd voor de productie van consumptieijs. Neem de volgende punten in acht om de ijsmachine schoon te houden:

- \* Was uw handen voordat u ijs uit het apparaat verwijdert. Gebruik de meegeleverde kunststof schep (toebehoren).
- \* De bunker is uitsluitend bestemd voor de opslag van ijs. Bewaar geen andere zaken in de bunker en gebruik geen elektrische apparaten in de bunker.
- \* Maak voor ingebruikname van de ijsmachine eerst de bunker schoon (zie "III 1. REINIGEN").
- \* Houd de schep schoon. Gebruik voor het reinigen een neutraal reinigingsmiddel en spoel grondig na.
- \* Sluit de bunkerklep onmiddellijk nadat u ijs heeft geschept om te voorkomen dat stof, vuil of insecten in de bunker terechtkomen.

## 1. OPSTARTEN

Gewoonlijk wordt de ijsmachine door de installateur in gebruik genomen, waarbij de automatische ijsproductie wordt gestart. Controleer het volgende om een continue werking te waarborgen:

- \* De waterkraan moet openstaan en
- \* De ijsmachine moet zijn aangesloten op de voeding.

## 2. DE IJSMAKER GEREEDMAKEN VOOR LANGDURIGE OPSLAG

### LET OP

Deze ijsmachine werkt niet bij temperaturen onder het vriespunt. Voorkom schade aan de watertoevoerleiding door het water uit het systeem af te tappen zodra de luchttemperatuur onder 0 °C daalt.

### ⚠ HYGIËNE

Als de ijsmachine twee dagen of langer wordt uitgeschakeld, tapt u het water af uit de ijsmachine om verontreiniging in het watercircuit te voorkomen.

- 1) Haal de stekker van de ijsmachine uit het stopcontact of sluit de stroomtoevoer af.
- 2) Draai de watertoevoer kraan dicht en verwijder de toevoerslang.
- 3) Verwijder alle ijs uit de bunker en maak de bunker schoon.
- 4) Vraag een gekwalificeerde medewerker het water af te tappen uit de ijsmachine.

## III. ONDERHOUD

### 1. REINIGEN

#### ⚠ WAARSCHUWING

Haal de stekker van de ijsmachine uit het stopcontact voordat u met schoonmaak- of onderhoudswerkzaamheden begint.

Deze machine mag niet worden gereinigd met behulp van een waterstraal of hogedrukreiniger.

#### ⚠ VOORZICHTIG

Bij gebruik van een neutraal schoonmaakmiddel of natriumhypochloriet leest u de meegeleverde instructies zorgvuldig door totdat u deze begrijpt om mogelijke gezondheidsproblemen te voorkomen.

#### LET OP

Het watersysteem van de ijsmachine moet minstens tweemaal per jaar worden gereinigd en gezuiverd door een professioneel onderhoudsmonteur. Daarnaast moet de condensor minstens eenmaal per jaar worden gecontroleerd en gereinigd.

Voorkom mogelijke schade door de kunststof onderdelen niet met water warmer dan 40 °C of in een afwasmachine te reinigen.

#### [a] Machine en buitenkant bunker

Reinig de buitenkant van de ijsmachine minstens eenmaal per week met een schone, zachte doek. Gebruik een vochtige doek met wat neutraal reinigingsmiddel voor het verwijderen van vet en vuil.

#### [b] Reiniging/ontsmetting van ijsschep en handgreep van ijsbunker (dagelijks)

- 1) Meng 1 liter water met 4 ml 5,25% natriumhypochlorietoplossing in een geschikte houder of gebruik een door Hoshizaki aanbevolen ontsmettingsmiddel.
- 2) Week de schep gedurende meer dan 3 minuten in de oplossing. Spoel het rooster zorgvuldig af met water en schud om overtollig water te verwijderen.

Opmerking: door het gebruik van een doek kan de schep opnieuw vuil worden.

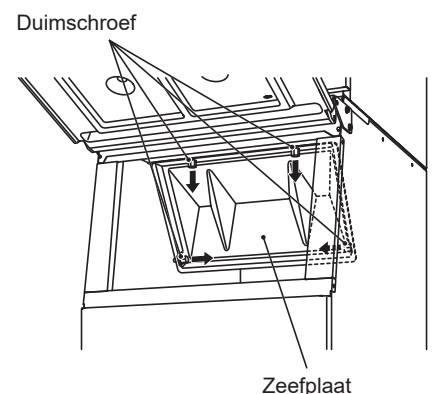
- 3) Gebruik een neutraal schoonmaakmiddel voor de handgreep van de ijsbunker. Spoel de onderdelen zorgvuldig af.
- 4) Dompel een schoonmaakdoek in de ontsmettingsoplossing en veeg de handgreep hiermee af. Gebruik schoon water om na te spoelen en droog de handgreep met een schone doek.

#### [c] Reiniging/ontsmetting van binnenzijde bunker (wekelijks)

- 1) Open de bunkerklep en verwijder al het ijs uit de bunker.

Opmerking: Hoshizaki raadt verscheidene soorten bunkers voor de ijsmachine aan. Deze variëren in grootte en ontwerp. De volgende instructies dienen daarom te worden beschouwd als globale richtlijnen.

- 2) Verwijder de schroeven waarmee de zeefplaat is bevestigd.
- 3) Verwijder de zeefplaat uit de bunker.
- 4) Reinig de binnenzijde van de bunker en de zeefplaat met een neutraal, niet-schurend reinigingsmiddel. Spoel de onderdelen zorgvuldig af.
- 5) Meng 5 liter water met 18 ml 5,25% natriumhypochlorietoplossing in een geschikte houder of gebruik een door Hoshizaki aanbevolen ontsmettingsmiddel.
- 6) Dompel een schone spons of doek in de oplossing en veeg de binnenzijde van de bunker en de zeefplaat schoon.
- 7) Plaats de zeefplaat terug en draai de schroeven vast. Veeg de bunkerklep en de schroeven af met de reinigingsoplossing. Sluit de bunkerklep.



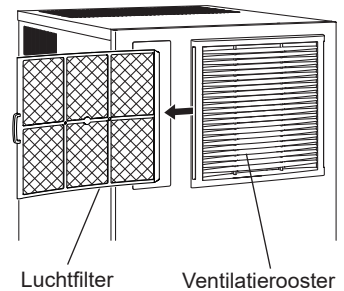
8) De resterende oplossing kan worden gebruikt voor het ontsmetten van gebruiksvoorwerpen.

Opmerking: veeg of spoel voorwerpen niet af nadat u ze hebt ontsmet, maar laat ze drogen in de lucht.

## [d] Luchtfilter (alleen luchtgekoeld model)

Kunststof luchtfilters halen vuil en stof uit de lucht en voorkomen dat de condensor verstopt raakt. Als de filters verstopt raken, gaat de ijsmachine minder goed werken. Het luchtfilter of de luchtfilters moeten minstens tweemaal per maand worden verwijderd en gereinigd:

- 1) Schuif het luchtfilter van het ventilatierooster.
- 2) Reinig het luchtfilter met behulp van een stofzuiger. Gebruik bij ernstige vervuiling warm water en een neutraal schoonmaakmiddel om het luchtfilter schoon te maken.
- 3) Spoel het luchtfilter schoon en droog het zorgvuldig af.



### LET OP

Plaats het luchtfilter na reiniging weer terug.

## 2. VOORDAT U BELT VOOR SERVICE

### ⚠ WAARSCHUWING

Beschadig het koelmiddelcircuit niet.

### [a] Indicatie van foutcode

Als de foutcode "IE" wordt aangegeven op het display, controleert u het volgende voordat u contact opneemt met de serviceorganisatie.

Code	Oplossing
<b>E1</b>	Fout tijdens vriezen. Verwijder de stekker van de machine uit het stopcontact en plaats de stekker na 3 minuten weer terug. Reinig het luchtfilter (luchtgekoeld model). Verlaag de omgevingstemperatuur of zorg voor voldoende vrije ruimte rond de machine (zie "1 2. PLAATSING"). Als de fout blijft optreden, belt u voor service.
<b>E2</b>	Fout tijdens ontdooien. Verwijder de stekker van de machine uit het stopcontact en plaats de stekker na 3 minuten weer terug. Als de fout blijft optreden, belt u voor service.
<b>EE</b>	Andere fout. Verwijder de stekker van de machine uit het stopcontact en plaats de stekker na 3 minuten weer terug. Reinig het luchtfilter (luchtgekoeld model). Controleer op storing in de watertoevoer of op een gesloten watertoevoer kraan. Verlaag de omgevingstemperatuur of zorg voor voldoende vrije ruimte rond de machine (zie "1 2. PLAATSING"). Als de fout blijft optreden, belt u voor service.
<b>EF</b>	Mogelijk gaslek. Raak de machine niet aan. Ventileer de ruimte en bel onmiddellijk voor service.

### [b] Geen indicatie foutcode

Als de ijsmachine niet goed of helemaal niet werkt en er wordt geen foutcode aangegeven op het display, controleert u het volgende voordat u contact opneemt met de serviceorganisatie:

- \* De machine heeft stroom.
- \* De watertoevoer is ingeschakeld.
- \* Het luchtfilter is schoon (luchtgekoeld model).
- \* Het koelwatercircuit stroomt op de juiste manier (watergekoeld model).

Neem voor nadere assistentie of advies contact op met uw plaatselijke Hoshizaki-serviceagent.

### [c] Indicatie van alarmcode

Als de alarmcode A1 of A2 wordt weergegeven, is mogelijk de gassensor defect. Neem contact op met uw plaatselijke Hoshizaki-servicebedrijf.

## 3. VERWIJDERING

Houd u aan de lokale voorschriften met betrekking tot de verwijdering van het apparaat en zijn koelmiddelgas. Verwijder voordat u het apparaat afvoert de klep, om te voorkomen dat kinderen beklemd kunnen raken.

Juiste verwijdering van dit product:

Deze markering geeft aan dat dit product binnen de EU niet samen met ander huishoudelijk afval mag worden afgevoerd. Teneinde mogelijke milieuschade of schade aan de menselijke gezondheid ten gevolge van ongecontroleerde afvoer van afvalstoffen te vermijden, dient u het apparaat op verantwoorde wijze te recyclen om het duurzame hergebruik van materialen mogelijk te maken. U kunt uw gebruikte apparaat terugsturen via de bestaande systemen voor retournering en inzameling, of u kunt contact opnemen met de detailhandelaar waar het product is aangeschaft. Zij kunnen dit product innemen voor milieuveilige recycling.



## 4. GARANTIE

Hoshizaki garandeert de oorspronkelijke eigenaar/gebruiker dat alle producten van het merk Hoshizaki vrij zijn van materiaal- en/of productiefouten voor de duur van de "garantieperiode". De garantie is twee jaar geldig gerekend vanaf de installatiedatum. De aansprakelijkheid van Hoshizaki in het kader van de garantie is beperkt en omvat geen routineonderhoud, reiniging, essentieel onderhoud en/of reparaties ten gevolge van onjuist gebruik en installaties die niet volgens de richtlijnen van Hoshizaki zijn uitgevoerd.

Reparaties in het kader van de garantie moeten worden uitgevoerd door een goedgekeurde Hoshizaki-dealer of serviceorganisatie met behulp van authentieke Hoshizaki-onderdelen.

Voor volledige informatie over uw garantie en over goedgekeurde servicebedrijven, raadpleegt u uw dealer/leverancier of de dichtstbijzijnde vestiging van Hoshizaki.

### Europa, Midden-Oosten, Afrika

Hoshizaki UK - VK, Ierland  
TEL: +44 845 456 0585  
FAX: +44 132 283 8331  
uksales@hoshizaki.uk

Hoshizaki Middle East - Midden-Oosten  
TEL: +971 48 876 612  
FAX: +971 48 876 613  
sales@hoshizaki.ae

Hoshizaki Deutschland - Duitsland, Zwitserland, Oostenrijk, Polen, Tsjechië, Slowakije  
TEL: +49 5121 697370  
FAX: +49 5121 6973719  
vertrieb@hoshizaki.de

Hoshizaki Benelux - Nederland, België, Luxemburg  
TEL: +31 85 018 83 70  
info@hoshizaki.nl

Hoshizaki France - Frankrijk  
TEL: +33 1 48 63 93 80  
FAX: +33 1 48 63 93 88  
info@hoshizaki.fr

Hoshizaki Italia - Italië  
TEL: +39 344 0616467  
TEL: +39 348 3022156  
info@hoshizaki.it

Hoshizaki Iberia - Spanje, Portugal  
TEL: +34 93 478 09 52  
FAX: +34 93 478 08 00  
info@hoshizaki.es

Hoshizaki Europe B.V. - alle overige landen binnen Europa en Afrika  
TEL: +31 20 6918499  
FAX: +31 20 6918768  
sales@hoshizaki.nl

### Azië, Oceanië

Hoshizaki Singapore  
TEL: +65 6225 2612  
FAX: +65 6225 3219  
sales@hoshizaki.com.sg (Sales)  
serviceadmin@hoshizaki.com.sg (Technische ondersteuning)

Hoshizaki Hong Kong  
TEL: +852 2866 2108  
FAX: +852 2866 2109

Hoshizaki Taiwan  
TEL: +886 2 2706 8818  
FAX: +886 2 2708 7999

Hoshizaki Lancer  
TEL: +61 8 8268 1388  
FAX: +61 8 8268 1978

## SPECIFICATIES

Model	IM-130ANE-HC	IM-240ANE-HC
Type	Luchtgekoeld, ijsblokjes	Luchtgekoeld, ijsblokjes
Stroomvoorziening	1 fase 220 - 240 V 50 Hz	1 fase 220 - 240 V 50 Hz
Stroomverbruik	635 W	930 W
IJsproductie per 24 uur	110 kg (5 mm)/125 kg (15 mm) (omgevingstemp. 10 °C, watertemp. 10 °C)	195 kg (5 mm)/210 kg (15 mm) (omgevingstemp. 10 °C, watertemp. 10 °C)
Afmetingen	560 mm (B) x 700 mm (D) x 880 mm (H)	560 mm (B) x 700 mm (D) x 880 mm (H)
Koelmiddel	R290, 110 gram	R290, 147 gram
Blaasmiddel voor isolatieschuim	Niet toepasbaar	Niet toepasbaar
Gewicht	Netto: 68 kg (bruto: 79 kg)	Netto: 78 kg (bruto: 89 kg)
Omgevingstemperatuur	1 - 40 °C	1 - 40 °C
Watertemperatuur	5 - 35 °C	5 - 35 °C
Waterdruk	0,07 - 0,78 MPa (0,7 - 8 bar)	0,07 - 0,78 MPa (0,7 - 8 bar)
Spanningsbereik	Nominale spanning ± 6%	Nominale spanning ± 6%

Model	IM-240AWNE-HC
Type	Watergekoeld, ijsblokjes
Stroomvoorziening	1 fase 220 - 240 V 50 Hz
Stroomverbruik	800 W
IJsproductie per 24 uur	190 kg (5 mm)/205 kg (15 mm) (omgevingstemp. 10 °C, watertemp. 10 °C)
Afmetingen	560 mm (B) x 700 mm (D) x 880 mm (H)
Koelmiddel	R290, 147 gram
Blaasmiddel voor isolatieschuim	Niet toepasbaar
Gewicht	Netto: 83 kg (bruto: 95 kg)
Omgevingstemperatuur	1 - 40 °C
Watertemperatuur	5 - 35 °C
Waterdruk	0,07 - 0,78 MPa (0,7 - 8 bar)
Spanningsbereik	Nominale spanning ± 6%

Opmerking: bovenstaande specificaties zijn voor de standaardmodellen.

## INFORMACIÓN IMPORTANTE DE SEGURIDAD

A lo largo de este manual aparecerán avisos para llamar su atención sobre situaciones que podrían tener como consecuencia la muerte, heridas graves o daños en la unidad.

<b>▲ADVERTENCIA</b>	Indica una situación peligrosa que, de no evitarse, podría tener como resultado la muerte o heridas graves.
<b>▲ATENCIÓN</b>	Indica una situación peligrosa que, de no evitarse, podría tener como resultado heridas leves o moderadas.
<b>AVISO</b>	Indica una situación peligrosa que, de no evitarse, podría tener como resultado daños en la unidad.
<b>▲HIGIENE</b>	Indica precauciones importantes para la higiene y la seguridad de la comida.
<b>IMPORTANTE</b>	Indica información importante acerca del uso y el cuidado de la unidad.

Esta máquina de hielo utiliza refrigerante (propano) sin HFC, ecológicamente sostenible; lo que significa que no contribuye de modo negativo a la reducción de la capa de ozono ni potencia el calentamiento global.

<b>▲ADVERTENCIA</b>
Esta máquina de hielo contiene refrigerante inflamable en la unidad de refrigeración; por tanto, la instalación, la manipulación, el mantenimiento y la eliminación deben llevarse a cabo únicamente por técnicos autorizados.
El refrigerante que contiene esta máquina de hielo es inflamable y se halla aislado de modo estanco en el sistema de refrigeración. A pesar de que el riesgo de fugas de refrigerante durante el uso normal sea mínimo, extreme las precauciones al manipular la máquina de hielo para evitar causar daños al sistema.
En caso de daños accidentales en el sistema de refrigeración que provoquen una fuga de refrigerante: * No cree una fuente de ignición en la zona. * No utilice interruptores eléctricos o enchufes en la zona. * No utilice una llama descubierta. * Ventile el área de forma inmediata abriendo puertas y ventanas. * Llame al ingeniero del servicio técnico.

<b>IMPORTANTE</b>
Este folleto es una parte integral y esencial del producto y el usuario debe guardarlo en buenas condiciones.
Por favor, lea atentamente las indicaciones y observaciones de este folleto, que se proponen ofrecer al usuario toda la información esencial para el uso seguro y el mantenimiento del producto. Además, ofrece al usuario ÚNICAMENTE ASESORAMIENTO para realizar correctamente la instalación, el mantenimiento y las reparaciones de la máquina de hielo.



Por favor, guarde este folleto para cualquier futura consulta que sea necesaria.

## ▲ADVERTENCIA

Esta máquina de hielo comercial solo debe utilizarse para los fines para los que ha sido expresamente diseñada. Asimismo, deberá acoplarse a la cuba de almacenamiento que corresponda según las especificaciones de Hoshizaki.

Cualquier otra utilización deberá considerarse inadecuada y, por lo tanto, potencialmente peligrosa. El fabricante no será responsable de ningún daño causado por un uso incorrecto, inadecuado o irracional.

**La instalación y, si fuera necesario, la reubicación, deben ser realizadas únicamente por personal cualificado**, de acuerdo con la normativa vigente y con las instrucciones del fabricante.

Mantenga los orificios de ventilación, de la carcasa de la máquina o de la estructura integrada, libres de cualquier obstrucción.

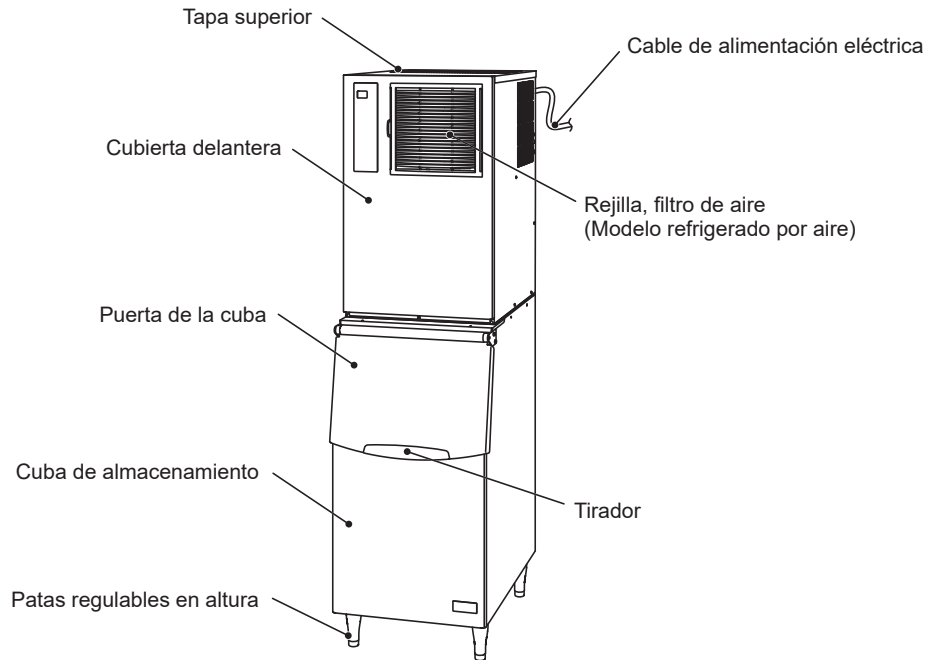
No haga uso de dispositivos mecánicos ni de otros medios distintos de los recomendados por el fabricante para acelerar el proceso de descongelación.

El uso de cualquier aparato eléctrico requiere tener presentes algunas normas fundamentales. En particular:

- \* Un alto grado de humedad incrementa el riesgo potencial de cortocircuitos y de descargas eléctricas. En caso de duda, desconecte la máquina de hielo.
- \* No dañe el cable de alimentación eléctrica ni tire de este para desconectar la máquina de hielo de la red eléctrica.
- \* Si se daña el cable de alimentación, deberá sustituirse por un cable de repuesto disponible en los centros de repuestos/servicio de Hoshizaki.
- \* No toque las partes eléctricas ni manipule los interruptores con las manos húmedas.
- \* Este aparato no está diseñado para ser utilizado por personas (incluidos niños) con capacidades físicas, sensoriales o mentales reducidas, o sin experiencia y conocimientos; no obstante, puede ser utilizado por niños de a partir de 8 años y por personas con las minusvalías antes especificadas siempre que se encuentren bajo la supervisión de una persona responsable de su seguridad.
- \* Los niños no deben jugar con el equipo.
- \* Los niños sin supervisión no deben realizar la limpieza ni el mantenimiento de usuario.
- \* No trate de modificar la máquina de hielo. El desmontaje o la reparación de la máquina solo debe ser realizado por personal cualificado.

## I. INSTRUCCIONES DE INSTALACIÓN

### 1. CONSTRUCCIÓN



### 2. UBICACIÓN

#### ⚠ ADVERTENCIA

Esta máquina de hielo no está diseñada para uso en el exterior.

La máquina de hielo no debe colocarse cerca de hornos, parrillas u otras fuentes de calor.

Este aparato no es apropiado para su instalación en una zona en la que pueda haber un chorro de agua.

Es posible que en algunos entornos con un nivel alto de humedad se forme condensación en el interior de la máquina y gotee en el suelo. No la instale en suelos sensibles al agua.

#### ⚠ ATENCIÓN

La máquina de hielo debe ubicarse sobre una base firme y nivelada.

#### AVISO

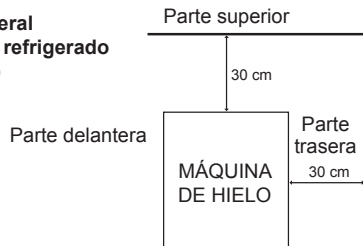
No coloque nada encima de la máquina de hielo ni delante de la rejilla.

#### IMPORTANTE

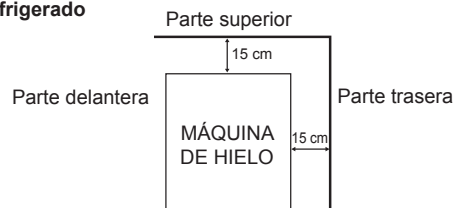
La temperatura ambiente normal de funcionamiento deberá oscilar entre 1 °C y 40 °C. La conexión al suministro de agua es únicamente para agua fría. La utilización de la máquina de hielo fuera de estos márgenes de temperatura normal por periodos prolongados puede afectar su capacidad de producción.

Deje el espacio especificado a continuación para permitir la circulación de aire y facilitar las eventuales operaciones de reparación o mantenimiento.

**Vista lateral  
(Modelo refrigerado  
por aire)**



**Vista lateral  
(Modelo refrigerado  
por agua)**



Evite la exposición prolongada del equipo a la luz del sol directa.

### 3. CONEXIONES ELÉCTRICAS

**⚠ ADVERTENCIA**

**ESTA MÁQUINA DEBE CONECTARSE A TIERRA**

Esta máquina de hielo requiere una conexión a tierra conforme a la normativa eléctrica nacional y local.

Antes de realizar operaciones de mantenimiento, reparación o limpieza, desconecte la unidad de la red eléctrica.

\* El fusible principal de la caja de control es de 5 A y solo debe sustituirlo un técnico de mantenimiento cualificado.

\* Normalmente son necesarios un permiso para obras eléctricas y los servicios de un electricista acreditado.

**Únicamente en el Reino Unido y la República de Irlanda**

\* Los hilos del cable de red están coloreados de acuerdo con el código siguiente:

Verde y amarillo = Tierra

Azul = Neutro

Marrón = Activo

Es posible que los colores de los hilos del cable de red de este equipo no se correspondan con las marcas de color que identifican los terminales del enchufe que se utilice. En ese caso, proceda del modo siguiente:

El hilo verde y amarillo se debe conectar al terminal del enchufe marcado con la letra E o con el símbolo  $\perp$ , o de color verde o de color verde-amarillo. El hilo azul debe conectarse al terminal marcado con la letra N o de color negro. El hilo marrón debe conectarse al terminal marcado con la letra L o de color rojo.

\* En caso de que las tomas de corriente del lugar donde se va a instalar no sean adecuadas para el enchufe que se suministra con el producto, debe sustituirse el enchufe (cortándolo si está moldeado) por uno adecuado.

Si la clavija no reutilizable se ha cortado del cable de alimentación, dicha clavija debe desecharse. No trate de reutilizarla. La introducción de esta clavija en cualquier toma de corriente representa un grave riesgo de descarga eléctrica.

\* La clavija no reutilizable no debe utilizarse nunca sin una tapa de fusibles montada.

El recambio correcto de la tapa de fusibles desmontable se identifica por el número de referencia del fabricante grabado en la propia clavija.

Puede obtener tapas de fusibles de repuesto en los centros de repuestos/servicio de Hoshizaki.

Los fusibles deben ser de 13 A y estar homologados según BS 1362.

### 4. SUMINISTRO DE AGUA Y CONEXIONES DE DRENAJE

**⚠ ADVERTENCIA**

Conecte la máquina únicamente a un suministro de agua fría potable.

\* La conexión a la red de suministro general de agua debe hacerse según la regulación vigente de cada país en materia de suministro de agua o racores.

\* El agua de la máquina de hielo debe ser potable. En los casos en los que la acumulación de sarro se deba a la calidad del agua:

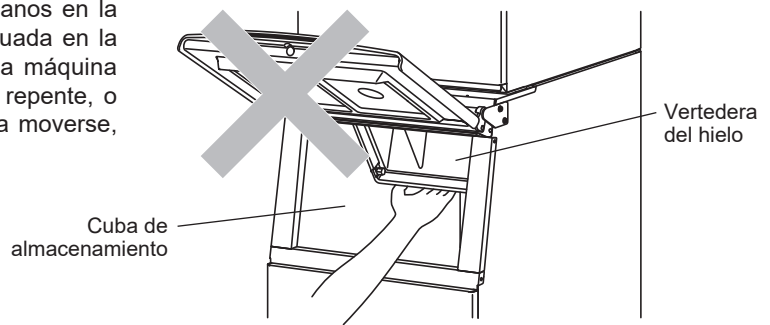
- Se recomienda la instalación de un descalcificador o un filtro externo. Póngase en contacto con un profesional en el tratamiento de aguas local o con un agente de servicio de Hoshizaki.
- Se recomienda el cambio al modo de "aclorado con drenaje completo". Póngase en contacto con el servicio técnico de Hoshizaki de su zona.

\* En algunas localidades pueden ser necesarios un permiso para obras de fontanería y los servicios de un fontanero acreditado.

## II. INSTRUCCIONES DE UTILIZACIÓN

### ⚠ ATENCIÓN

No pise la cuba de almacenamiento o ponga las manos en la parte trasera de esta ni en la vertedera de hielo situada en la parte superior de la cuba. Puede caerse hielo de la máquina de hielo o un bloque de hielo se puede romper de repente, o incluso el mecanismo de la máquina de hielo podría moverse, causándole una lesión.



### AVISO

Todos los componentes están ajustados de fábrica. Un ajuste incorrecto puede provocar averías.

Si desconecta la unidad, espere al menos 3 minutos antes de ponerla de nuevo en marcha para evitar que el compresor se averíe.

### ⚠ HIGIENE

Esta máquina de hielo ha sido diseñada para producir hielo comestible. Para mantener la higiene de la máquina:

- \* Lávese las manos antes de extraer hielo. Utilice la pala de plástico que se suministra (accesorio).
- \* La cuba de almacenamiento solo puede utilizarse para el hielo. No almacene en la cuba ninguna otra cosa ni utilice otros aparatos eléctricos en ella.
- \* Limpie la cuba de almacenamiento antes de utilizarla (véase "III 1. LIMPIEZA").
- \* Mantenga la pala limpia. Límpiela con un detergente neutro y aclárela bien.
- \* Cierre la puerta después de extraer hielo para evitar que entren suciedad, polvo o insectos en la cuba de almacenamiento.

## 1. PUESTA EN MARCHA

El instalador normalmente prepara la máquina de hielo para que arranque con el proceso automático de producción. Para garantizar el funcionamiento en régimen continuo, asegúrese de que:

- \* La llave de paso de agua está abierta y que
- \* La máquina de hielo está enchufada en la red de alimentación eléctrica.

## 2. PREPARACIÓN DE LA MÁQUINA DE HIELO PARA UN ALMACENAMIENTO PROLONGADO

### AVISO

Esta máquina de hielo no funciona a temperaturas inferiores al punto de congelación del agua. Para prevenir averías en la tubería de suministro de agua, drene la máquina de hielo cuando la temperatura del aire sea inferior a cero.

### ⚠ HIGIENE

Si va a tener la máquina de hielo apagada durante dos o más días, drénela para evitar la contaminación del circuito de agua.

- 1) Desenchufe la máquina de fabricación de hielo o desconecte la alimentación eléctrica.
- 2) Cierre la llave de paso del agua y desmonte la manguera de entrada.
- 3) Extraiga todo el hielo de la cuba de almacenamiento y límpiela.
- 4) Solicite a personal cualificado que realice el drenaje de la máquina de hielo.

## III. MANTENIMIENTO

### 1. LIMPIEZA

#### ⚠ ADVERTENCIA

Antes de realizar cualquier operación de limpieza o mantenimiento, desenchufe la máquina de hielo de la red eléctrica.

Esta máquina no debe limpiarse con un chorro de agua.

#### ⚠ ATENCIÓN

Si va a utilizar un detergente neutro o hipoclorito sódico, lea bien y asegúrese de entender las instrucciones proporcionadas para evitar posibles problemas de salud.

#### AVISO

Solicite a personal capacitado de mantenimiento la limpieza y esterilización del sistema de agua de la máquina de hielo al menos dos veces al año y la revisión y limpieza del condensador al menos una vez al año.

Para prevenir posibles averías, no limpie las piezas de plástico con agua a más de 40 °C ni en un lavavajillas.

#### [a] Exterior de la máquina y de la cuba

Limpie el exterior al menos una vez por semana con un trapo limpio y suave. Utilice un trapo humedecido con un detergente neutro para eliminar la grasa o la suciedad.

#### [b] Limpieza/esterilización de la pala y el asa de la cuba de almacenamiento (cada día)

1) Mezcle 1 litro de agua con 4 mL de una solución de hipoclorito sódico al 5,25% en un recipiente adecuado, o bien utilice el esterilizador de agua recomendado por Hoshizaki siguiendo las instrucciones.

2) Sumerja la pala en la solución durante más de 3 minutos. Aclárela con abundante agua y sacúdala para eliminar el exceso de líquido.

Nota: El uso de un trapo para secarla podría contaminarla.

3) Utilice un detergente neutro para lavar el asa de la cuba de almacenamiento. Aclárelo con abundante agua.

4) Empape un trapo limpio con la solución esterilizante y limpie el tirador. Utilice agua potable y un trapo limpio para aclarar/secar.

#### [c] Limpieza/esterilización del interior de la cuba de almacenamiento (cada semana)

1) Abra la puerta de la cuba de almacenamiento y extraiga todo el hielo.

Nota: Hoshizaki recomienda varios tipos de cubas de almacenamiento para la máquina de hielo que varían en tamaño y diseños. Por tanto, las siguientes instrucciones solo sirven como asesoramiento general.

2) Quite los tornillos de mariposa que fijan la compuerta.

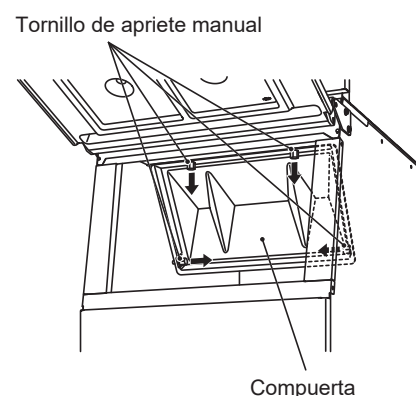
3) Quite la compuerta de la cuba de almacenamiento.

4) Lave el revestimiento de la cuba y la compuerta con un detergente neutro no abrasivo. Aclárelo con abundante agua.

5) Mezcle 5 litros de agua con 18 mL de una solución de hipoclorito sódico al 5,25% en un recipiente adecuado, o bien utilice el esterilizador de agua recomendado por Hoshizaki siguiendo las instrucciones.

6) Empape una esponja o un trapo limpio con la solución y páselo por el revestimiento y la puerta de la cuba de almacenamiento.

7) Vuelva a montar la compuerta y los tornillos de mariposa. Limpie la superficie de la puerta de la cuba de almacenamiento y los tornillos de mariposa con la solución. Cierre la puerta de la cuba.



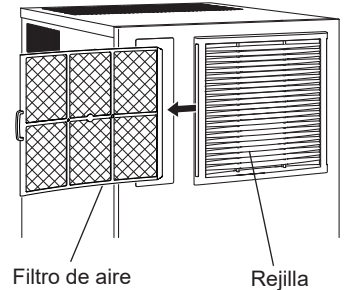
8) La solución restante puede utilizarse para esterilizar los utensilios.

Nota: No seque con un trapo ni aclare con agua después de la esterilización; deje que se seque al aire.

## [d] Filtro de aire (solo los modelos refrigerados por aire)

Los filtros de aire con malla de plástico eliminan la suciedad o el polvo del aire y evitan que el condensador se obstruya. Si el filtro se obstruye, el rendimiento de la máquina de hielo se reduce. Desmonte y limpie los filtros de aire al menos dos veces al mes:

- 1) Deslice el filtro de aire para desmontarlo de la rejilla.
- 2) Limpie el filtro de aire con un aspirador. Cuando el filtro de aire esté muy obstruido, utilice agua tibia y un detergente neutro para lavarlo.
- 3) Aclare y seque el filtro de aire cuidadosamente.



### AVISO

Tras la limpieza, asegúrese de volver a colocar el filtro de aire en su lugar.

## 2. ANTES DE LLAMAR AL SERVICIO TÉCNICO

### ⚠ ADVERTENCIA

No dañe el circuito del refrigerante.

### [a] Indicación del código de error

Si en la pantalla se visualiza el código de error "E", antes de llamar al servicio técnico compruebe lo siguiente.

Código	Solución
<b>E1</b>	Error de congelación. Desenchufe la unidad y vuelva a enchufarla transcurridos 3 minutos. Limpie el filtro de aire (modelo refrigerado por aire). Reduzca la temperatura ambiente o asegúrese de que no haya obstáculos alrededor de la unidad (consulte "1 2. UBICACIÓN"). Si el error persiste, llame al servicio de reparaciones.
<b>E2</b>	Error de descongelación. Desenchufe la unidad y vuelva a enchufarla transcurridos 3 minutos. Si el error persiste, llame al servicio de reparaciones.
<b>EE</b>	Otro error. Desenchufe la unidad y vuelva a enchufarla transcurridos 3 minutos. Limpie el filtro de aire (modelo refrigerado por aire). Compruebe que no haya ningún problema con el suministro de agua o que la llave de paso esté cerrada. Reduzca la temperatura ambiente o asegúrese de que no haya obstáculos alrededor de la unidad (consulte "1 2. UBICACIÓN"). Si el error persiste, llame al servicio de reparaciones.
<b>EF</b>	Posible fuga de gas. No toque la unidad. Ventile el área y, de forma inmediata, llame al servicio de reparaciones.

### [b] Sin indicación de código de error

Si la máquina de hielo no funciona correctamente o no funciona en absoluto y en la pantalla no aparece el código de error, antes de llamar al servicio de reparaciones compruebe que:

- \* La unidad está conectada a la red eléctrica.
- \* El agua está conectada.
- \* El filtro de aire está limpio (modelo refrigerado por aire).
- \* El circuito del agua de refrigeración tiene un flujo adecuado (modelo refrigerado por agua).

Para asistencia o asesoramiento adicionales, póngase en contacto con el agente de reparaciones local de Hoshizaki.

### [c] Indicación del código de alarma

Si aparece el código de alarma A1 o A2, puede que el sensor de gas esté defectuoso. Póngase en contacto con el servicio técnico de Hoshizaki de su zona.

## 3. ELIMINACIÓN

Siga las normativas locales aplicables a la eliminación de este equipo y el gas refrigerante que contiene. Antes de desechar el equipo, quite la puerta para evitar que niños queden atrapados dentro jugando.

Eliminación correcta de este producto:

Estas marcas indican que está prohibido eliminar este producto junto con otros desechos de uso doméstico en todo el territorio de la UE. Para evitar el posible daño al medioambiente o a la salud pública, provocado por la eliminación no controlada de desechos, recíclelos de forma responsable para fomentar la reutilización sostenible de los recursos materiales. Para devolver el dispositivo usado, utilice los sistemas de devolución y recogida o póngase en contacto con el punto de venta en el que adquirió el producto. El personal se encargará de que el producto se recicle respetando el medioambiente.



## 4. GARANTÍA

Hoshizaki garantiza al usuario/propietario que ninguno de los productos de su marca presentarán defectos de material o mano de obra durante la duración del "periodo de garantía". La garantía será efectiva durante dos años a partir de la fecha de instalación. La responsabilidad de Hoshizaki según los términos de esta garantía es limitada y excluirá el servicio de rutina, la limpieza, el mantenimiento esencial y/o las reparaciones ocasionadas por uso incorrecto y por instalaciones que no se ajusten a las instrucciones de Hoshizaki.

Las reparaciones cubiertas por la garantía deberán ser realizadas por un distribuidor o centro de servicio homologado de Hoshizaki empleando componentes originales de Hoshizaki.

Para más detalles sobre la garantía y los centros de servicio homologados, póngase en contacto con su distribuidor/proveedor, o con la oficina de Servicio Técnico de Hoshizaki más próxima.

### Europa, Oriente Medio, África

Hoshizaki UK - Reino Unido, Irlanda  
 TEL: +44 845 456 0585  
 FAX: +44 132 283 8331  
 uksales@hoshizaki.uk

Hoshizaki Middle East - Oriente Medio  
 TEL: +971 48 876 612  
 FAX: +971 48 876 613  
 sales@hoshizaki.ae

Hoshizaki Deutschland - Alemania, Suiza, Austria, Polonia, República Checa, Eslovaquia  
 TEL: +49 5121 697370  
 FAX: +49 5121 6973719  
 vertrieb@hoshizaki.de

Hoshizaki Benelux - Holanda, Bélgica, Luxemburgo  
 TEL: +31 85 018 83 70  
 info@hoshizaki.nl

Hoshizaki France - Francia  
 TEL: +33 1 48 63 93 80  
 FAX: +33 1 48 63 93 88  
 info@hoshizaki.fr

Hoshizaki Italia - Italia  
 TEL: +39 344 0616467  
 TEL: +39 348 3022156  
 info@hoshizaki.it

Hoshizaki Iberia - España, Portugal  
 TEL: +34 93 478 09 52  
 FAX: +34 93 478 08 00  
 info@hoshizaki.es

Hoshizaki Europe B.V. - Resto de países de Europa y África  
 TEL: +31 20 6918499  
 FAX: +31 20 6918768  
 sales@hoshizaki.nl

### Asia, Oceanía

Hoshizaki Singapore  
 TEL: +65 6225 2612  
 FAX: +65 6225 3219  
 sales@hoshizaki.com.sg (ventas)  
 serviceadmin@hoshizaki.com.sg (asistencia técnica)

Hoshizaki Hong Kong  
 TEL: +852 2866 2108  
 FAX: +852 2866 2109

Hoshizaki Taiwan  
 TEL: +886 2 2706 8818  
 FAX: +886 2 2708 7999

Hoshizaki Lancer  
 TEL: +61 8 8268 1388  
 FAX: +61 8 8268 1978

## ESPECIFICACIONES

Modelo	IM-130ANE-HC	IM-240ANE-HC
Tipo	Refrigerado por aire, cubitos de hielo	Refrigerado por aire, cubitos de hielo
Alimentación	1 fase 220-240 V 50Hz	1 fase 220-240 V 50Hz
Consumo eléctrico	635 W	930 W
Producción de hielo en 24 h	110 kg (5 mm) / 125 kg (15 mm) (temperatura ambiente 10 °C, temperatura del agua 10 °C)	195 kg (5 mm) / 210 kg (15 mm) (temperatura ambiente 10 °C, temperatura del agua 10 °C)
Dimensiones	560 mm (A) x 700 mm (F) x 880 mm (Alt.)	560 mm (A) x 700 mm (F) x 880 mm (Alt.)
Refrigerante	R290, 110 g	R290, 147 g
Agente espumante para aislamiento	No aplica	No aplica
Peso	Neto: 68 kg (total: 79 kg)	Neto: 78 kg (total: 89 kg)
Temperatura ambiente	1 - 40 °C	1 - 40 °C
Temperatura del agua	5 - 35 °C	5 - 35 °C
Presión del agua	De 0,07 a 0,78 MPa (de 0,7 a 8 bar)	De 0,07 a 0,78 MPa (de 0,7 a 8 bar)
Intervalo de voltaje	Voltaje nominal $\pm$ 6%	Voltaje nominal $\pm$ 6%

Modelo	IM-240AWNE-HC
Tipo	Refrigerado por agua, cubitos de hielo
Alimentación	1 fase 220-240 V 50Hz
Consumo eléctrico	800 W
Producción de hielo en 24 h	190 kg (5 mm) / 205 kg (15 mm) (temperatura ambiente 10 °C, temperatura del agua 10 °C)
Dimensiones	560 mm (A) x 700 mm (F) x 880 mm (Alt.)
Refrigerante	R290, 147 g
Agente espumante para aislamiento	No aplica
Peso	Neto: 83 kg (total: 95 kg)
Temperatura ambiente	1 - 40 °C
Temperatura del agua	5 - 35 °C
Presión del agua	De 0,07 a 0,78 MPa (de 0,7 a 8 bar)
Intervalo de voltaje	Voltaje nominal $\pm$ 6%

Nota: las especificaciones anteriores se refieren a los modelos representativos.



## INFORMAZIONI IMPORTANTI SULLA SICUREZZA

All'interno del manuale compaiono degli avvertimenti che intendono attirare l'attenzione dell'operatore su situazioni che potrebbero causarne la morte, lesioni gravi o danneggiare l'apparecchio.

<b>▲AVVERTENZA</b>	Indica una situazione pericolosa che, se non evitata, potrebbe causare la morte o lesioni gravi.
<b>▲ATTENZIONE</b>	Indica una situazione pericolosa che, se non evitata, potrebbe causare lesioni di lieve o media entità.
<b>AVVISO</b>	Indica una situazione pericolosa che, se non evitata, potrebbe causare danni all'unità.
<b>▲IGIENE</b>	Indica importanti precauzioni per l'igiene e la sicurezza alimentare.
<b>IMPORTANTE</b>	Indica informazioni importanti in merito all'uso e alla manutenzione dell'unità.

La macchina utilizza un refrigerante senza HFC (propano) che non danneggia l'ozono e materiali ecosostenibili che hanno un potenziale di riscaldamento globale molto basso.

<b>▲AVVERTENZA</b>
L'unità di raffreddamento della macchina contiene un refrigerante infiammabile; pertanto l'installazione, la movimentazione, la manutenzione e lo smaltimento possono essere eseguite esclusivamente da tecnici autorizzati.
Il refrigerante contenuto in questa macchina è infiammabile e sigillato nell'impianto di refrigerazione. Anche se non si verificano perdite di refrigerante con il normale utilizzo, prestare particolare attenzione quando si utilizza la macchina per non provocare danni all'impianto.
In caso di danno accidentale all'impianto di refrigerazione con conseguente perdita di refrigerante: <ul style="list-style-type: none"> <li>* Evitare la creazione di fonti di innesco nell'area.</li> <li>* Non azionare interruttori o utilizzare spine elettriche nell'area.</li> <li>* Evitare l'uso di fiamme libere.</li> <li>* Aprire immediatamente porte e/o finestre per ventilare l'area.</li> <li>* Contattare un tecnico dell'assistenza.</li> </ul>

<b>IMPORTANTE</b>
Il presente manuale è parte integrante e fondamentale del prodotto e deve essere conservato con cura dall'utente.
Si raccomanda di leggere con attenzione le indicazioni e le avvertenze ivi contenute, volte a fornire all'utente le informazioni fondamentali per l'utilizzo prolungato e la manutenzione del prodotto in condizioni di sicurezza. Inoltre fornisce all'utente SOLO INDICAZIONI sui corretti interventi e l'ubicazione della macchina.
Si raccomanda di conservare il presente manuale per eventuali necessità di consultazione future.

## ▲AVVERTENZA

Questa è una macchina industriale e deve essere utilizzata esclusivamente per gli impieghi per la quale è stata espressamente progettata e collegata a un deposito di raccolta cubetti appropriato specificato da Hoshizaki.

Qualunque altro impiego è da considerarsi improprio e pertanto pericoloso. La casa costruttrice declina ogni responsabilità per eventuali danni provocati da uso improprio, non corretto o sconsiderato.

**L'installazione e, se necessario, lo spostamento, devono essere eseguiti da personale specializzato**, in conformità alle norme vigenti e alle istruzioni della casa costruttrice.

Mantenere prive di ostruzioni le aperture di ventilazione della custodia della macchina o della struttura incorporata.

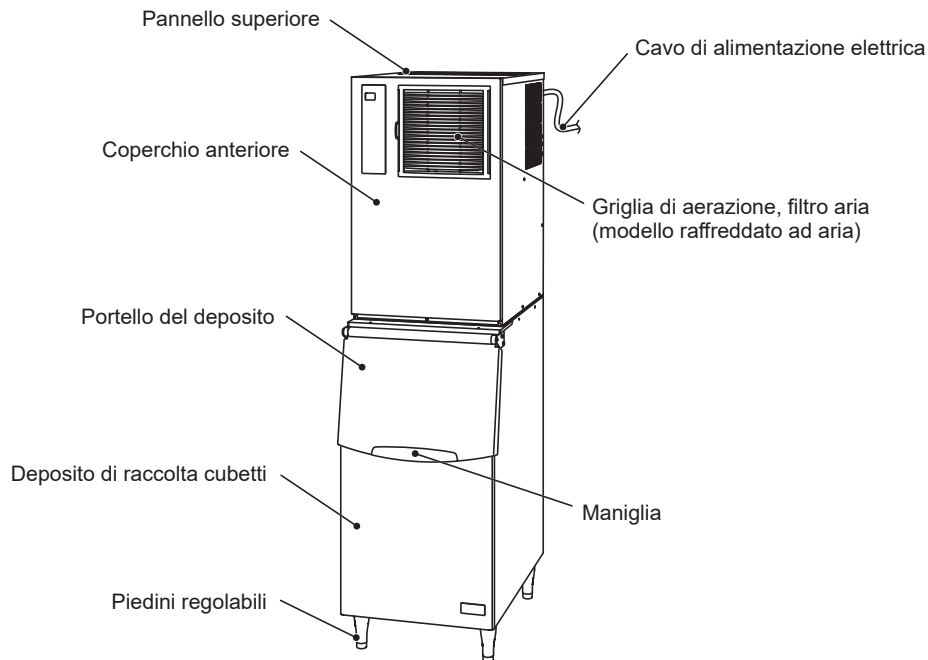
Non utilizzare dispositivi meccanici o altri strumenti per accelerare il processo di scongelamento, ad eccezione di quelli consigliati dal produttore.

L'utilizzo di qualsiasi apparecchio elettrico implica l'osservanza di alcune norme fondamentali. In particolare:

- \* Ubicando la macchina in ambienti ad alta umidità, si aumenta il rischio di cortocircuiti e di scosse elettriche. In caso di dubbi, disinserire la macchina.
- \* Non danneggiare il cavo dell'alimentazione elettrica né tirarlo per scollegare la spina della macchina dalla rete di alimentazione.
- \* Se il cavo di alimentazione è danneggiato, sostituirlo con un cavo di ricambio reperibile presso il centro assistenza/ricambi Hoshizaki.
- \* Non toccare parti elettriche né gli interruttori con le mani bagnate.
- \* La macchina non deve essere utilizzata da persone (inclusi i bambini) con capacità fisiche, sensoriali o mentali ridotte o con mancanza di competenze e conoscenze adeguate. È tuttavia consentito l'uso da parte di bambini con età minima di 8 anni, nonché di persone con capacità fisiche, sensoriali o mentali ridotte o con mancanza di competenze e conoscenze, purché sotto la supervisione o in linea con le istruzioni sull'uso dell'apparecchio fornite da un responsabile della sicurezza dei soggetti sopra indicati.
- \* I bambini non devono giocare con la macchina.
- \* La pulizia e la manutenzione da parte dell'utente non devono essere effettuate da bambini senza che venga loro fornita la supervisione.
- \* Non apportare modifiche alla macchina. Il disassemblaggio e la riparazione della macchina devono essere effettuati esclusivamente da personale qualificato.

**I. ISTRUZIONI PER L'INSTALLAZIONE**

**1. COMPONENTI**



**2. UBICAZIONE**

**⚠ AVVERTENZA**

La macchina non è adatta per essere utilizzata all'aria aperta.

La macchina non deve essere ubicata in prossimità di forni, grill o altri apparecchi che producono calore.

La macchina non è adatta per l'installazione in un'area in cui è possibile utilizzare un getto d'acqua.

In alcuni ambienti ad alta umidità, all'interno della macchina potrebbe formarsi della condensa che si riversa poi sul pavimento. Non installare la macchina su un pavimento che potrebbe danneggiarsi a causa dell'acqua.

**⚠ ATTENZIONE**

Il pavimento su cui poggia deve garantire alla macchina una base solida e piana.

**AVVISO**

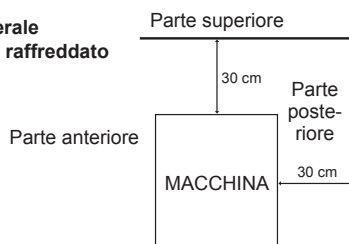
Non posizionare alcun oggetto sulla sommità della macchina e davanti alla sfenestratura.

**IMPORTANTE**

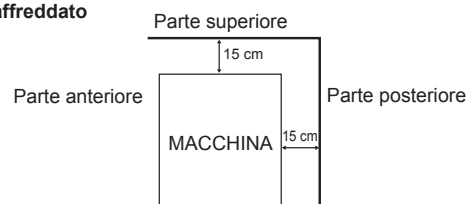
La normale temperatura ambiente d'esercizio deve essere compresa tra 1°C e 40°C. Il collegamento all'approvvigionamento dell'acqua è solo per acqua fredda. Il prolungato funzionamento della macchina con valori che non rientrano nelle gamme previste può comprometterne la capacità di produzione.

Lasciare uno spazio equivalente a quello sotto specificato in modo da favorire la circolazione dell'aria e le eventuali operazioni di manutenzione o servizio.

**Vista laterale (modello raffreddato ad aria)**



**Vista laterale (modello raffreddato ad acqua)**



Evitare l'esposizione prolungata della macchina alla luce diretta del sole.

## 3. COLLEGAMENTI ELETTRICI

### ⚠ AVVERTENZA

#### LA MACCHINA DEVE ESSERE COLLEGATA A MASSA

La macchina deve essere collegata a massa in modo da soddisfare le norme elettriche a livello locale e nazionale.

Scollegare l'alimentazione principale prima di eseguire qualsiasi intervento di manutenzione, riparazione o pulizia.

- \* Il fusibile della scatola di comando principale è da 5 A e deve essere sostituito esclusivamente da un tecnico di servizio specializzato.
- \* Per eseguire interventi elettrici sono solitamente necessari un permesso specifico nonché l'assistenza di un elettricista qualificato.

#### Solo per il Regno Unito e la Repubblica d'Irlanda

- \* I fili del cavo di alimentazione sono colorati in base al seguente codice:

verde e giallo = massa

blu = neutro

marrone = sotto tensione

Dato che i colori dei fili del cavo di alimentazione della macchina possono non corrispondere ai contrassegni colorati che identificano i terminali della spina dell'utente, procedere come segue.

Il filo verde e giallo deve essere collegato al terminale della spina contrassegnato dalla lettera E o dal simbolo  $\frac{\perp}{\equiv}$  o di colore verde o verde e giallo. Il filo blu deve essere collegato al terminale della spina contrassegnato dalla lettera N o di colore nero. Il filo marrone deve essere collegato al terminale contrassegnato dalla lettera L o di colore rosso.

- \* Se le prese a muro, nel luogo dell'installazione, non sono adatte alla spina appartenente alla dotazione del prodotto, togliere la spina (tagliandola se è del tipo pressofuso) e sostituirla con una spina adatta.

Se dal cavo di alimentazione elettrica è stata tagliata una spina di tipo non riciclabile, smaltirla. Non cercare di riutilizzarla. Inserire una spina del genere in una qualsiasi altra presa comporta un forte rischio di scosse elettriche.

- \* La spina non riciclabile non va mai utilizzata senza aver montato un coprifusibile.

Per individuare il corretto ricambio del coprifusibile smontabile, leggere il numero di riferimento della casa costruttrice impresso sulla spina.

I coprifusibili possono essere reperiti presso il centro assistenza/ricambi Hoshizaki.

I fusibili devono essere di 13 A e con approvazione BS 1362.

## 4. COLLEGAMENTO DI ALIMENTAZIONE DELL'ACQUA E COLLEGAMENTO DI SCARICO

### ⚠ AVVERTENZA

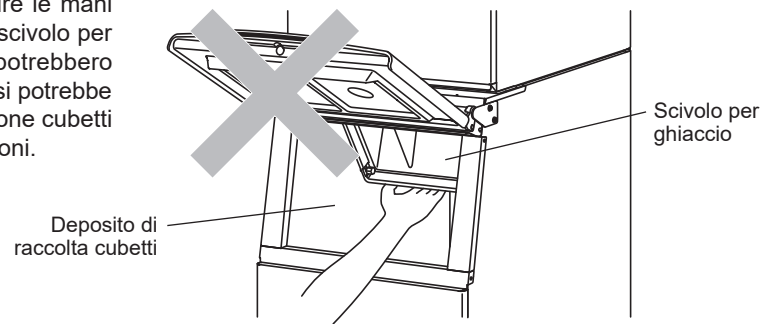
Collegare solo all'approvvigionamento dell'acqua potabile fredda.

- \* I collegamenti all'approvvigionamento idrico di rete devono essere eseguiti in conformità ai requisiti vigenti delle norme relative all'approvvigionamento dell'acqua e ai raccordi dell'acqua.
- \* L'acqua utilizzata per la fabbricazione del ghiaccio deve essere potabile. Laddove la qualità dell'acqua può causare disincrostazione,
  - è consigliabile l'installazione di un filtro esterno o di un addolcitore. Contattare l'esperto in trattamenti idrici locale o un agente dell'assistenza Hoshizaki.
  - È consigliabile impostare la modalità con scarico completo. Contattare il locale centro di assistenza Hoshizaki.
- \* In alcune località, per eseguire lavori idraulici sono necessari un permesso specifico nonché l'assistenza di un idraulico qualificato.

## II. ISTRUZIONI DI FUNZIONAMENTO

### ⚠ ATTENZIONE

Non entrare nel deposito di raccolta cubetti né inserire le mani nella parte posteriore del deposito di raccolta o nello scivolo per ghiaccio sopra il deposito stesso. Dalla macchina potrebbero cadere cubetti di ghiaccio, un blocco di ghiaccio duro si potrebbe rompere improvvisamente o il meccanismo di produzione cubetti potrebbe muoversi improvvisamente, provocando lesioni.



### AVVISO

Tutti i componenti sono preimpostati dalla casa costruttrice. Regolazioni non corrette possono provocare guasti.

Se la macchina viene spenta, attendere almeno 3 minuti prima di avviarla di nuovo onde evitare di danneggiare il compressore.

### ⚠ IGIENE

La macchina serve a produrre cubetti di ghiaccio commestibili. Per mantenere la macchina in buone condizioni igieniche, osservare le regole che seguono.

- \* Lavarsi le mani prima di prelevare i cubetti. Utilizzare il cucchiaino di presa in materiale plastico (accessorio).
- \* Il deposito di raccolta cubetti è solo per i cubetti. Non conservare nient'altro nel deposito di raccolta e non utilizzare apparecchi elettrici nel deposito di raccolta.
- \* Pulire il deposito di raccolta cubetti prima dell'uso (vedi "III 1. PULIZIA").
- \* Mantenere pulito il cucchiaino di presa. A tal fine, utilizzare un detergente neutro e sciacquare abbondantemente.
- \* Chiudere il portello dopo aver prelevato i cubetti, per evitare che nel deposito di raccolta cubetti entrino impurità, polvere o insetti.

## 1. AVVIO

L'installatore di regola imposta la macchina in modo da avviare il processo di produzione automatica di cubetti. Per garantire il funzionamento continuo, accertare che:

- \* Il rubinetto di alimentazione acqua sia aperto e
- \* la macchina sia collegata all'alimentazione.

## 2. PREPARATIVI PER LA CONSERVAZIONE A LUNGO TERMINE DELLA MACCHINA

### AVVISO

Questa macchina non funziona a temperature inferiori allo zero. Scaricare la macchina quando la temperatura dell'aria è al di sotto dello zero, al fine di prevenire eventuali danni al circuito di alimentazione dell'acqua.

### ⚠ IGIENE

Se la macchina rimane spenta per due o più giorni, scaricarla per evitare la contaminazione del circuito dell'acqua.

- 1) Staccare la spina o disinserire l'alimentazione della macchina.
- 2) Chiudere il rubinetto dell'alimentazione dell'acqua e rimuovere il tubo flessibile di entrata.
- 3) Togliere tutti i cubetti dal relativo deposito di raccolta cubetti, quindi pulirlo.
- 4) Richiedere l'intervento di personale tecnico qualificato per l'esecuzione dell'operazione di scarico.

## III. MANUTENZIONE

### 1. PULIZIA

#### ⚠ AVVERTENZA

Disinserire l'alimentazione elettrica della macchina, quindi eseguire le operazioni di pulizia e di manutenzione.

Non pulire la macchina mediante getto d'acqua.

#### ⚠ ATTENZIONE

Se si utilizza un detergente neutro o ipoclorito di sodio, leggere attentamente e comprendere le istruzioni fornite al fine di evitare possibili problemi di salute.

#### AVVISO

Almeno due volte l'anno far pulire e disinfettare il sistema dell'acqua della macchina da personale di servizio qualificato e controllare e pulire il condensatore almeno una volta all'anno.

Per evitare danni, non pulire le parti in plastica con acqua ad una temperatura superiore a 40°C o in lavastoviglie.

#### [a] Esterno della macchina e del deposito di raccolta cubetti

Utilizzando un panno morbido e pulito, pulire la parte esterna della macchina almeno una volta alla settimana. Per eliminare grasso o impurità, utilizzare un panno inumidito con detergente neutro.

#### [b] Pulizia e disinfezione giornaliera del cucchiaino di presa e della maniglia del deposito di raccolta cubetti

- 1) Mescolare 1 litro d'acqua con 4 ml di soluzione di ipoclorito di sodio al 5,25% in un contenitore idoneo, oppure la soluzione disinfettante Hoshizaki consigliata, come da istruzioni.
- 2) Immergere il cucchiaino di presa nella soluzione per più di 3 minuti. Risciacquare abbondantemente e agitare per rimuovere il liquido in eccesso.

Nota: se si utilizza un panno per asciugare, si rischia una nuova contaminazione.

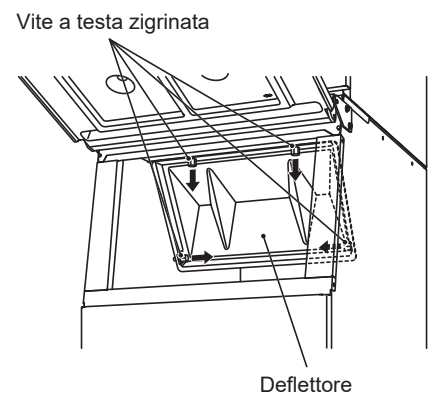
- 3) Utilizzare una soluzione detergente neutra per lavare la maniglia del deposito di raccolta. Sciacquare abbondantemente.
- 4) Inumidire un panno pulito con la soluzione disinfettante e pulire la maniglia. Per risciacquare e asciugare, utilizzare acqua e un panno pulito.

#### [c] Pulizia e disinfezione dell'interno del deposito di raccolta cubetti (settimanale)

- 1) Aprire il portello del deposito di raccolta cubetti e togliere tutti i cubetti di ghiaccio.

Nota: Hoshizaki suggerisce l'utilizzo di vari tipi di deposito di raccolta, differenti per dimensione e struttura. Pertanto, le seguenti istruzioni sono da intendersi unicamente come indicazioni generali.

- 2) Rimuovere le viti ad alette che fissano il deflettore.
- 3) Rimuovere il deflettore dal deposito.
- 4) Lavare la camera del deposito e il deflettore mediante una soluzione detergente neutra non abrasiva. Sciacquare abbondantemente.
- 5) Mescolare 5 litri d'acqua con 18 ml di soluzione di ipoclorito di sodio al 5,25% in un contenitore idoneo, oppure la soluzione disinfettante Hoshizaki consigliata, come da istruzioni.
- 6) Inumidire una spugna pulita o un panno pulito con la soluzione e pulire le superfici della camera e il deflettore.
- 7) Rimontare il deflettore e le viti ad alette. Pulire con la soluzione la superficie del portello del deposito di raccolta cubetti e le viti. Chiudere il portello del deposito.



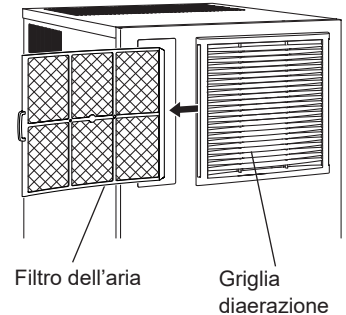
8) La soluzione rimanente può essere utilizzata per disinfettare gli utensili.

Nota: dopo la disinfezione non strofinare né risciacquare, ma lasciare asciugare all'aria.

## [d] Filtro aria (solo nei modelli raffreddati ad aria)

I filtri dell'aria a maglia di plastica servono a filtrare l'aria dalle impurità e dalla polvere, proteggendo il condensatore da eventuali intasamenti. In caso di ostruzione dei filtri, le prestazioni della macchina si riducono. Smontare i filtri dell'aria e pulirli almeno due volte al mese:

- 1) Rimuovere il filtro dell'aria dalla griglia di aerazione.
- 2) Pulire il filtro dell'aria con un aspirapolvere. Se il filtro è particolarmente intasato, lavarlo con acqua calda e una soluzione detergente neutra.
- 3) Risciacquare e asciugare con cura il filtro dell'aria.



### AVVISO

Al termine della pulizia, assicurarsi di risistemare il filtro dell'aria nella giusta posizione.

## 2. PRIMA DI RIVOLGERSI ALL'ASSISTENZA

### ⚠ AVVERTENZA

Non danneggiare il circuito di refrigerazione.

### [a] Indicazione codice guasto

Se sul display viene indicato il codice errore "E", prima di rivolgersi all'assistenza, controllare quanto segue.

Codice	Rimedio
<b>E1</b>	Guasto congelamento. Scollegare l'unità e ricollegarla dopo 3 minuti. Pulire il filtro dell'aria (modello raffreddato ad aria). Abbassare la temperatura ambiente o garantire uno spazio adeguato intorno all'unità (vedere "1 2. UBICAZIONE"). Se l'errore persiste, rivolgersi all'assistenza.
<b>E2</b>	Guasto sbrinamento. Scollegare l'unità e ricollegarla dopo 3 minuti. Se l'errore persiste, rivolgersi all'assistenza.
<b>EE</b>	Altro guasto. Scollegare l'unità e ricollegarla dopo 3 minuti. Pulire il filtro dell'aria (modello raffreddato ad aria). Verificare che non vi siano problemi con l'acqua o che il rubinetto dell'alimentazione dell'acqua non sia chiuso. Abbassare la temperatura ambiente o garantire uno spazio adeguato intorno all'unità (vedere "1 2. UBICAZIONE"). Se l'errore persiste, rivolgersi all'assistenza.
<b>EF</b>	Possibile perdita di gas. Non toccare l'unità. Ventilare l'area e chiamare immediatamente l'assistenza.

### [b] Nessuna indicazione di codice guasto

Se la macchina non funziona correttamente o non funziona affatto e sul display non compare nessun codice guasto, prima di rivolgersi all'assistenza controllare che:

- \* la macchina riceva l'energia elettrica;
- \* l'acqua sia aperta;
- \* il filtro dell'aria sia pulito (modello raffreddato ad aria);
- \* il circuito dell'acqua di raffreddamento ha un flusso adeguato (modello raffreddato ad acqua).

Per ulteriori assistenza e consulenza, contattare il locale centro di assistenza Hoshizaki.

### [c] Indicazione codice avviso

Se viene visualizzato il codice avviso A1 o A2, è probabile che il sensore del gas sia difettoso. Contattare il locale centro di assistenza Hoshizaki.

## 3. SMALTIMENTO

Osservare le normative locali in materia di smaltimento della macchina e del gas refrigerante. Prima di smaltire la macchina, rimuovere il portello per evitare che i bambini vi possano rimanere intrappolati.

Smaltimento corretto del prodotto:

Questo simbolo indica che il prodotto non deve essere smaltito con altri rifiuti domestici all'interno dell'UE. Per evitare possibili danni all'ambiente o alla salute derivanti dallo smaltimento incontrollato dei rifiuti, riciclare il prodotto in modo responsabile per promuovere il riutilizzo sostenibile delle risorse materiali. Per restituire la macchina usata, utilizzare i sistemi di restituzione e raccolta o contattare il rivenditore presso il quale è stato acquistato il prodotto. Il prodotto sarà ritirato in vista di un riciclaggio sicuro per l'ambiente.



## 4. GARANZIA

Hoshizaki garantisce al proprietario o utente originario che tutti i prodotti con marchio Hoshizaki sono privi di difetti di costruzione e/o inerenti ai materiali per l'intera durata del "periodo di garanzia". La garanzia è valida per due anni dalla data di installazione. La responsabilità di Hoshizaki secondo le condizioni della garanzia è limitata ed esclude la manutenzione di routine, la pulizia, la manutenzione essenziale e/o le riparazioni che si rendano necessarie in conseguenza di uso scorretto e di installazione non conforme alle indicazioni Hoshizaki.

Le riparazioni in garanzia devono essere eseguite da un rivenditore o da un centro di assistenza autorizzato Hoshizaki, che utilizzino componenti originali Hoshizaki.

Per ottenere informazioni complete in merito alla garanzia e al centro di assistenza autorizzato, si prega di contattare il proprio rivenditore/fornitore di fiducia, oppure l'ufficio assistenza Hoshizaki più vicino.

### Europa, Medio Oriente, Africa

Hoshizaki UK - Regno Unito, Irlanda  
TEL: +44 845 456 0585  
FAX: +44 132 283 8331  
uksales@hoshizaki.uk

Hoshizaki Middle East - Medio Oriente  
TEL: +971 48 876 612  
FAX: +971 48 876 613  
sales@hoshizaki.ae

Hoshizaki Deutschland - Germania, Svizzera, Austria, Polonia, Repubblica Ceca, Slovacchia  
TEL: +49 5121 697370  
FAX: +49 5121 6973719  
vertrieb@hoshizaki.de

Hoshizaki Benelux - Olanda, Belgio, Lussemburgo  
TEL: +31 85 018 83 70  
info@hoshizaki.nl

Hoshizaki France - Francia  
TEL: +33 1 48 63 93 80  
FAX: +33 1 48 63 93 88  
info@hoshizaki.fr

Hoshizaki Italia - Italia  
TEL: +39 344 0616467  
TEL: +39 348 3022156  
info@hoshizaki.it

Hoshizaki Iberia - Spagna, Portogallo  
TEL: +34 93 478 09 52  
FAX: +34 93 478 08 00  
info@hoshizaki.es

Hoshizaki Europe B.V. - tutti gli altri paesi in Europa e Africa  
TEL: +31 20 6918499  
FAX: +31 20 6918768  
sales@hoshizaki.nl

### Asia, Oceania

Hoshizaki Singapore  
TEL: +65 6225 2612  
FAX: +65 6225 3219  
sales@hoshizaki.com.sg (Vendite)  
serviceadmin@hoshizaki.com.sg (Assistenza tecnica)

Hoshizaki Hong Kong  
TEL: +852 2866 2108  
FAX: +852 2866 2109

Hoshizaki Taiwan  
TEL: +886 2 2706 8818  
FAX: +886 2 2708 7999

Hoshizaki Lancer  
TEL: +61 8 8268 1388  
FAX: +61 8 8268 1978



## SPECIFICHE

Modello	IM-130ANE-HC	IM-240ANE-HC
Tipo	Raffreddamento ad aria, cubetto di ghiaccio	Raffreddamento ad aria, cubetto di ghiaccio
Alimentazione elettrica	Monofase 220 - 240V 50Hz	Monofase 220 - 240V 50Hz
Consumi elettrici	635W	930W
Produzione cubetti ogni 24 ore	110 kg (5 mm)/125 kg (15 mm) (Temp. ambiente 10°C, temp. acqua 10°C)	195 kg (5 mm)/210 kg (15 mm) (Temp. ambiente 10°C, temp. acqua 10°C)
Dimensioni	560 mm (l) x 700 mm(p) x 880 mm (h)	560 mm (l) x 700 mm(p) x 880 mm (h)
Refrigerante	R290, 110 g	R290, 147 g
Agente espandente schiuma isolante	Non applicabile	Non applicabile
Peso	Netto: 68 kg (lordo: 79 kg)	Netto: 78 kg (lordo: 89 kg)
Temp. ambiente	1 - 40°C	1 - 40°C
Temp. alimentazione acqua	5 - 35°C	5 - 35°C
Pressione alimentazione acqua	0,07 - 0,78 MPa (0,7 - 8 bar)	0,07 - 0,78 MPa (0,7 - 8 bar)
Range di tensione	Tensione nominale $\pm$ 6%	Tensione nominale $\pm$ 6%

Modello	IM-240AWNE-HC
Tipo	Raffreddamento ad acqua, cubetto di ghiaccio
Alimentazione elettrica	Monofase 220 - 240V 50Hz
Consumi elettrici	800W
Produzione cubetti ogni 24 ore	190 kg (5 mm)/205 kg (15 mm) (Temp. ambiente 10°C, temp. acqua 10°C)
Dimensioni	560 mm (l) x 700 mm(p) x 880 mm (h)
Refrigerante	R290, 147 g
Agente espandente schiuma isolante	Non applicabile
Peso	Netto: 83 kg (lordo: 95 kg)
Temp. ambiente	1 - 40°C
Temp. alimentazione acqua	5 - 35°C
Pressione alimentazione acqua	0,07 - 0,78 MPa (0,7 - 8 bar)
Range di tensione	Tensione nominale $\pm$ 6%

Nota: le specifiche riportate sopra si riferiscono ai modelli rappresentativi.

## ВАЖНЫЕ УКАЗАНИЯ ПО ТЕХНИКЕ БЕЗОПАСНОСТИ

В различных частях документа приводятся примечания, чтобы привлечь ваше внимание к ситуациям, которые могут привести к смерти, серьезной травме или повреждению устройства.

<b>▲ВНИМАНИЕ!</b>	Указание на опасную ситуацию, в которой (если ее не устранить) существует опасность смертельного исхода или получения серьезной травмы.
<b>▲ОСТОРОЖНО!</b>	Указание на опасную ситуацию, в которой (если ее не устранить) существует опасность телесного повреждения малой или средней тяжести.
<b>ПРЕДУПРЕЖДЕНИЕ</b>	Указание на опасную ситуацию, в которой (если ее не устранить) существует опасность повреждения устройства.
<b>▲ГИГИЕНА</b>	Указание на необходимость соблюдения гигиенических правил и правил безопасности пищевых продуктов.
<b>ВАЖНОЕ ЗАМЕЧАНИЕ</b>	Указание на важную информацию об использовании устройства и уходе за ним.

В данном генераторе льда используется хладагент без ГФУ (пропан), не оказывающий вредного влияния на озоновый слой атмосферы, и применяются материалы, не наносящие вреда окружающей среде и обладающие очень низким воздействием на глобальное потепление.

<b>▲ВНИМАНИЕ!</b>
Генератор льда содержит воспламеняющийся хладагент в охлаждающем блоке, поэтому установка, уход, техническое обслуживание и утилизация должны проводиться только квалифицированным персоналом.
Используемый в данном льдогенераторе хладагент огнеопасен и находится в герметичной системе охлаждения. При нормальной работе аппарата утечки хладагента отсутствуют. Однако при использовании генератора льда следует соблюдать осторожность, чтобы не повредить систему.
При случайном повреждении системы охлаждения, вызвавшем утечку хладагента: * Не допускайте искрообразования в зоне утечки. * Не пользуйтесь электрическими выключателями и сетевыми розетками. * Не пользуйтесь открытым пламенем. * Немедленно проветрите помещение, открыв двери и/или окна. * Обратитесь к квалифицированному наладчику.

<b>ВАЖНОЕ ЗАМЕЧАНИЕ</b>
Этот буклет является неотъемлемой и важной частью изделия и должен быть передан на хранение пользователю.
Внимательно ознакомьтесь с содержащимися в нем указаниями и предостережениями, поскольку они необходимы для обеспечения длительной безопасной эксплуатации и технического обслуживания пользователем изделия. Кроме того, в нем содержатся <b>УКАЗАНИЯ ТОЛЬКО</b> для пользователя по надлежащему проведению планового обслуживания и выбору места расположения генератора льда.
Сохраните этот буклет для последующего обращения к нему в случае необходимости.

**▲ ВНИМАНИЕ!**

Данное изделие представляет собой промышленный генератор льда, использование которого допускается исключительно в соответствии с назначением и в сочетании с подходящим бункером, рекомендованным компанией Hoshizaki.

Использование в любых других целях считается ненадлежащим, а потому представляет опасность. Производитель не несет ответственности за ущерб, причиненный ненадлежащим, неправильным и необоснованным использованием.

**Установка и, при необходимости, перемещение устройства должны выполняться квалифицированным персоналом** в соответствии с существующими нормами и согласно инструкциям производителя.

Не закрывайте вентиляционные отверстия в корпусе устройства и во встроенных в него принадлежностях.

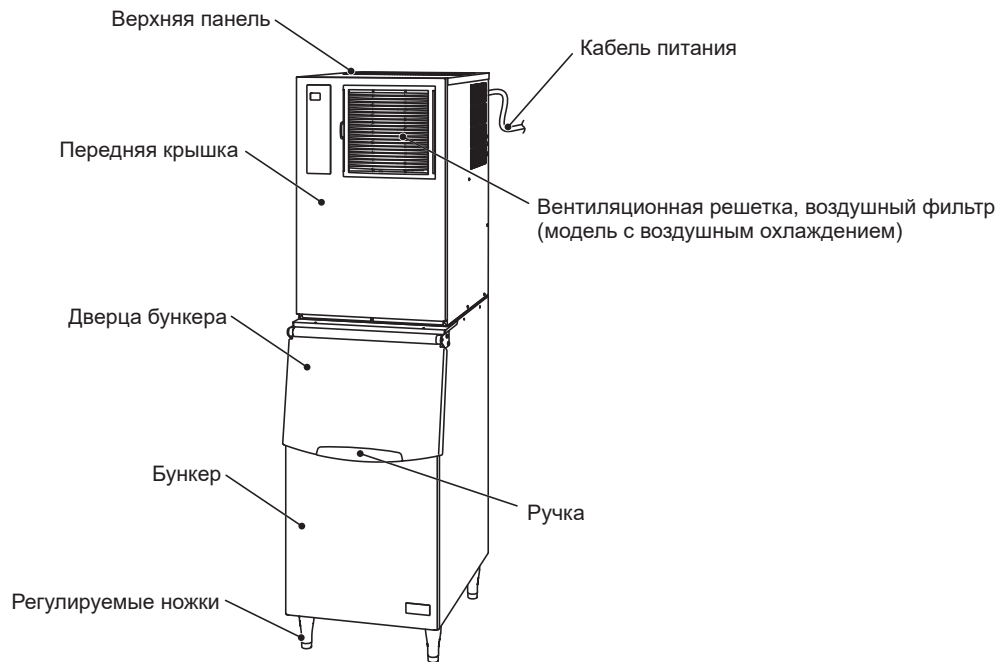
Не используйте механические и иные средства для ускорения процесса размораживания, кроме рекомендованных производителем.

При использовании электрического оборудования необходимо соблюдать ряд основных правил. В частности:

- \* В местах с повышенной влажностью и сыростью повышается вероятность короткого замыкания и поражения электрическим током. При наличии сомнений отключите генератор льда от сети.
- \* Не повредите кабель питания и не тяните за него при отключении генератора льда от электрической сети.
- \* Поврежденный кабель питания следует заменить на кабель, приобретенный в центрах запасных частей и сервисных центрах компании Hoshizaki.
- \* Не прикасайтесь к деталям электрооборудования и не пользуйтесь выключателями влажными руками.
- \* Данное устройство не предназначено для использования лицами (включая детей) с ограниченными физическими, сенсорными или умственными способностями или с недостаточным опытом и знаниями, однако им могут пользоваться дети в возрасте от 8 лет и старше, а также лица с ограниченными физическими, сенсорными или умственными способностями или с недостаточным опытом и знаниями, если они находятся под контролем или инструктируются по вопросам использования устройства со стороны лиц, ответственных за их безопасность.
- \* Дети не должны играть с данным устройством.
- \* Очистка и текущее обслуживание устройства могут производиться детьми только под наблюдением взрослых.
- \* Не допускается изменение конструкции генератора льда. Только квалифицированный персонал может разбирать или ремонтировать данное устройство.

## I. УКАЗАНИЯ ПО УСТАНОВКЕ

### 1. КОНСТРУКЦИЯ



### 2. РАЗМЕЩЕНИЕ

#### ⚠ ВНИМАНИЕ!

Генератор льда предназначен для использования только в помещении.

Не размещайте генератор льда вблизи духовок, жарочных шкафов и другого оборудования, выделяющего тепло.

Данное устройство не следует устанавливать в местах, где производится обработка струей воды.

В местах с повышенной влажностью внутри устройства может образоваться конденсат, который будет стекать на пол. Не производите установку в местах, где вода может повредить покрытие пола.

#### ⚠ ОСТОРОЖНО!

Установку оборудования необходимо проводить на твердой ровной поверхности.

#### ПРЕДУПРЕЖДЕНИЕ

Не размещайте ничего на генераторе льда или перед вентиляционной решеткой.

#### ВАЖНОЕ ЗАМЕЧАНИЕ

Нормальная рабочая температура окружающего воздуха составляет от 1°C до 40°C. Для подачи воды в устройство к нему подключается линия холодной воды. Длительная эксплуатация генератора льда в условиях, не соответствующих приведенным нормам, может привести к снижению производительности.

Для надлежащей циркуляции воздуха и облегчения доступа при проведении технического и/или планового обслуживания необходимо оставить свободное пространство, как это указано ниже.

Вид сбоку  
(модель с воздушным  
охлаждением)



Вид сбоку  
(модель с водяным  
охлаждением)



Избегайте длительного воздействия прямых солнечных лучей на устройство.

## 3. ЭЛЕКТРИЧЕСКИЕ СОЕДИНЕНИЯ

### ⚠ ВНИМАНИЕ!

#### ОБОРУДОВАНИЕ НЕОБХОДИМО ЗАЗЕМЛИТЬ!

Для использования генератора льда его необходимо заземлить в соответствии с требованиями международных и региональных электротехнических правил и норм.

Перед проведением технического обслуживания, ремонта или очистки отключайте устройство от электрической сети.

- \* Замену предохранителя номиналом 5 А в главном блоке управления должен проводить только квалифицированный наладчик.
- \* Как правило, необходимо получить допуск на проведение электрических работ и воспользоваться услугами квалифицированного электрика.

#### Только для Великобритании и Ирландии

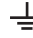
- \* Провода сетевого кабеля имеют следующую цветовую маркировку.

Зеленый и желтый – заземление

Синий – нейтраль

Коричневый – фаза (под напряжением)

Поскольку цвета проводов сетевого кабеля данного устройства могут не совпадать с цветовыми обозначениями клемм используемого разъема, выполните следующее.

Желто-зеленый провод необходимо подключить к клемме разъема, помеченной буквой E или символом  или окрашенной в зеленый или желто-зеленый цвет. Синий провод необходимо подключить к клемме разъема, помеченной буквой N или окрашенной в черный цвет. Коричневый провод необходимо подключить к клемме разъема, помеченной буквой L или окрашенной в красный цвет.

- \* Если розетка в месте установки не подходит для вилки устройства, необходимо заменить вилку (срезать, если она неразборная).

Неразъемную вилку, срезанную с кабеля питания, необходимо выбросить. Запрещается ее повторное использование. Включение такой вилки в какую-либо розетку влечет за собой опасность поражения электрическим током.

- \* Запрещается использовать разъем со встроенным предохранителем без установленной крышки предохранителя.

Для правильной замены съемной крышки предохранителя см. номер детали, указанный производителем на разъеме.

Запасную крышку предохранителя можно заказать в центрах запасных частей и сервисных центрах компании Hoshizaki.

Необходимо использовать предохранители номиналом 13 А, утвержденные согласно стандарту BS 1362.

## 4. ПОДКЛЮЧЕНИЕ ЛИНИЙ ПОДАЧИ ВОДЫ И СЛИВА

### ⚠ ВНИМАНИЕ!

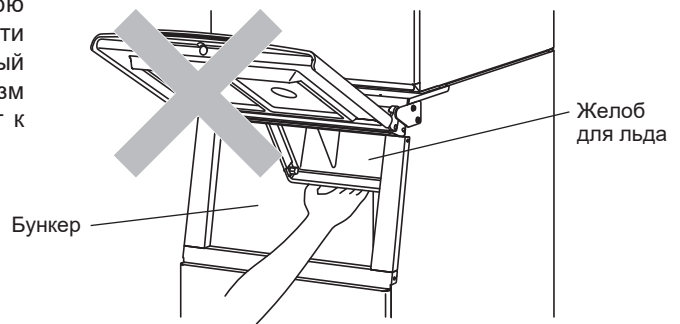
Подсоединять только к источнику холодной питьевой воды.

- \* Подключение к водопроводной сети должно выполняться в соответствии с существующими требованиями для подачи воды или нормами на соединительную арматуру той страны, в которой установлен генератор.
- \* Вода для приготовления льда должна быть питьевой. При образовании осадка из-за плохого качества воды:
  - Рекомендуется установить дополнительный фильтр или использовать умягчитель воды. Обратитесь к специалисту по очистке воды или агенту по техническому обслуживанию компании Hoshizaki.
  - Включите режим «полной очистки промыванием». Обратитесь к агенту по техническому обслуживанию местного отделения компании Hoshizaki.
- \* В некоторых регионах, возможно, потребуется получить допуск на проведение слесарных работ и воспользоваться услугами квалифицированного слесаря-водопроводчика.

## II. УКАЗАНИЯ ПО ЭКСПЛУАТАЦИИ

### ▲ ОСТОРОЖНО!

Не вставляйте в бункер и не засовывайте руки в заднюю часть бункера или желоб для льда на верхней поверхности бункера. Лед может выпасть из генератора льда, а тяжелый кусок льда может неожиданно расколоться, или механизм генератора может прийти в движение, что приведет к телесному повреждению.



### ПРЕДУПРЕЖДЕНИЕ

Все компоненты изделия отрегулированы в заводских условиях. Ненадлежащая регулировка может стать причиной выхода изделия из строя.

Во избежание повреждения компрессора перед повторным включением генератора льда после его выключения подождите не менее 3 минут.

### ▲ ГИГИЕНА

Генератор льда предназначен для производства пищевого льда. Соблюдение гигиенических требований при использовании генератора льда:

- \* Мойте руки перед извлечением льда. Используйте прилагаемую пластиковую лопатку (из комплекта принадлежностей).
- \* Используйте бункер только для льда. Не храните в бункере что-либо иное и не используйте в бункере другие электроприборы.
- \* Перед использованием очистите бункер (см. раздел «III 1. ОЧИСТКА»).
- \* Содержите лопатку в чистоте. Для ее очистки используйте нейтральное чистящее средство, после чего тщательно промойте.
- \* После извлечения льда закрывайте дверцу для предотвращения попадания в бункер грязи, пыли или насекомых.

## 1. ЗАПУСК

Лицо, выполняющее установку, обычно производит и ввод генератора льда в эксплуатацию (запуск процесса автоматической выработки льда). Для обеспечения непрерывной работы убедитесь в наличии следующих условий.

- \* Водопроводный кран открыт.
- \* Льдогенератор подключен к сети питания.

## 2. ПОДГОТОВКА ГЕНЕРАТОРА ЛЬДА К ДЛИТЕЛЬНОМУ ХРАНЕНИЮ

### ПРЕДУПРЕЖДЕНИЕ

Генератор льда не будет работать при температуре ниже точки замерзания. Во избежание повреждения линий подачи воды необходимо слить воду из генератора льда в случае понижения температуры воздуха ниже нуля.

### ▲ ГИГИЕНА

При отключении льдогенератора на срок более двух суток слейте всю воду во избежание загрязнения водяного контура.

- 1) Отключите генератор льда от сетевой розетки или источника питания.
- 2) Закройте водопроводный кран и снимите впускной шланг.
- 3) Извлеките весь лед из бункера и очистите бункер.
- 4) Обратитесь к квалифицированным специалистам для проведения слива из генератора льда.

## III. ТЕХНИЧЕСКОЕ ОБСЛУЖИВАНИЕ

### 1. ОЧИСТКА

#### ⚠ ВНИМАНИЕ!

Перед проведением очистки или технического обслуживания отключите генератор льда от электрической сети.

Не допускается очистка устройства струей воды под напором.

#### ⚠ ОСТОРОЖНО!

Во избежание проблем со здоровьем перед использованием нейтрального чистящего средства или гипохлорита натрия внимательно прочтите прилагаемые к ним инструкции.

#### ПРЕДУПРЕЖДЕНИЕ

Обращайтесь к квалифицированному специалисту для очистки и санитарной обработки системы водоснабжения генератора льда не реже двух раз в год, а также для проверки и очистки конденсатора не реже одного раза в год.

Во избежание повреждения пластиковых деталей не используйте для их очистки воду с температурой выше 40°C, а также посудомоечную машину.

#### [а] Наружные части аппарата и бункера

Протирайте наружные детали чистой мягкой тканью не реже одного раза в неделю. Для удаления жира или грязи используйте влажную ткань с нейтральным чистящим средством.

#### [б] Очистка и дезинфекция лопатки и ручки бункера (ежедневно)

- 1) Смешайте в подходящей емкости 1 литр воды и 4 мл 5,25-процентного раствора гипохлорита натрия или воспользуйтесь рекомендованным дезинфицирующим средством компании Hoshizaki, следуя указаниям.
- 2) Поместите лопатку в раствор на более чем 3 минуты. Затем тщательно промойте и отряхните ее, чтобы удалить остатки жидкости.

Примечание. Использование для этой цели ткани может привести к повторному загрязнению.

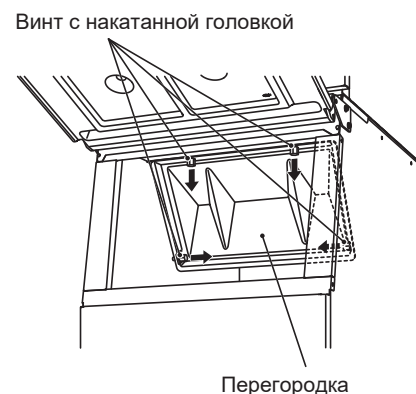
- 3) Для промывки ручки бункера используйте нейтральное чистящее средство. Тщательно сполосните.
- 4) Смочите чистую ткань дезинфицирующим раствором и протрите ручку. Промойте пресной водой и протрите чистой тканью или высушите.

#### [в] Очистка и дезинфекция внутренних частей бункера (еженедельно)

- 1) Откройте дверцу бункера и извлеките весь лед.

Примечание. Компания Hoshizaki рекомендует использовать различные типы бункеров для генератора льда, отличающиеся размером и конструкцией. По этой причине следующие указания носят общий характер.

- 2) Отверните винты с накатанной головкой, крепящие перегородку.
- 3) Извлеките перегородку из бункера.
- 4) Промойте прокладку бункера нейтральным неабразивным чистящим средством. Тщательно сполосните.
- 5) Смешайте в подходящей емкости 5 литров воды и 18 мл 5,25-процентного раствора гипохлорита натрия или воспользуйтесь рекомендованным дезинфицирующим средством компании Hoshizaki, следуя указаниям.
- 6) Смочите чистую губку или ткань в этом растворе и протрите поверхность прокладки бункера и перегородки.



7) Установите на место перегородку и закрепите ее винтами с накатанной головкой. Протрите поверхность крышки бункера и винты с накатанной головкой, используя этот же раствор. Закройте дверцу бункера.

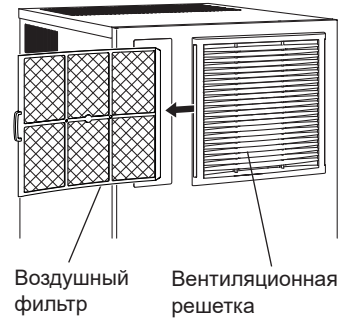
8) Остатки раствора можно использовать для дезинфекции различных принадлежностей (посуды).

Примечание. Не протирайте насухо и не споласкивайте поверхности после дезинфекции, дайте им высохнуть на воздухе.

## [г] Воздушный фильтр (только модель с воздушным охлаждением)

Пластиковый сетчатый воздушный фильтр удаляет грязь и пыль из воздуха и предотвращает засорение конденсатора. Засорение фильтров приводит к снижению производительности генератора льда. Снимайте и очищайте воздушные фильтры не реже двух раз в месяц.

- 1) Выдвиньте воздушный фильтр из вентиляционной решетки.
- 2) Очистите воздушный фильтр пылесосом. Если воздушный фильтр сильно засорился, промойте его теплой водой с нейтральным чистящим средством.
- 3) Тщательно сполосните и высушите воздушный фильтр.



### ПРЕДУПРЕЖДЕНИЕ

После очистки установите воздушный фильтр на место.

## 2. ПЕРЕД ОБРАЩЕНИЕМ В СЕРВИСНЫЙ ЦЕНТР

### ⚠ ВНИМАНИЕ!

Не повредите контур охлаждения.

### [а] Отображение кодов ошибок

Если на дисплее отображается код ошибки «Е», перед обращением в сервисный центр проверьте следующее.

Код	Способ устранения
<b>E1</b>	Сбой при замораживании. Отключите устройство от сети питания и снова подключите через 3 минуты. Очистите воздушный фильтр (модель с воздушным охлаждением). Примите меры к снижению температуры окружающей среды или обеспечьте достаточное свободное пространство вокруг устройства (см. раздел «1 2. РАЗМЕЩЕНИЕ»). Если ошибка не устраняется, обратитесь в сервисный центр.
<b>E2</b>	Сбой при размораживании. Отключите устройство от сети питания и снова подключите через 3 минуты. Если ошибка не устраняется, обратитесь в сервисный центр.
<b>EE</b>	Другая ошибка. Отключите устройство от сети питания и снова подключите через 3 минуты. Очистите воздушный фильтр (модель с воздушным охлаждением). Проверьте подачу воды и состояние крана подачи воды (открыт/закрыт). Примите меры к снижению температуры окружающей среды или обеспечьте достаточное свободное пространство вокруг устройства (см. раздел «1 2. РАЗМЕЩЕНИЕ»). Если ошибка не устраняется, обратитесь в сервисный центр.
<b>EF</b>	Возможна утечка газа. Не прикасайтесь к устройству. Проветрите помещение и сразу же обратитесь в сервисный центр.

### [б] Код ошибки не отображается

Если льдогенератор не работает надлежащим образом или не работает вообще и при этом на дисплее не отображается код ошибки, перед обращением в сервисный центр проверьте следующее:

- \* Подается ли питание на устройство.
- \* Открыт ли водопроводный кран.
- \* Не загрязнен ли воздушный фильтр (модель с воздушным охлаждением).
- \* Нормальный ли напор воды в водном контуре (модель с водяным охлаждением).

Для получения дальнейшей помощи или рекомендаций обратитесь к агенту по техническому обслуживанию местного отделения компании Hoshizaki.



## [в] Отображение аварийного кода

Если отображается аварийный код A1 или A2, возможна неисправность датчика газа. Обратитесь к агенту по техническому обслуживанию местного отделения компании Hoshizaki.

## 3. УТИЛИЗАЦИЯ

Утилизацию данного устройства и охлаждающего газа выполняйте в соответствии с местными нормами. Перед отправкой устройства в утиль снимите дверцу, чтобы дети не залезли внутрь и она за ними случайно не захлопнулась.

Правильная утилизация устройства:

Данная маркировка указывает на то, что данное устройство не следует утилизировать вместе с прочими бытовыми отходами во всех странах Евросоюза. Во избежание нанесения вреда окружающей среде и здоровью людей в результате неконтролируемой утилизации отходов относитесь к утилизации устройства с полной ответственностью, чтобы способствовать повторному использованию материальных ресурсов. При утилизации использованного устройства обращайтесь в пункты возврата и сбора таких устройств или к продавцу, у которого данный товар был приобретен. Данный продукт может быть переработан без нанесения вреда окружающей среде.



## 4. ГАРАНТИЙНЫЕ ОБЯЗАТЕЛЬСТВА

Компания Hoshizaki гарантирует первоначальному владельцу/пользователю любого изделия под маркой Hoshizaki отсутствие дефектов материалов и/или качества изготовления на срок действия гарантийного периода. Гарантия действует в течение одного года с даты установки.

Ответственность компании Hoshizaki по условиям данного гарантийного обязательства ограничена и не включает в себя плановый уход, очистку, необходимое техническое обслуживание и (или) ремонт, вызванный неправильным использованием и установкой не в соответствии с указаниями компании Hoshizaki.

Ремонтные работы по гарантийному обязательству должны проводиться утвержденным представителем или технической службой компании Hoshizaki с использованием подлинных компонентов производства Hoshizaki.

Для получения подробной информации о гарантийном обязательстве и утвержденных технических службах обратитесь к представителю, продавцу или в ближайшее отделение технической поддержки компании Hoshizaki.

### Европа, Ближний Восток, Африка

Hoshizaki UK — Великобритания, Ирландия  
 ТЕЛ.: +44 845 456 0585  
 ФАКС: +44 132 283 8331  
 uksales@hoshizaki.uk

Hoshizaki Middle East — Ближний Восток  
 ТЕЛ.: +971 48 876 612  
 ФАКС: +971 48 876 613  
 sales@hoshizaki.ae

Hoshizaki Deutschland — Германия, Швейцария, Австрия, Польша, Чехия, Словакия  
 ТЕЛ.: +49 5121 697370  
 ФАКС: +49 5121 6973719  
 vertrieb@hoshizaki.de

Hoshizaki Benelux — Нидерланды, Бельгия, Люксембург  
 ТЕЛ.: +31 85 018 83 70  
 info@hoshizaki.nl

Hoshizaki France — Франция  
 ТЕЛ.: +33 1 48 63 93 80  
 ФАКС: +33 1 48 63 93 88  
 info@hoshizaki.fr

Hoshizaki Italia — Италия  
 ТЕЛ.: +39 344 0616467  
 ТЕЛ.: +39 348 3022156  
 info@hoshizaki.it

Hoshizaki Iberia — Испания, Португалия  
 ТЕЛ.: +34 93 478 09 52  
 ФАКС: +34 93 478 08 00  
 info@hoshizaki.es

Hoshizaki Europe B.V. — все остальные страны Европы и Африки  
 ТЕЛ.: +31 20 6918499  
 ФАКС: +31 20 6918768  
 sales@hoshizaki.nl

## Азия, Океания

Hoshizaki Singapore (Сингапур)  
Тел.: +65 6225 2612  
Факс: +65 6225 3219  
sales@hoshizaki.com.sg (Sales)  
serviceadmin@hoshizaki.com.sg (Technical support)

Hoshizaki Hong Kong (Гонконг)  
Тел.: +852 2866 2108  
Факс: +852 2866 2109

Hoshizaki Taiwan (Тайвань)  
Тел.: +886 2 2706 8818  
Факс: +886 2 2708 7999

Hoshizaki Lancer  
Тел.: +61 8 8268 1388  
Факс: +61 8 8268 1978

## ТЕХНИЧЕСКИЕ ХАРАКТЕРИСТИКИ

Модель	IM-130ANE-NC	IM-240ANE-NC
Тип	С воздушным охлаждением, лед кубиками	С воздушным охлаждением, лед кубиками
Источник питания	1-фазный, 220-240 В, 50 Гц	1-фазный, 220-240 В, 50 Гц
Энергопотребление	635 Вт	930 Вт
Производительность за 24 часа	110 кг (5 мм) / 125 кг (15 мм) (окружающая температура 10°C, температура воды 10°C)	195 кг (5 мм) / 210 кг (15 мм) (окружающая температура 10°C, температура воды 10°C)
Габариты	560 мм (Ш) x 700 мм (Г) x 880 мм (В)	560 мм (Ш) x 700 мм (Г) x 880 мм (В)
Хладагент	R290, 110 г	R290, 147 г
Изоляция из пенообразователя	Не применимо	Не применимо
Вес	Нетто: 68 кг (брутто: 79 кг)	Нетто: 78 кг (брутто: 89 кг)
Температура окружающей среды	1 - 40°C	1 - 40°C
Температура подаваемой воды	5 - 35°C	5 - 35°C
Давление в линии подачи воды	0,07 - 0,78 МПа (0,7 - 8 бар)	0,07 - 0,78 МПа (0,7 - 8 бар)
Диапазон напряжений	Номинальное напряжение ± 6%	Номинальное напряжение ± 6%

Модель	IM-240AWNE-NC
Тип	С водяным охлаждением, лед кубиками
Источник питания	1-фазный, 220-240 В, 50 Гц
Энергопотребление	800 Вт
Производительность за 24 часа	190 кг (5 мм) / 205 кг (15 мм) (окружающая температура 10°C, температура воды 10°C)
Габариты	560 мм (Ш) x 700 мм (Г) x 880 мм (В)
Хладагент	R290, 147 г
Изоляция из пенообразователя	Не применимо
Вес	Нетто: 83 кг (брутто: 95 кг)
Температура окружающей среды	1 - 40°C
Температура подаваемой воды	5 - 35°C
Давление в линии подачи воды	0,07 - 0,78 МПа (0,7 - 8 бар)
Диапазон напряжений	Номинальное напряжение ± 6%

Примечание: Вышеуказанные требования являются для представительных моделей.